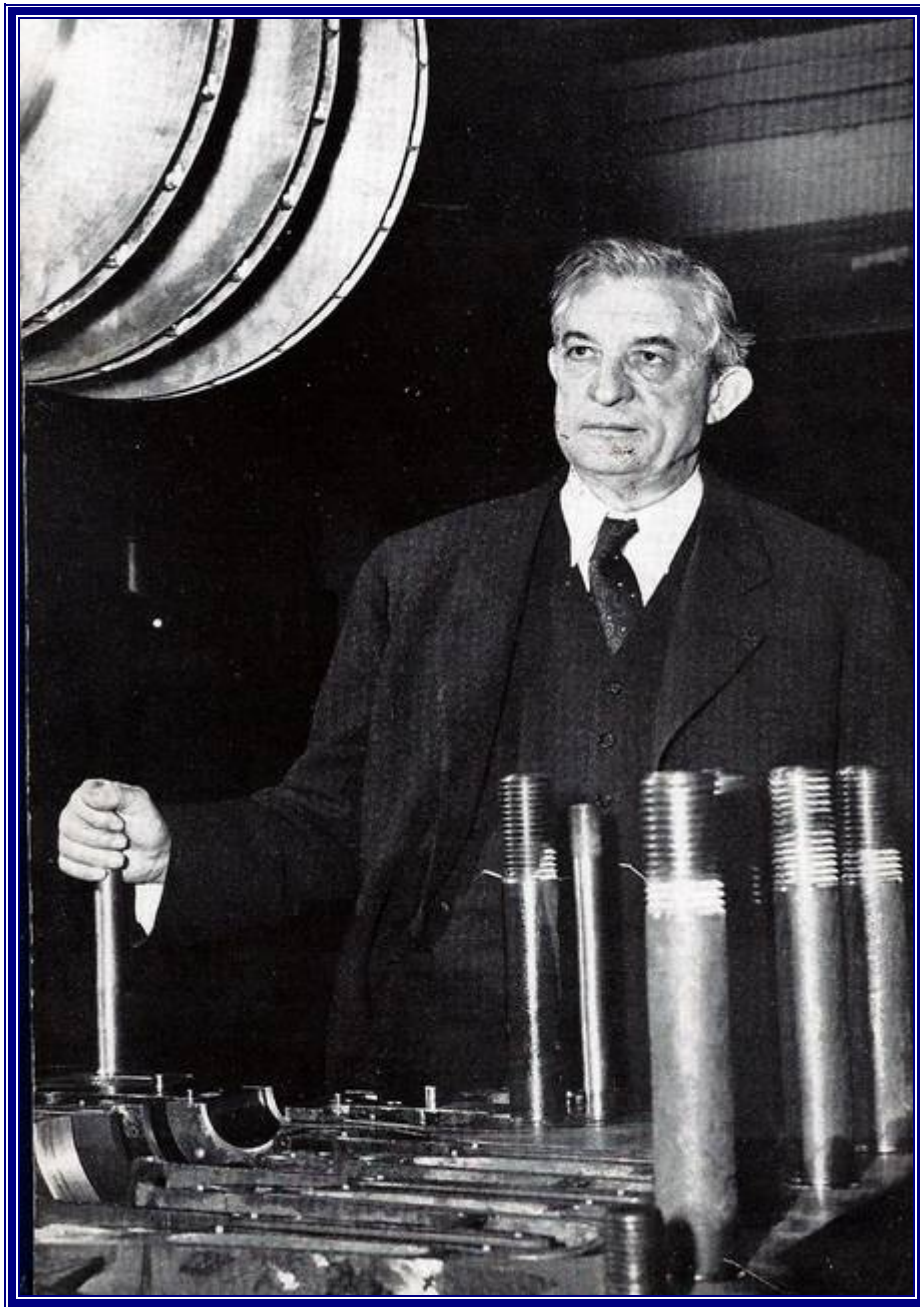


WILLIS HAVILAND CARRIER PATENT DRAWINGS

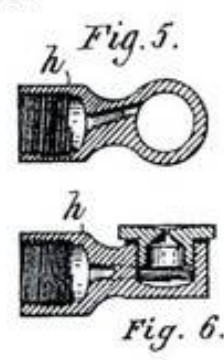
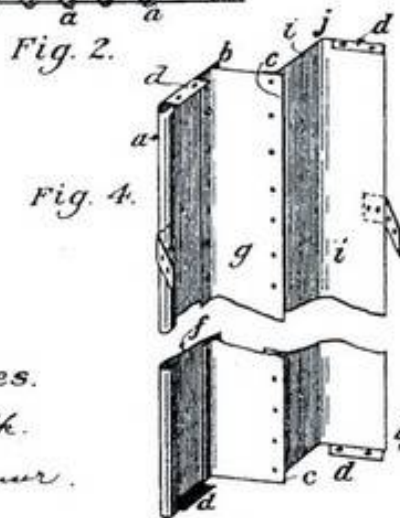
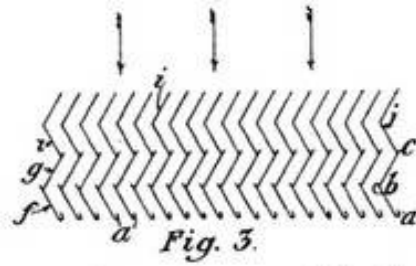
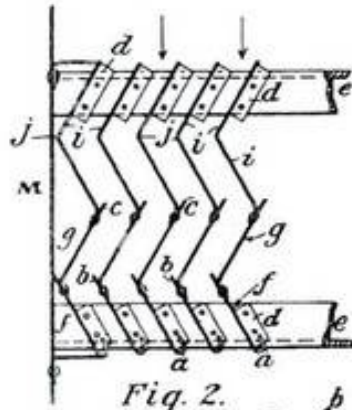
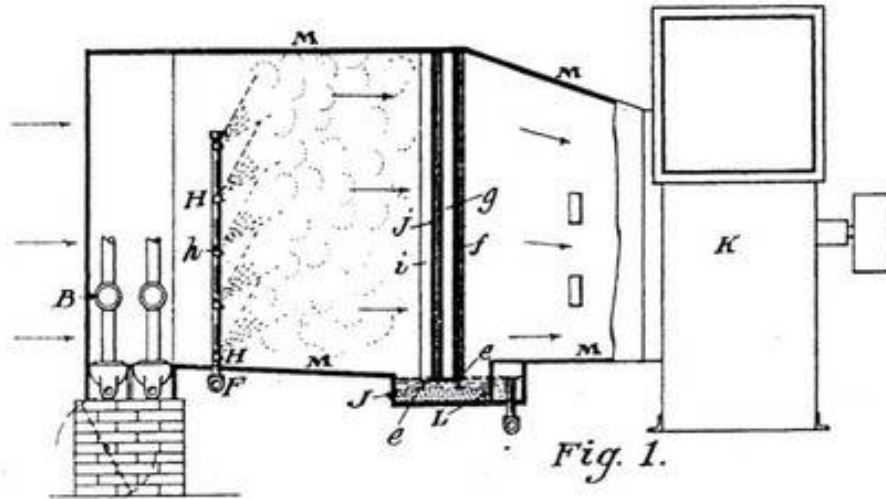
By EurIng Brian Roberts, CIBSE Heritage Group



No. 808,897.

PATENTED JAN. 2, 1906.

W. H. CARRIER.
APPARATUS FOR TREATING AIR.
APPLICATION FILED SEPT. 16, 1904.



Witnesses.
E. A. Volk.
R. W. Pomeroy.

Inventor.
Willis H. Carrier
by Wilhelm Parker & Hard
Attorneys

W. H. CARRIER.
METHOD OF HEATING AND HUMIDIFYING AIR.
APPLICATION FILED JULY 16, 1906.

2 SHEETS-SHEET 1.

Fig. 1.

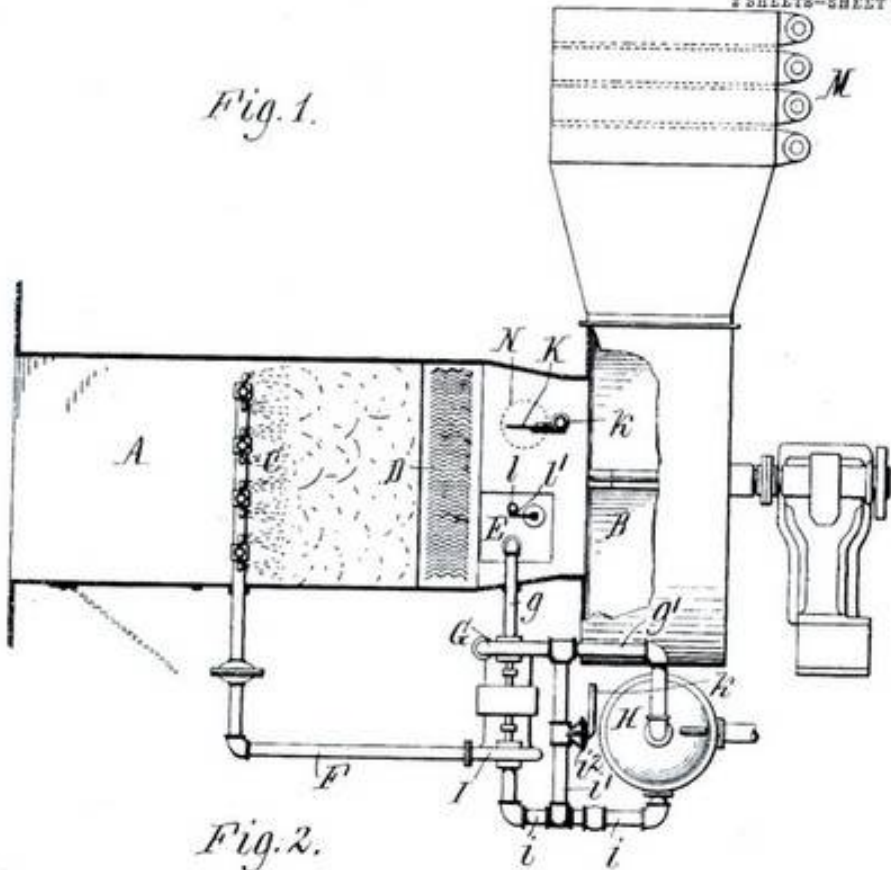
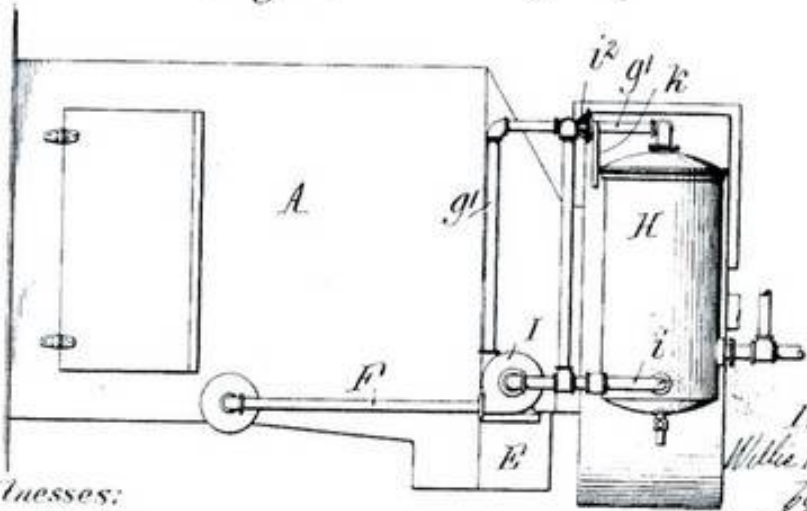


Fig. 2.



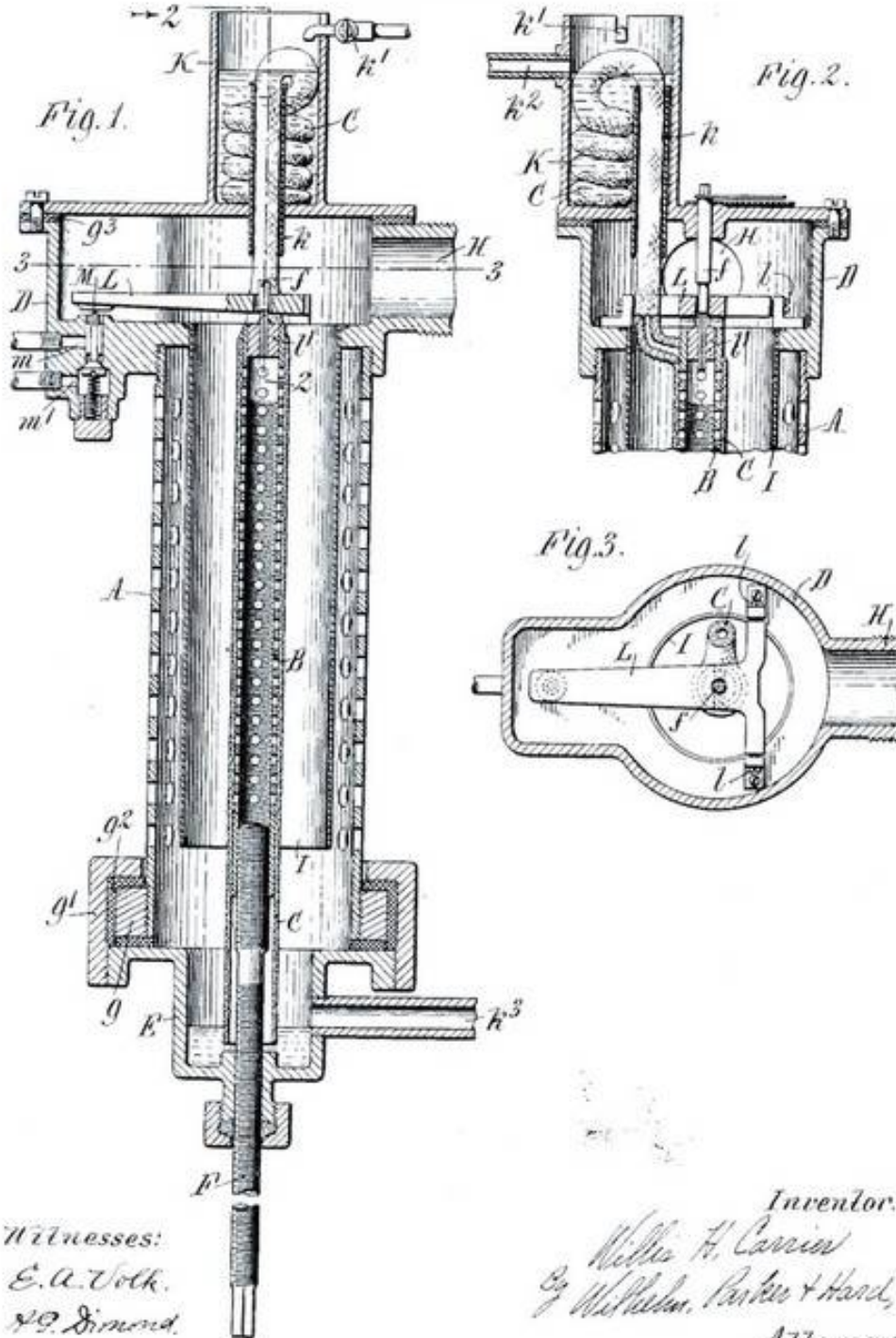
Witnesses:
E. L. Vick
A. S. Diamond

Inventor
W. H. Carrier
by
W. L. Baker & Hard
Attorneys.

No. 896,690.

PATENTED AUG. 18, 1908.

W. H. CARRIER.
DIFFERENTIAL THERMOSTAT.
APPLICATION FILED OCT. 11, 1907.



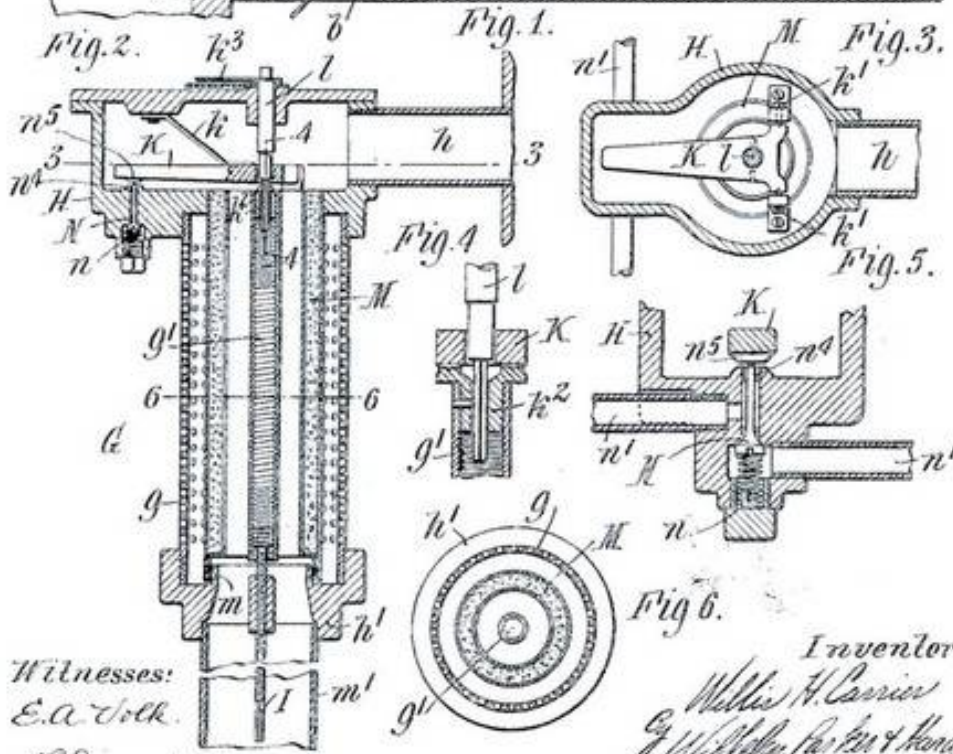
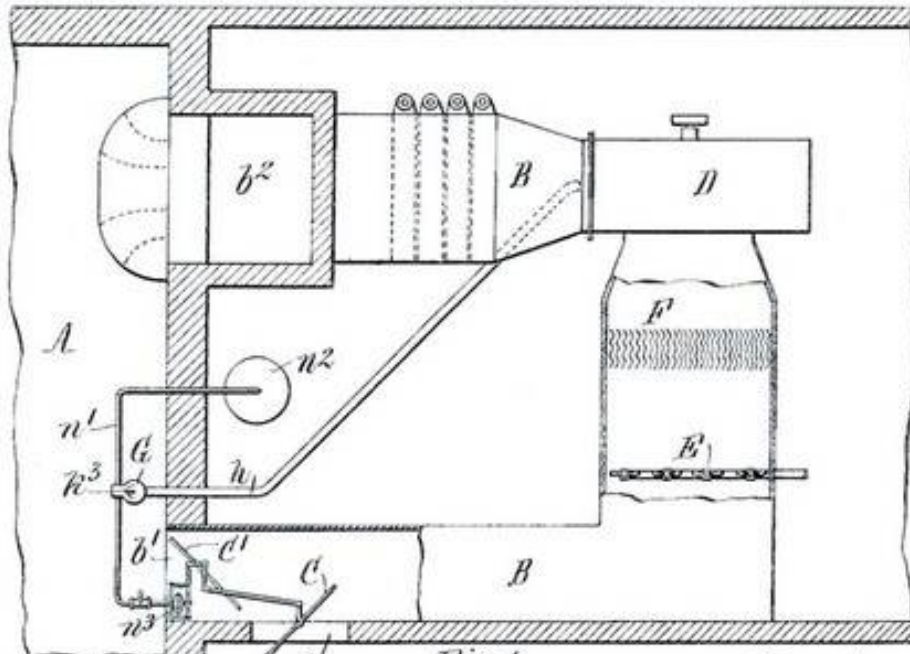
Witnesses:
E. A. Volk.
W. G. Diamond.

Inventor:
Willis H. Carrier
By *Wm. H. Parker & Hand,*
Attorneys

W. H. CARRIER.
 DIFFERENTIAL THERMOSTAT.
 APPLICATION FILED OCT. 11, 1907.

902,713.

Patented Nov. 3, 1908.



Witnesses:
 E. A. Volk.
 H. E. Dimond.

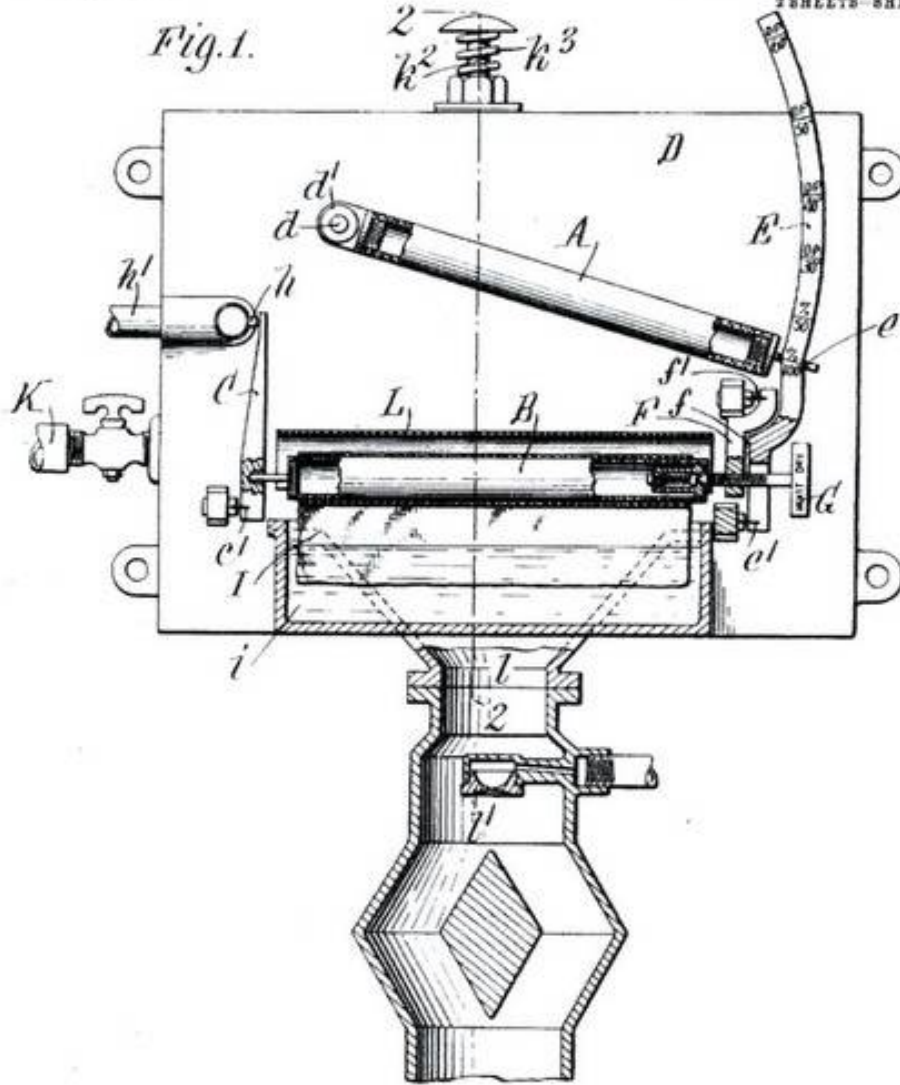
Inventor.
 W. H. Carrier
 G. W. Miller, Parker & Mond,
 Attorneys.

W. H. CARRIER & E. W. COMFORT.
 THERMOSTATIC REGULATING DEVICE.
 APPLICATION FILED SEPT. 28, 1908.

929,655.

Patented Aug. 3, 1909.

2 SHEETS - SHEET 1.



Witnesses:
 E. A. Volk.
 A. S. Dimond.

Inventors.
 Willis H. Carrier,
 Edward W. Comfort,
 by Will Miller, Parker & Ward,
 Attorneys.

1,078,608.

W. H. CARRIER.
AIR COOLING APPARATUS.
APPLICATION FILED JAN. 19, 1912.

Patented Nov. 18, 1913.
2 SHEETS-SHEET 1.

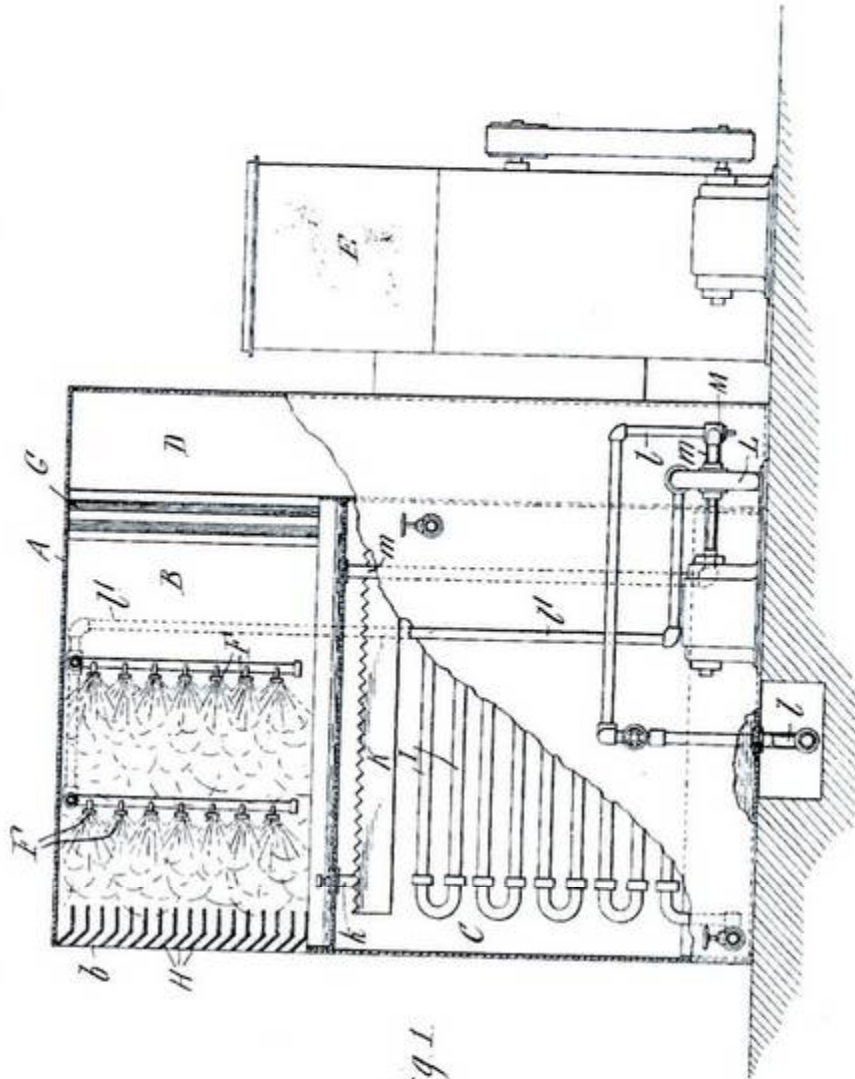


Fig. 1.

Witnesses
A. S. Dimond.
A. Borkenhagen

Inventor:
Willis H. Carrier.
By Wilhelm Fester Hand,
Attorneys.

W. H. CARRIER.
 METHOD OF AND APPARATUS FOR DRYING, CONDITIONING, AND REGULATING THE MOISTURE
 CONTENT OF HYGROSCOPIC MATERIALS.

1,393,086.

Patented Oct. 11, 1921.

3 SHEETS—SHEET 1.

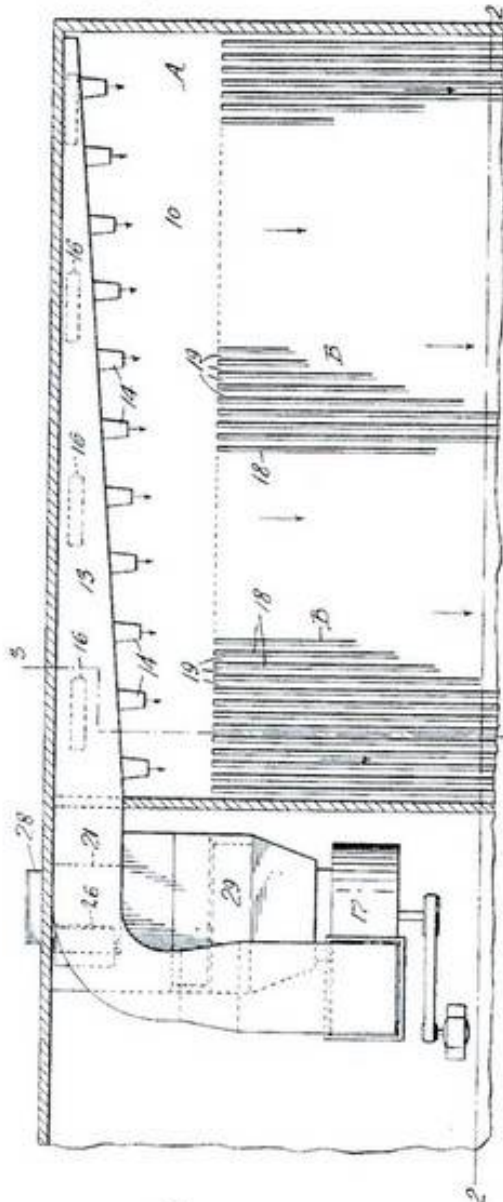


Fig. 1.

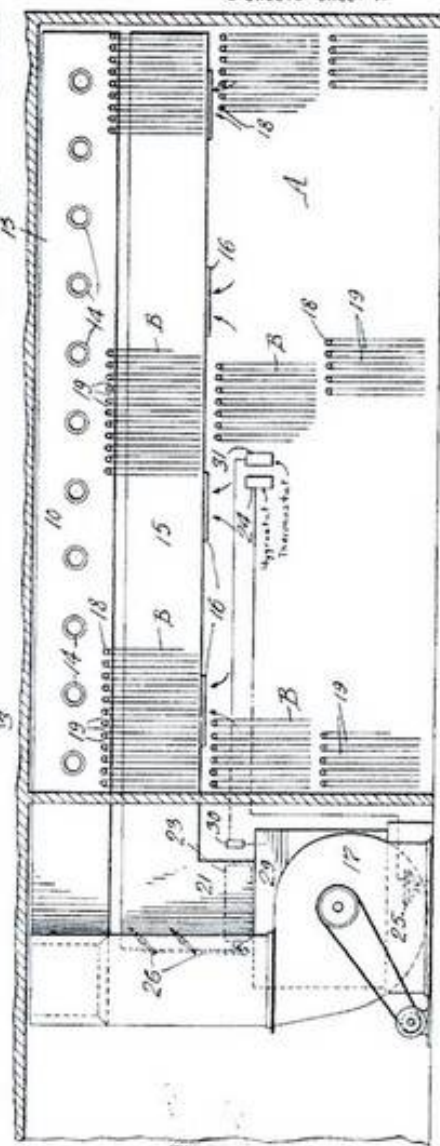


Fig. 2.

Inventor:
 Willis H. Carrier.
 By Nicholas Parker.
 Attorneys.

Jan. 12, 1926.

1,569,214

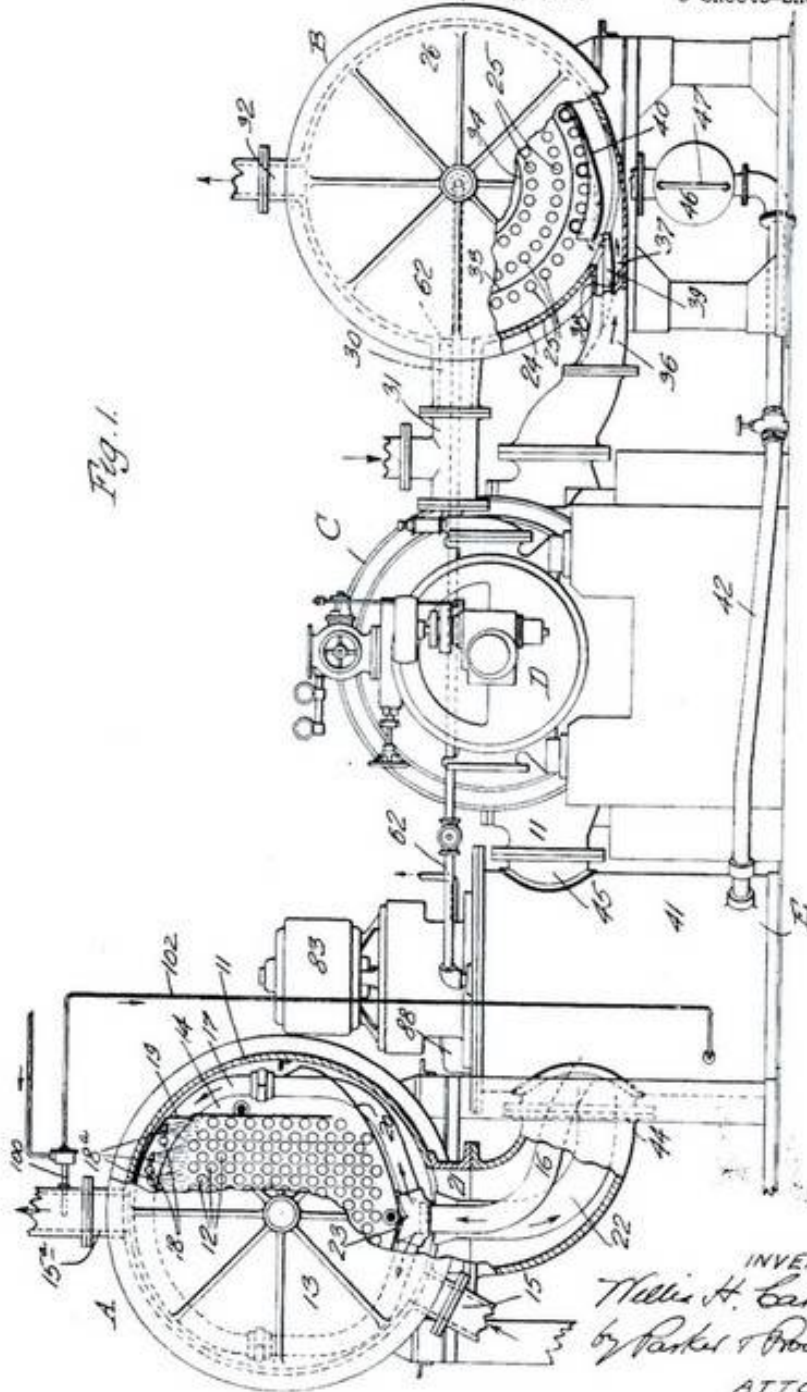
W. H. CARRIER

REFRIGERATING SYSTEM

Filed Sept. 2, 1922

5 Sheets-Sheet 1

Fig. 1.



INVENTOR
W. H. Carrier
by Parker & Rockwood,
ATTORNEYS.

March 9, 1926.

1,575,817

W. H. CARRIER
REFRIGERATING SYSTEM

Filed Feb. 2, 1921

4 Sheets-Sheet 1

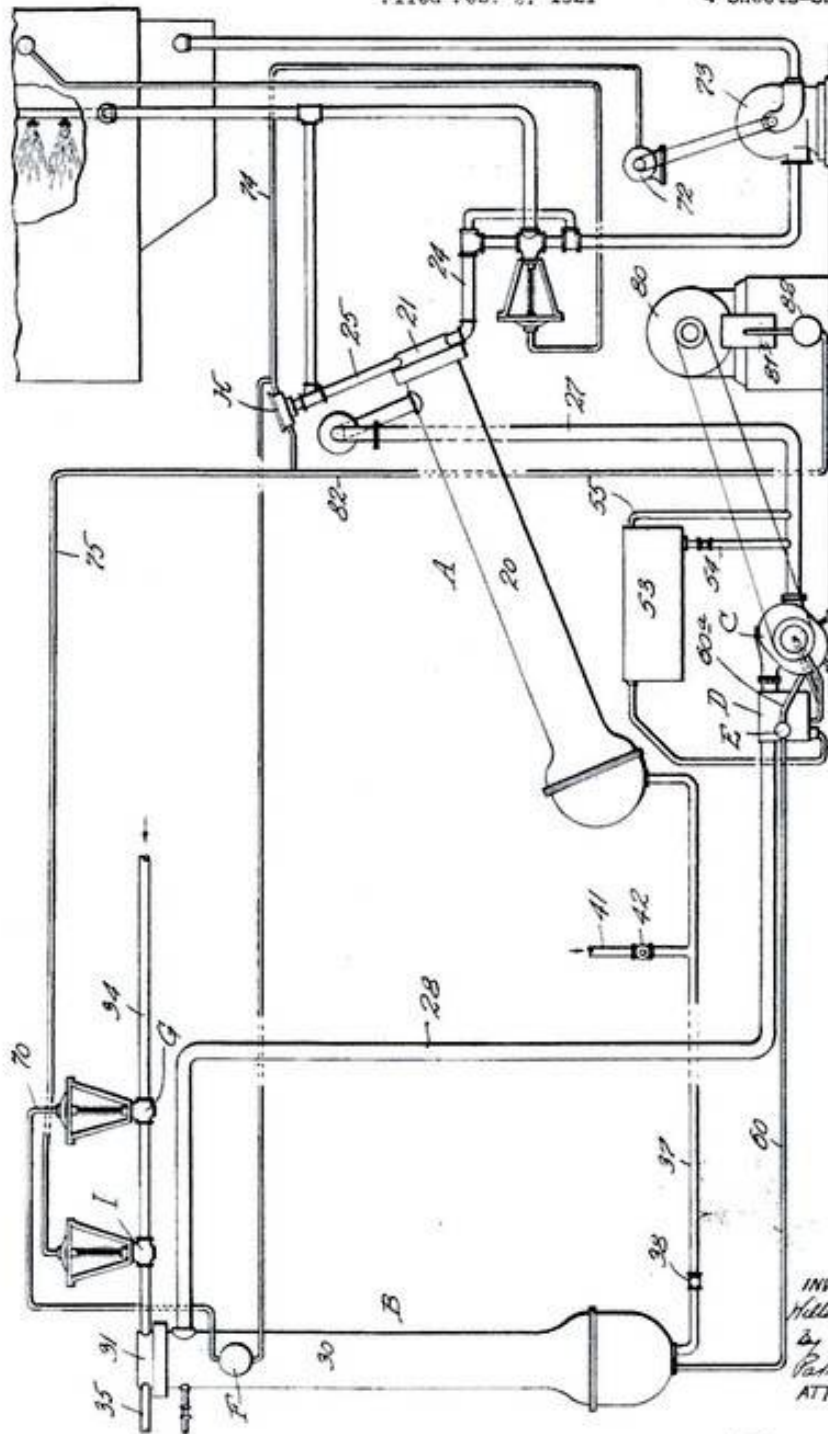


Fig. 1.

INVENTOR
Willis H. Carrier
By
Patrick A. Richard
ATTORNEYS

March 9, 1926.

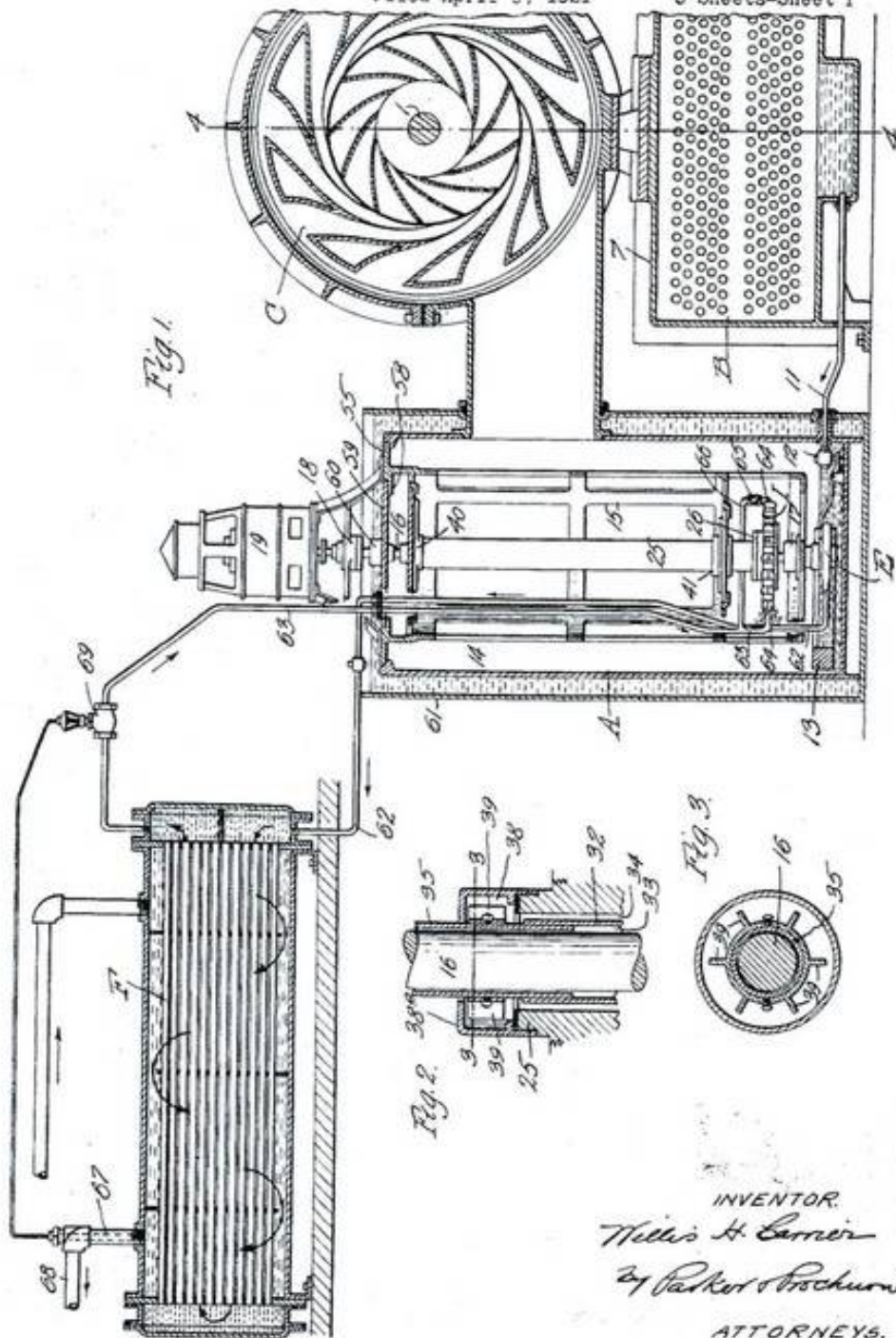
1,575,819

W. H. CARRIER

REFRIGERATING SYSTEM

Filed April 5, 1921

3 Sheets-Sheet 1



INVENTOR.
W. H. Carrier
By Parker & Prochman.
ATTORNEYS.

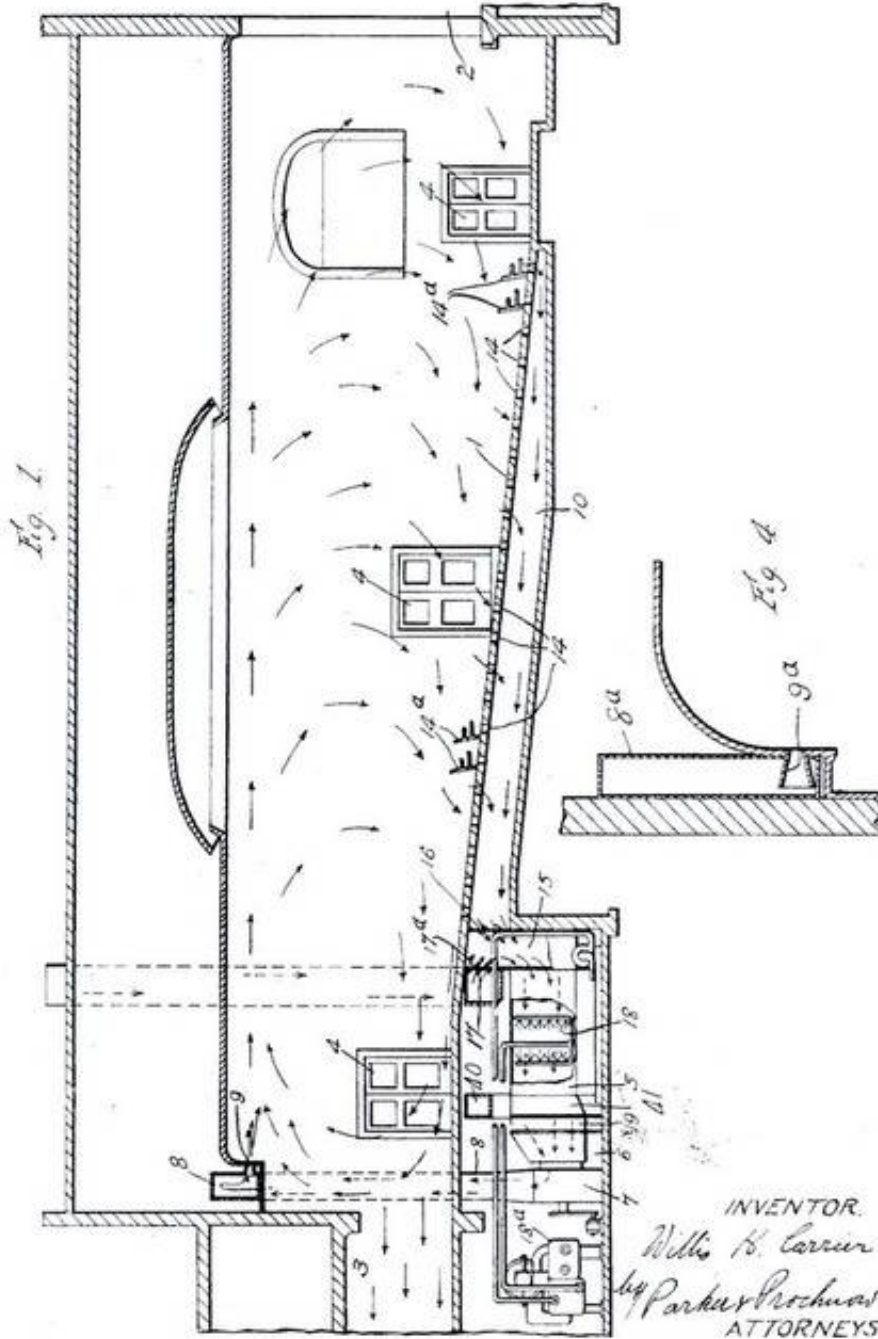
Sept. 16, 1930.

W. H. CARRIER
METHOD AND SYSTEM FOR VENTILATING AND ATTEMPERATING
AUDITORIUMS AND THE LIKE

1,775,749

Filed June 22, 1927

3 Sheets-Sheet 1.



INVENTOR.
Willis H. Carrier
by Parker & Prochman
ATTORNEYS