

US PATENTS
AIR FILTERS 1866-1940

WHELPLEY & STORER.

Apparatus for Removing Dust and Gases from Air.

No. 53,068.

Patented March 6, 1866.

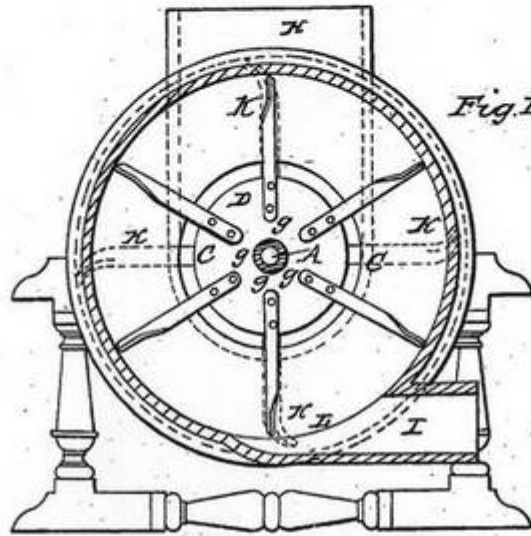


Fig. 1

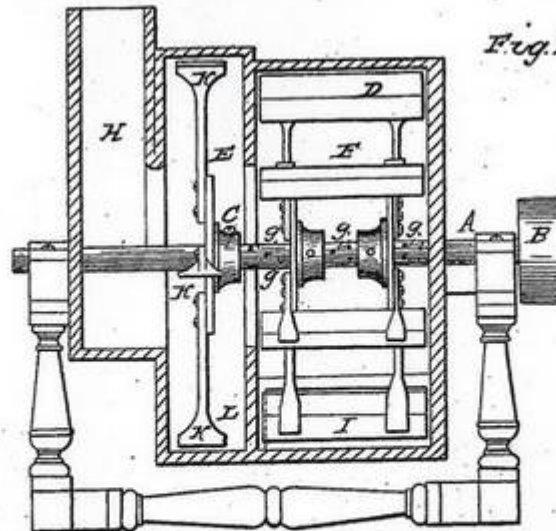


Fig. 2

Witnesses.
H. H. Copeland
Thos Wm Clarke

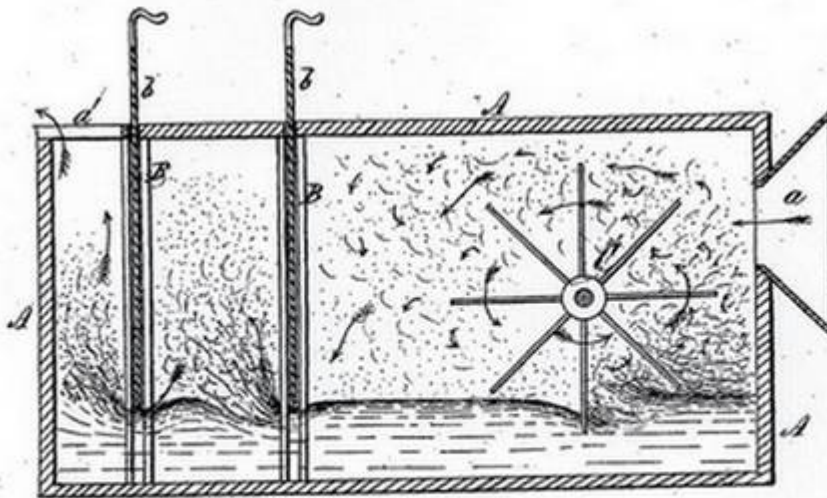
Inventors
James D. Whelpley
Jacob J. Storer

L. K. FULLER.

Ventilators and Dust-Arresters.

No. 131,266.

Patented Sep. 10, 1872.



Witnesses:

Thos. A. Weston.
Charles M. Higgins

Inventor:

Lewis K. Fuller.
Per Burke & Fraser
Attys

(No Model.)

2 Sheets—Sheet 1.

F. WINDHAUSEN.

APPARATUS FOR PURIFYING AIR AND GAS.

No. 306,040.

Patented Sept. 30, 1884.

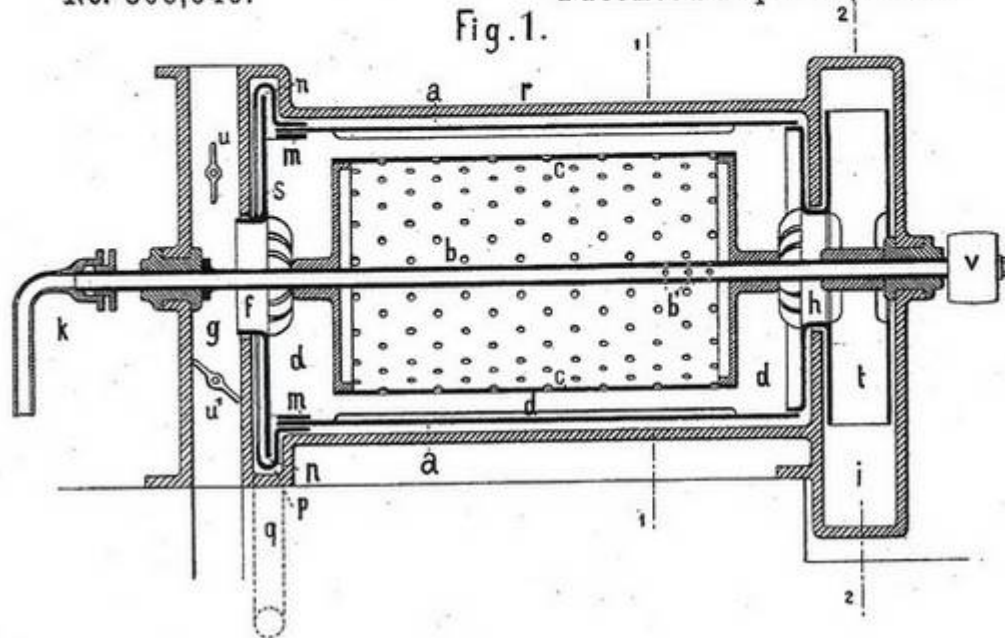


Fig. 1.

Fig. 3.

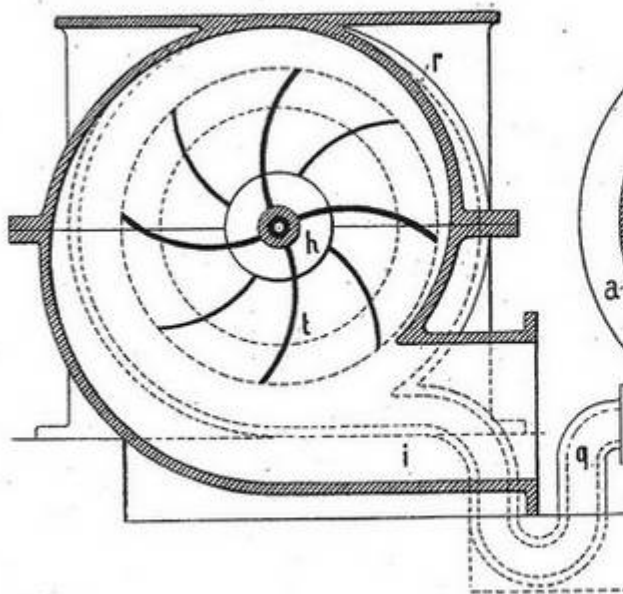
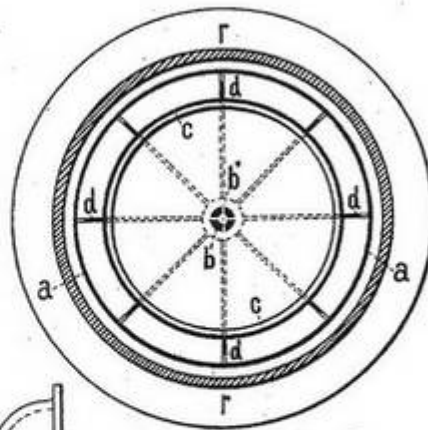


Fig. 2.



Attest:
Charles Buckley
Goldsmith

Inventor:
Franz Windhausen
By Knight Bros
Lawyers

No. 655,285.

Patented Aug. 7, 1900.

R. H. THOMAS.
AIR PURIFYING APPARATUS.

(Application filed Apr. 20, 1900.)

(No Model.)

2 Sheets—Sheet 1.

Fig. 1.

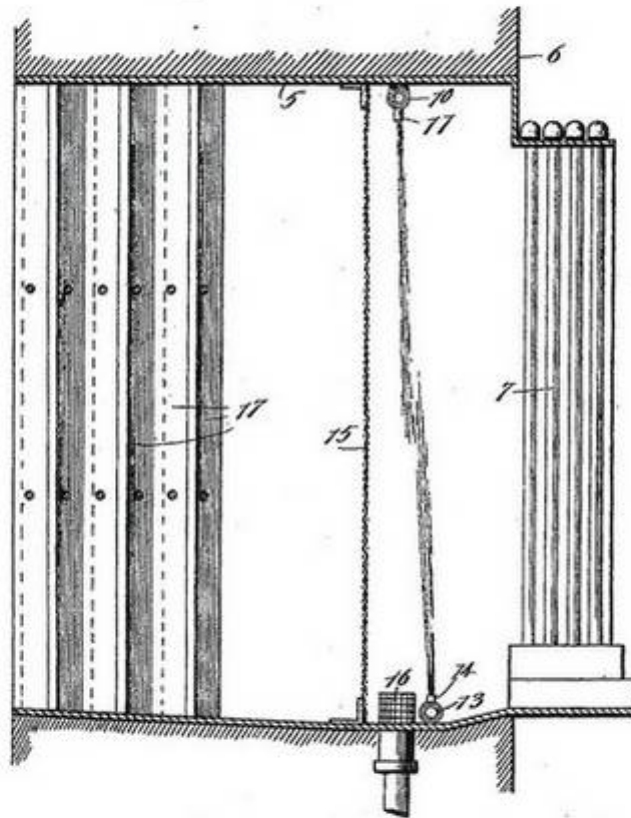
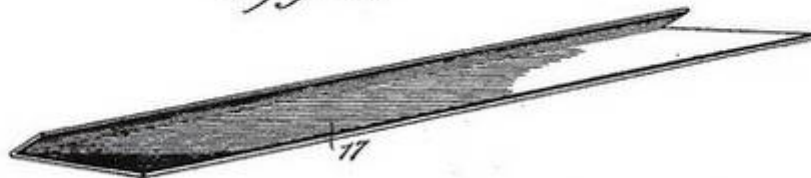


Fig. 2.



Witnesses
C. H. Walker
J. H. Chandler.

R. H. Thomas Inventor
by *C. A. Snow & Co.*
Attorneys

No. 679,587.

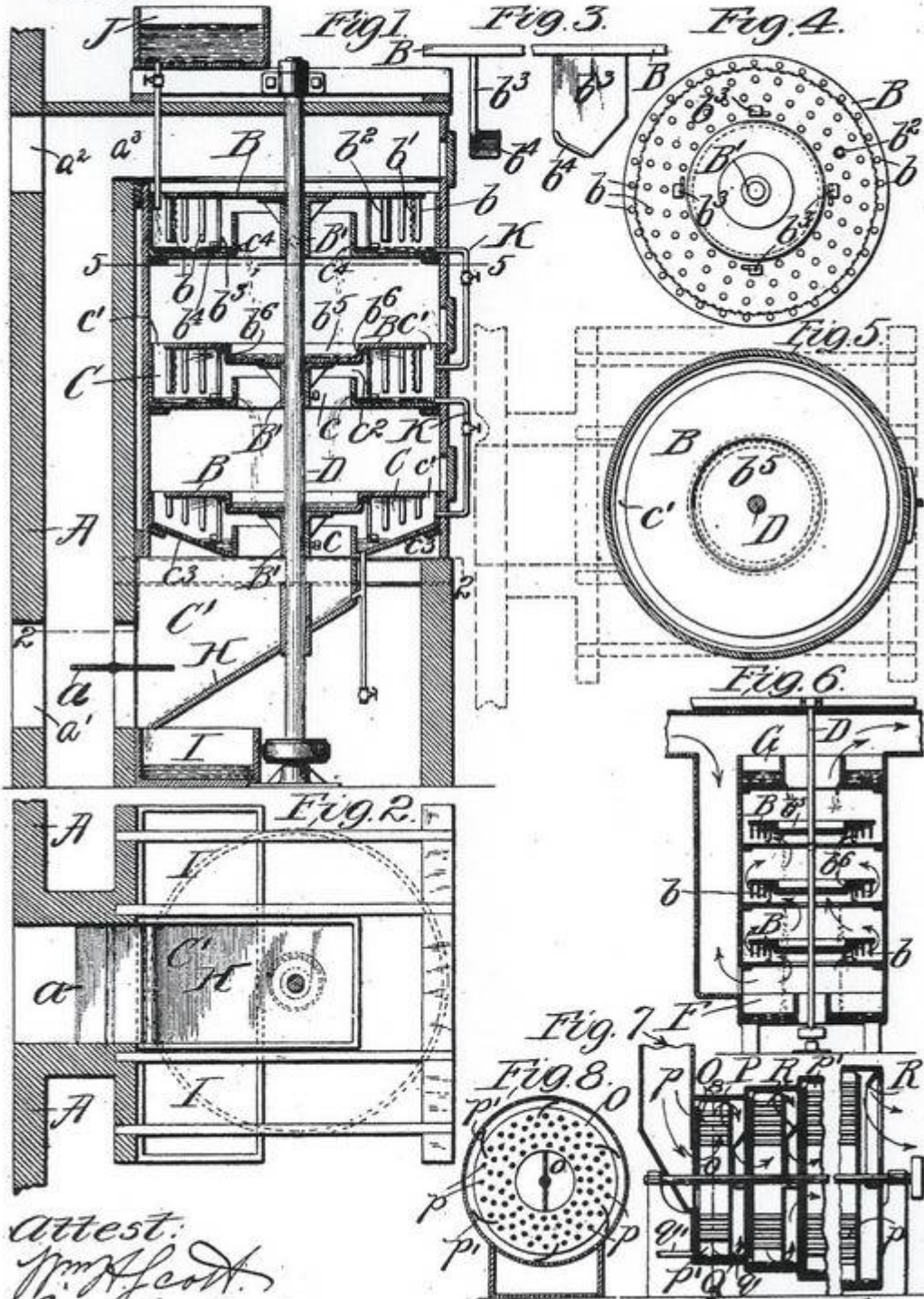
Patented July 30, 1901.

J. ZELLWEGER.

APPARATUS FOR COLLECTING GASES, VAPORS, AND FOREIGN PARTICLES FROM AIR.

(Application filed Sept. 26, 1899.)

(No Model.)



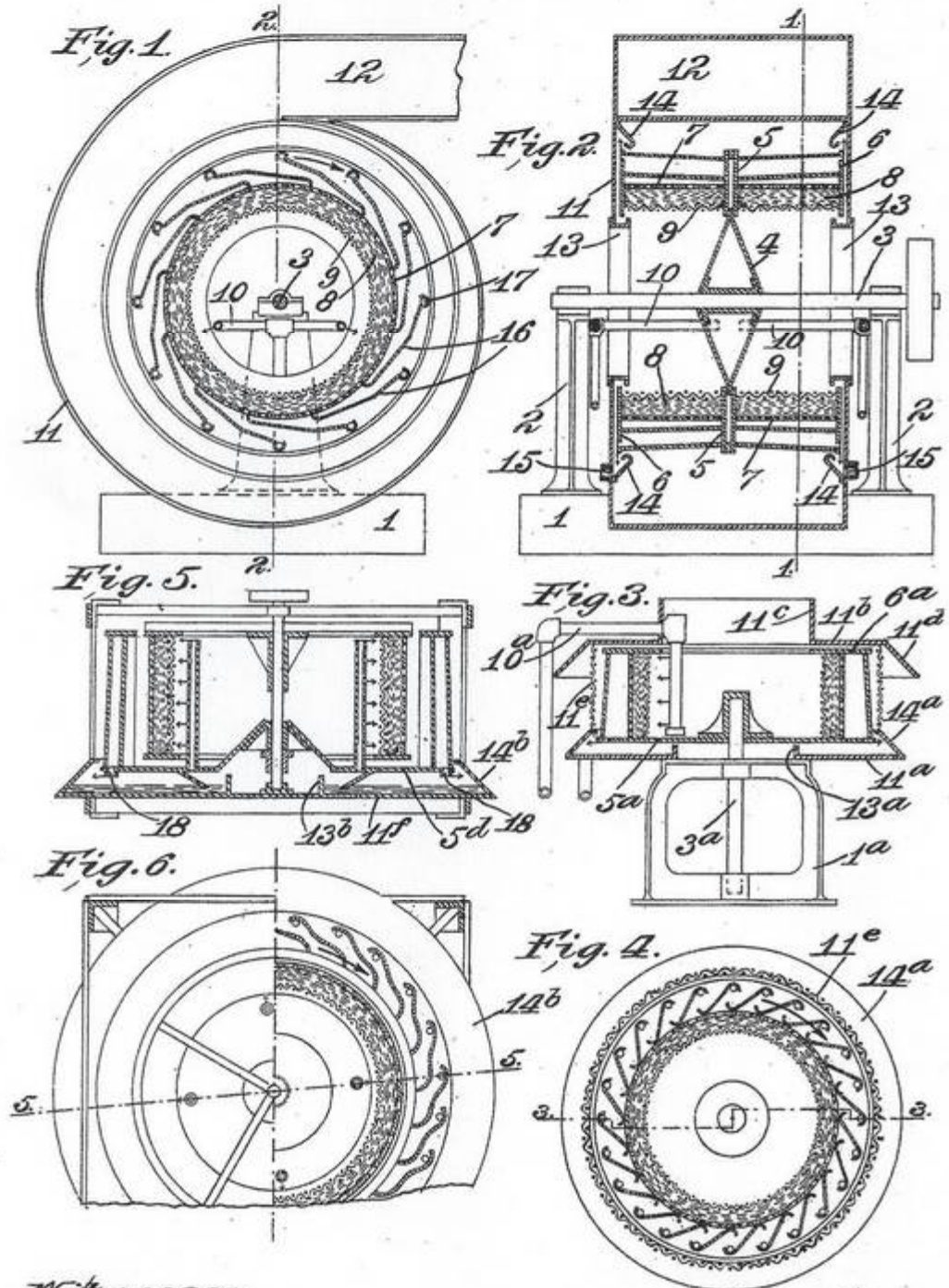
Attest:
J. M. H. Scott.
George Bakewell

Inventor:
John Zellweger.
by Bakewell & Company
Attorneys

No. 789,247.

PATENTED MAY 9, 1905.

J. ZELLWEGER.
AIR FILTER AND COOLER.
APPLICATION FILED AUG. 13, 1904.



Witnesses:
G. A. Pennington
Wm. H. H. H.

Inventor:
John Zellweger,
by Patience & Cornwall
Attys.

Sept. 13, 1938.

G. W. PENNEY

2,129,783

ELECTRICAL PRECIPITATOR FOR ATMOSPHERIC DUST

Filed Oct. 15, 1935

3 Sheets-Sheet 1

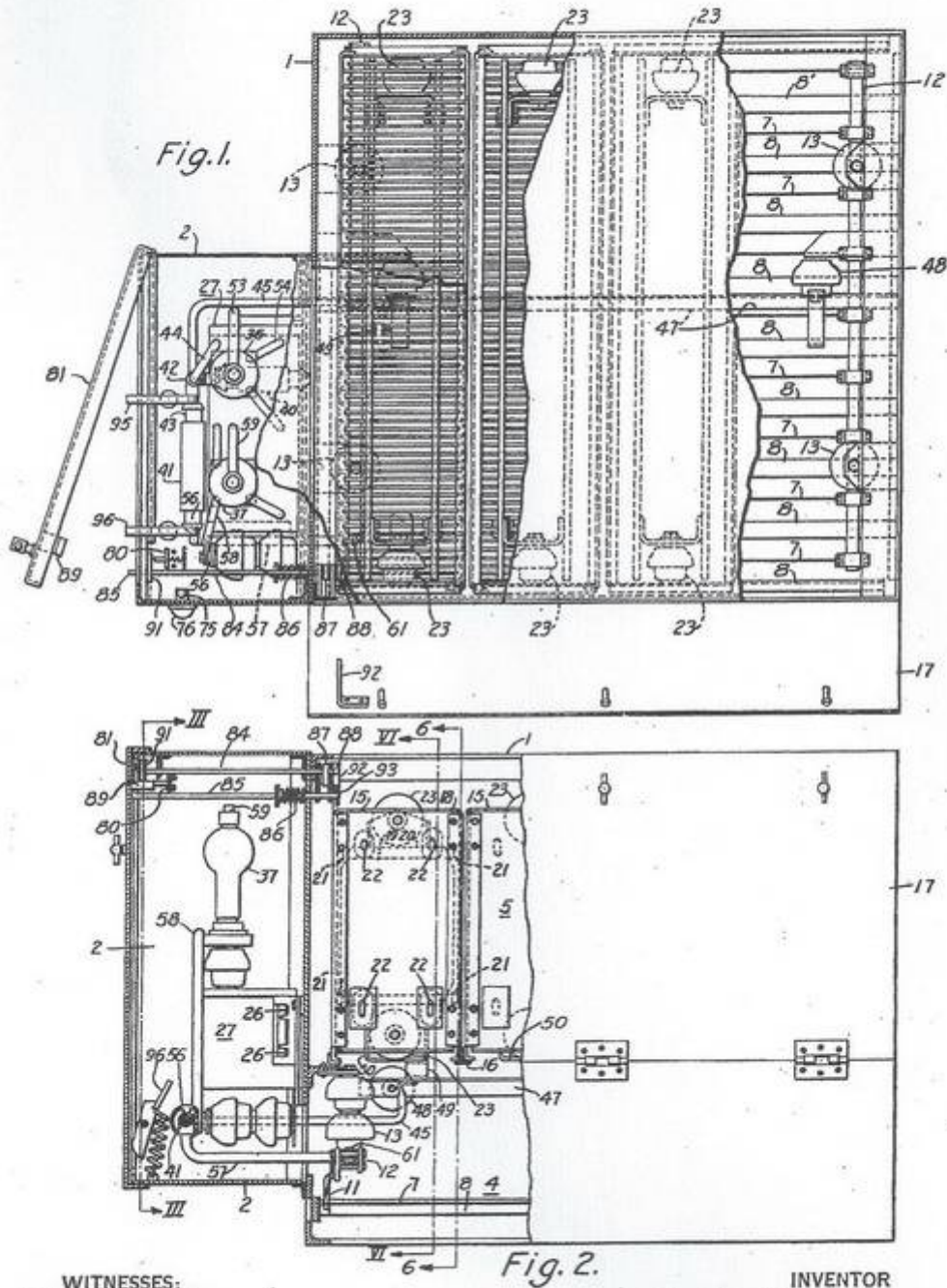


Fig. 1.

Fig. 2.

WITNESSES:
Prod. C. Millan
Wm. C. Groome

INVENTOR
Gaylord W. Penney
BY *O. B. Buchanan*
ATTORNEY

Sept. 17, 1940.

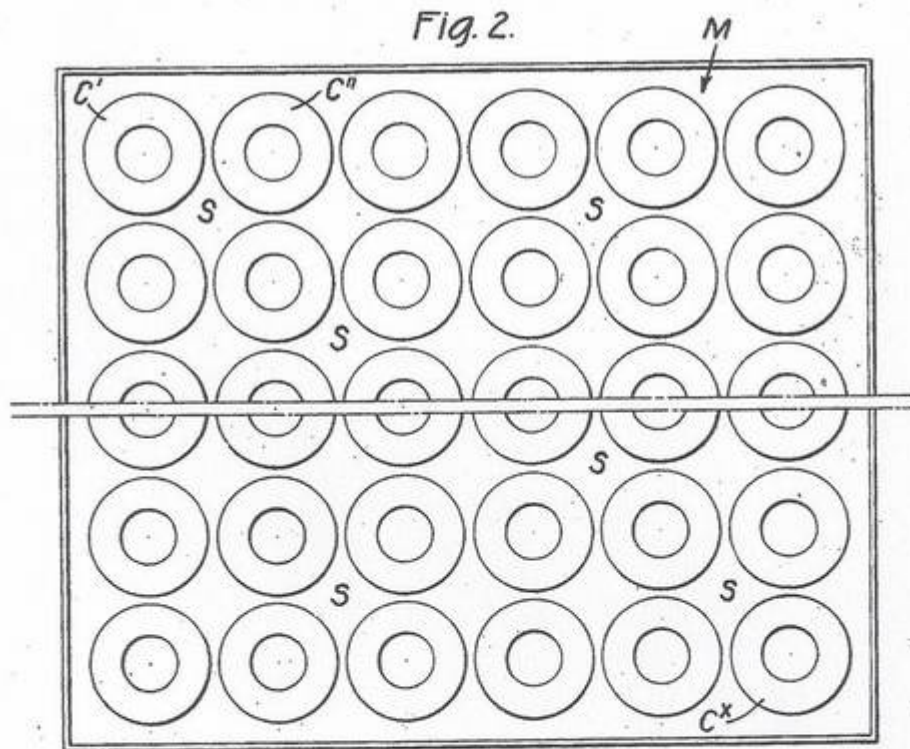
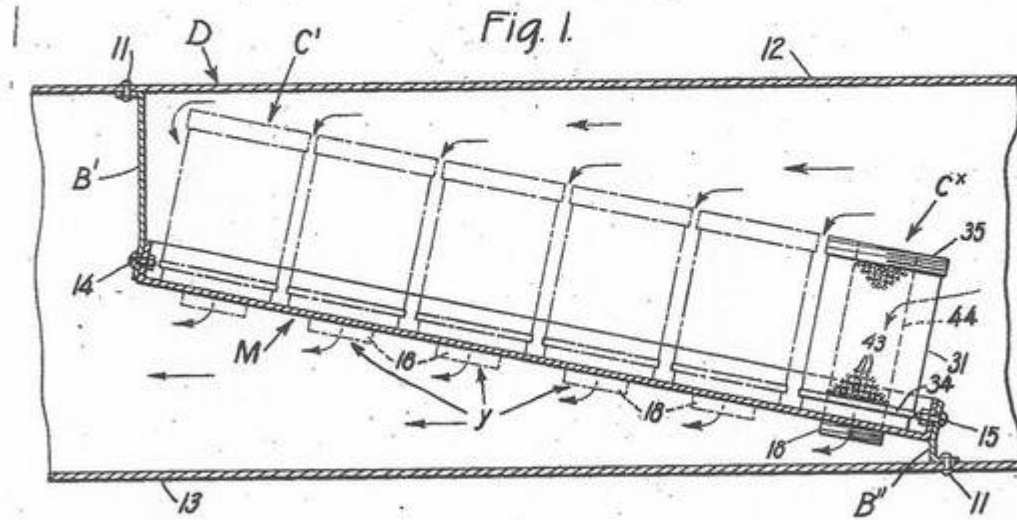
G. S. DAUPHINEE

2,214,737

AIR PURIFICATION

Filed Sept. 3, 1936

2 Sheets-Sheet 1



INVENTOR.
George S. Dauphinee
BY *Moses & Nolte*
ATTORNEYS