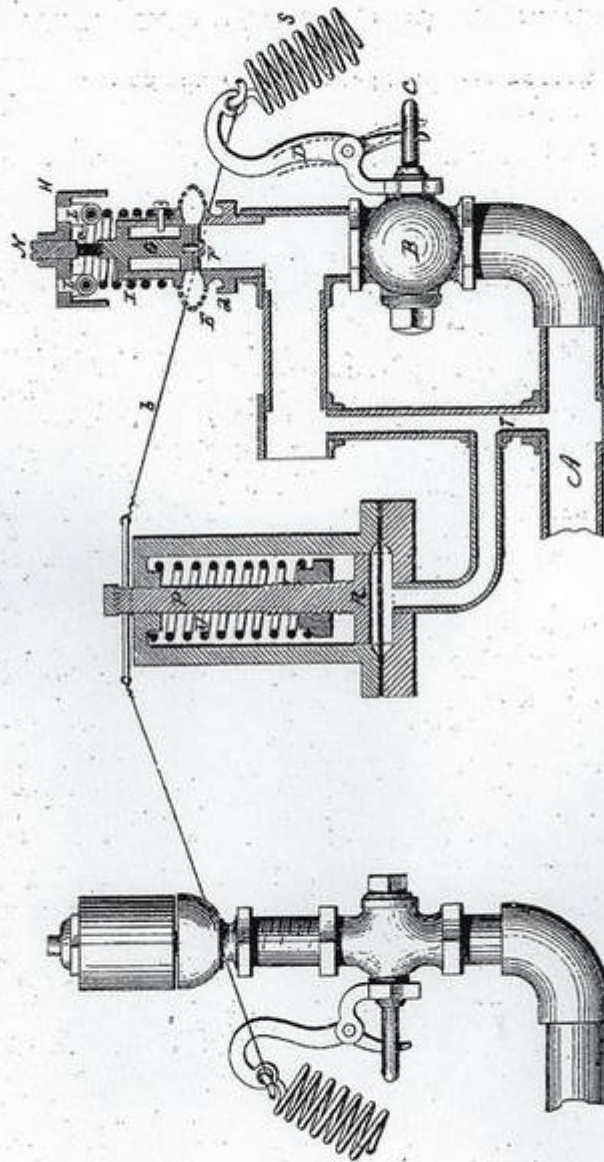


US PATENTS  
FIRE PROTECTION 1874-1935

H. S. PARMELEE.  
Fire-Extinguishers.

No. 154,076.

Patented Aug. 11, 1874.



Witnesses.  
J. H. Conway  
A. J. Tibbitts

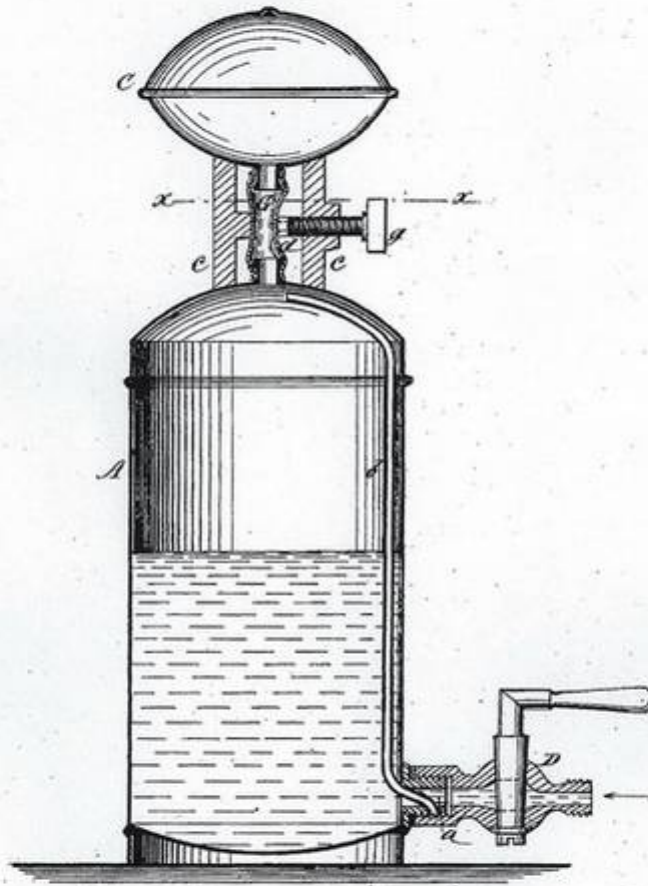
Henry S. Parmelee  
Inventor  
By acty.  
J. H. Conway

C. C. HEARLE.  
HYDRO-PNEUMATIC FIRE-EXTINGUISHERS.

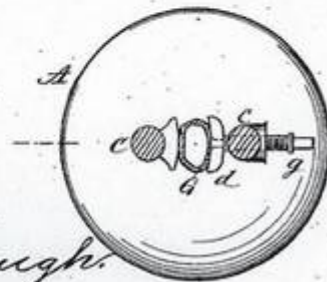
No. 194,597.

Patented Aug. 28, 1877.

*Fig. 1*



*Fig. 2*



WITNESSES:

*C. Novus*  
*J. H. Scarborough*

INVENTOR:

*C. C. Hearle*

BY

*Munnell*

ATTORNEYS.

H. S. PARMELEE.  
Automatic Fire-Extinguisher.

No. 218,564.

Patented Aug. 12, 1879.

Fig. 1.

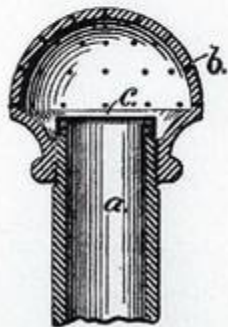


Fig. 2.

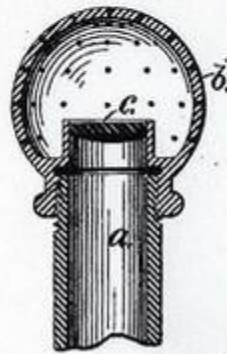
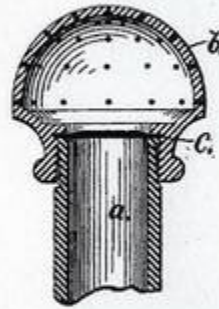


Fig. 3.



Fig. 4.



WITNESSES:

Chas. G. Ladd  
William L. Coop.

INVENTOR:

Henry S. Parmelee  
by Joseph A. Miller  
Attorney

(No Model.)

2 Sheets—Sheet 1.

E. TICE.

MODE OF SECURING FIRE HOSE ON A LADDER.

No. 306,442.

Patented Oct. 14, 1884.

Fig. 1.

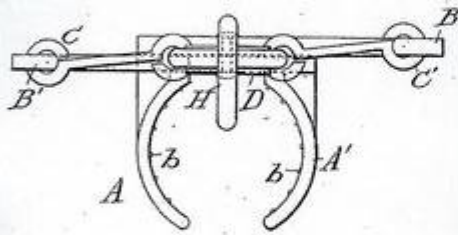


Fig. 2.

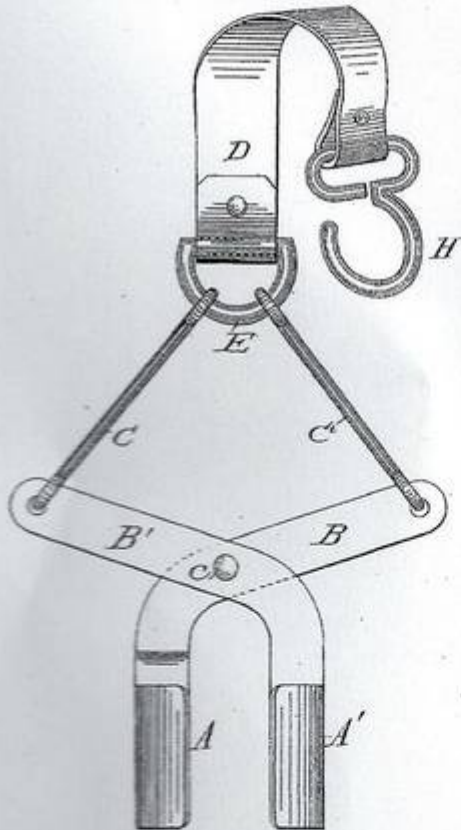
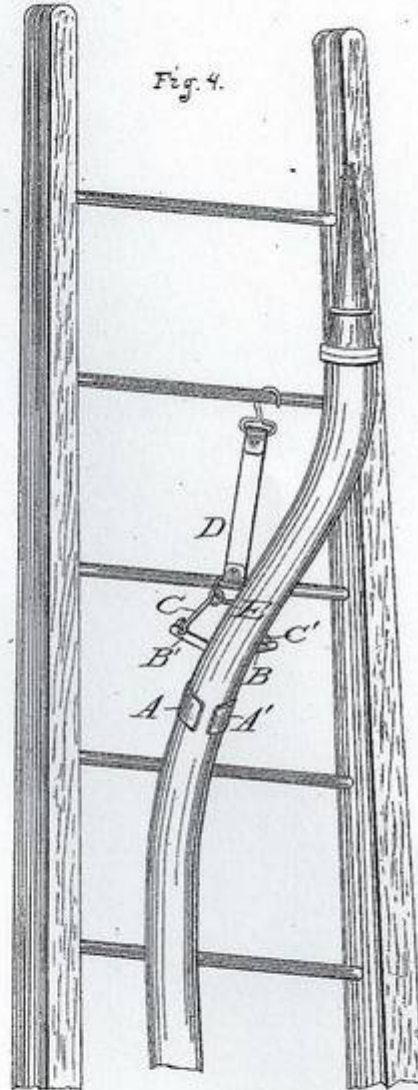


Fig. 4.



Witnesses.

W. B. Van Voorhis.  
W. P. Robinson.

Inventor.

Edward Tice  
By A. S. Robinson,  
Attorney.

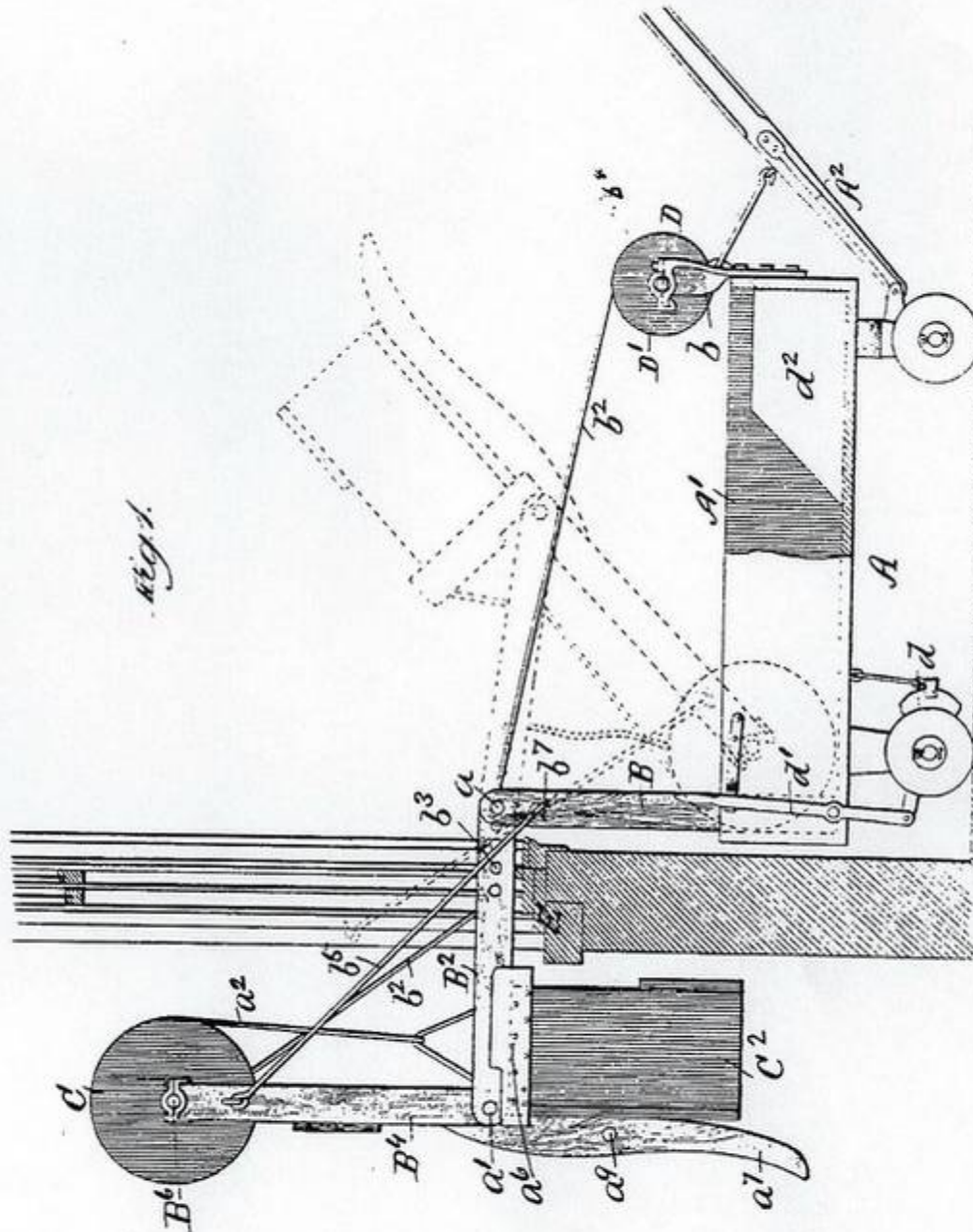
(No model.)

3 Sheets—Sheet 1.

D. McCREE.  
PORTABLE FIRE ESCAPE.

No. 440,322.

Patented Nov. 11, 1890.



Witnesses:  
*[Signature]*  
L. M. Truman.

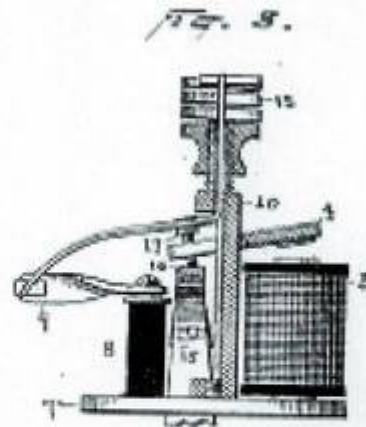
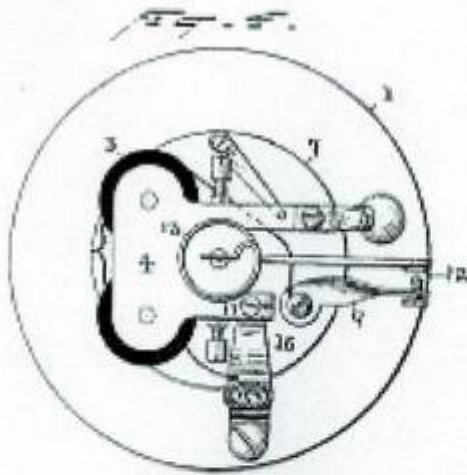
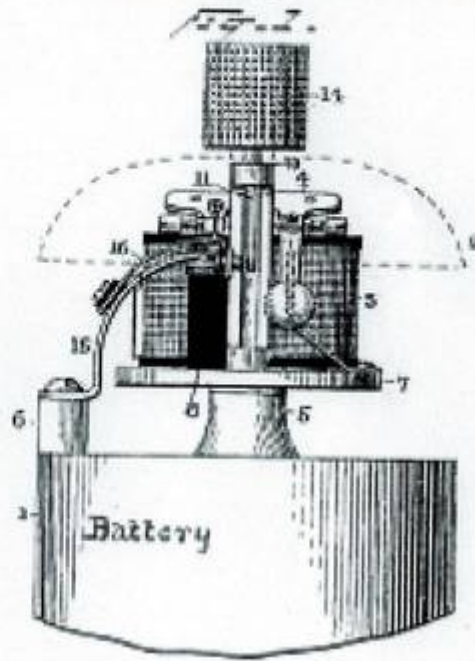
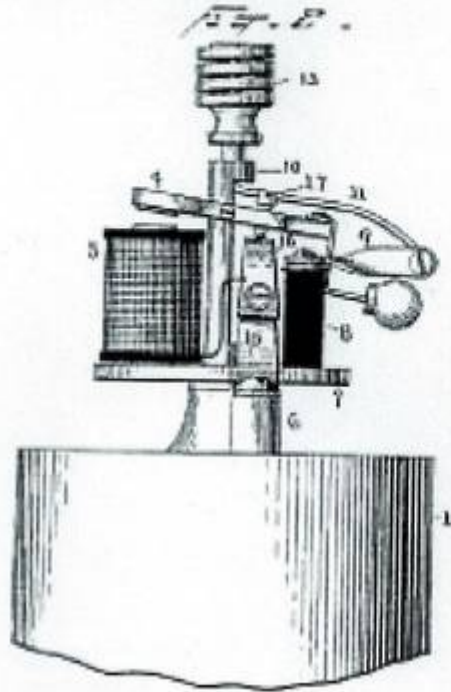
Inventor:  
Daniel McCree.  
By *[Signature]* L. B. Coupland & Co  
ATTORNEYS

(No Model.)

F. R. UPTON & F. J. DIBBLE.  
PORTABLE ELECTRIC FIRE ALARM.

No. 436,961.

Patented Sept. 23, 1890.



WITNESSES:

Thomas A. Clark  
Charles M. Cottin

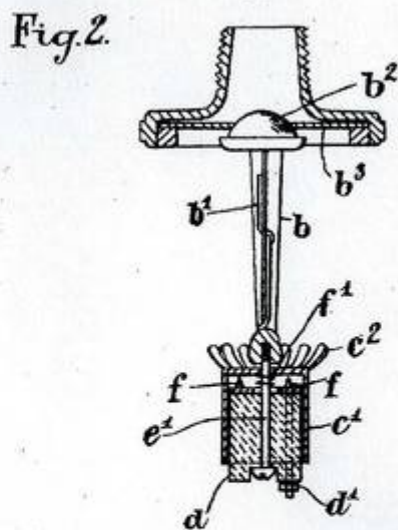
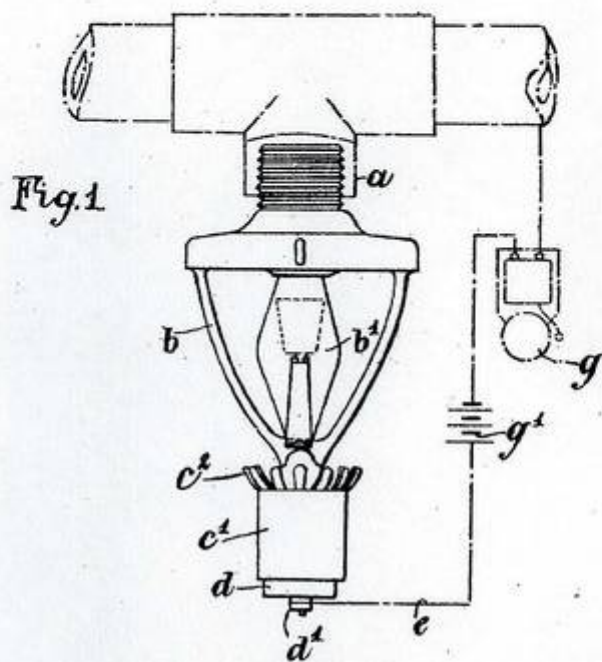
INVENTORS

F. R. Upton & F. J. Dibble.  
BY  
Syr & Seely,  
ATTORNEYS

A. D. CLARKE.  
FIRE EXTINGUISHING SPRINKLER.  
APPLICATION FILED NOV. 16, 1920.

1,365,967.

Patented Jan. 18, 1921.



Inventor  
Alfred Dale Clarke

Attorney

*W. H. Haddaway*

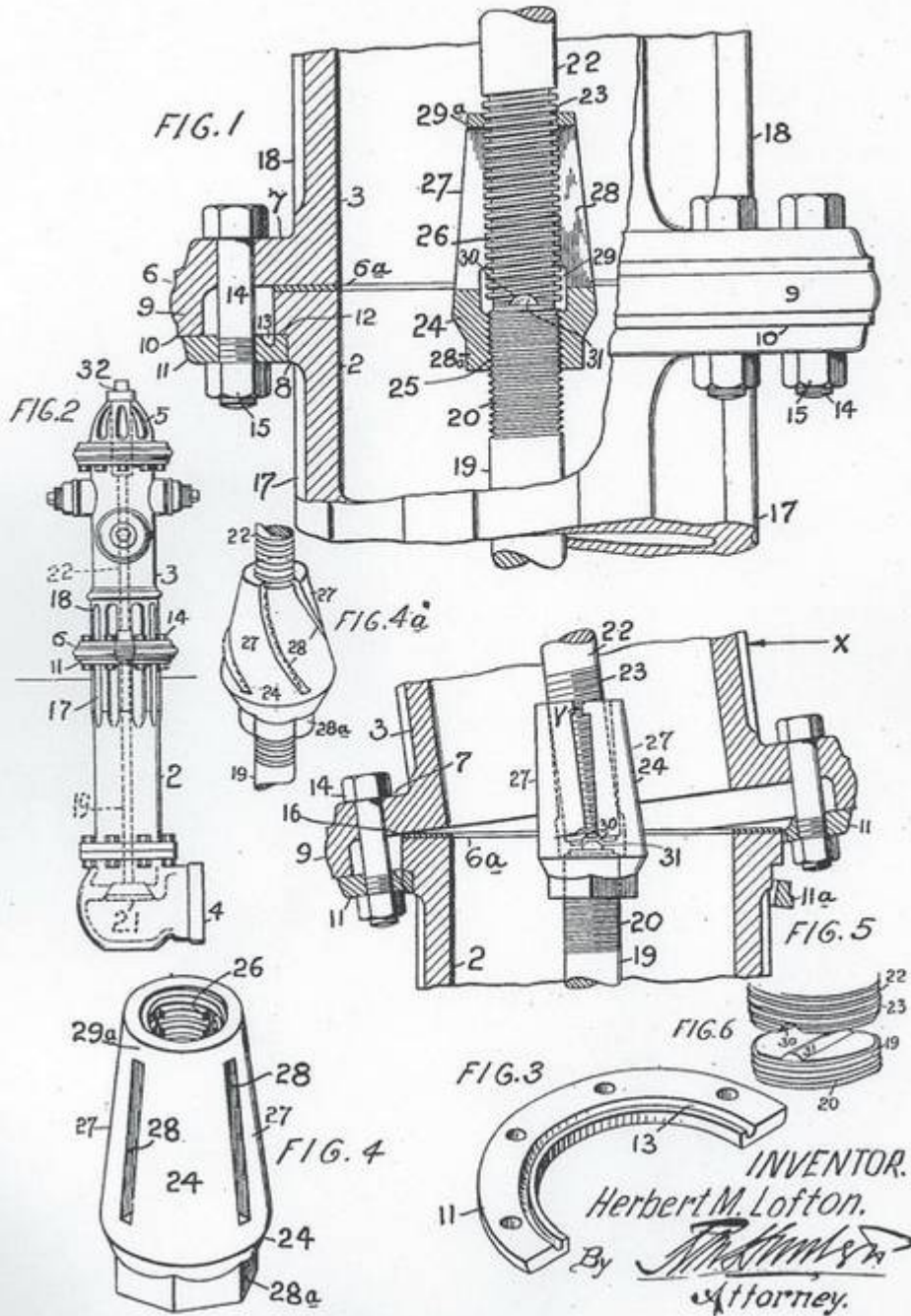
Oct. 22, 1935.

H. M. LOFTON

2,018,455

FIRE HYDRANT VALVE ROD COUPLING

Filed March 30, 1934



INVENTOR.  
Herbert M. Lofton.  
By *[Signature]*  
Attorney.