

US PATENTS
HUMIDIFIERS 1883-1910

(No Model.)

G. D. BANCROFT.

APPARATUS FOR MOISTENING AIR IN BUILDINGS.

No. 287,898.

Patented Nov. 6, 1883.

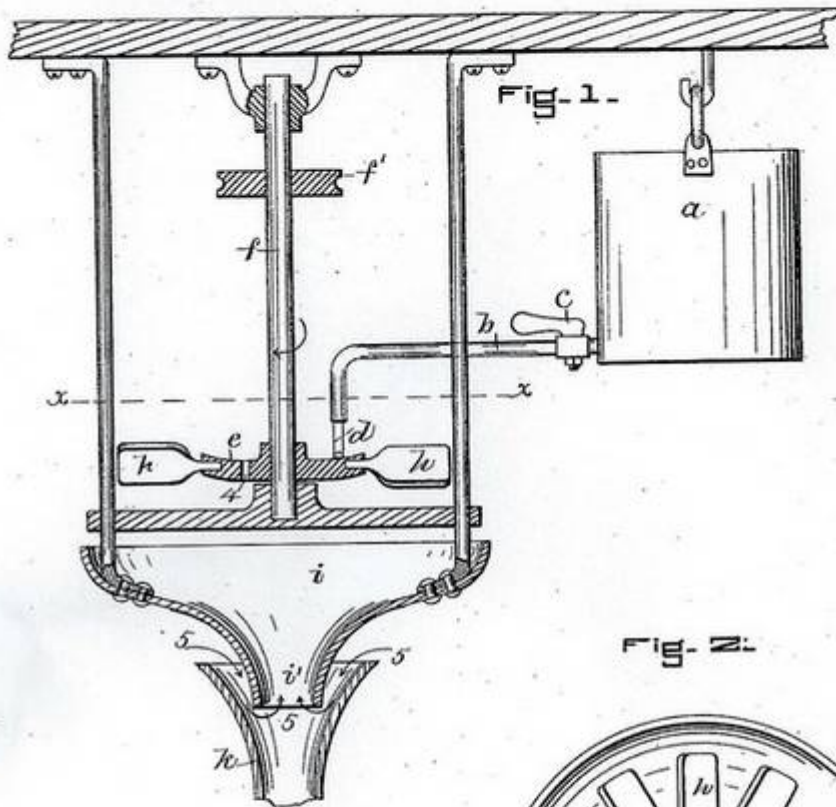
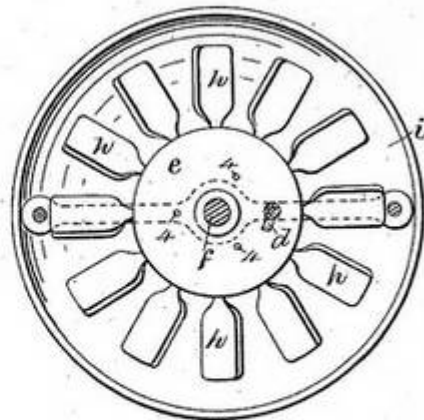


Fig-2:



WITNESSES

Fred A. Powell.
A. C. Case

INVENTOR

Geo. D. Bancroft

by Crosby & Gregory

Atys.

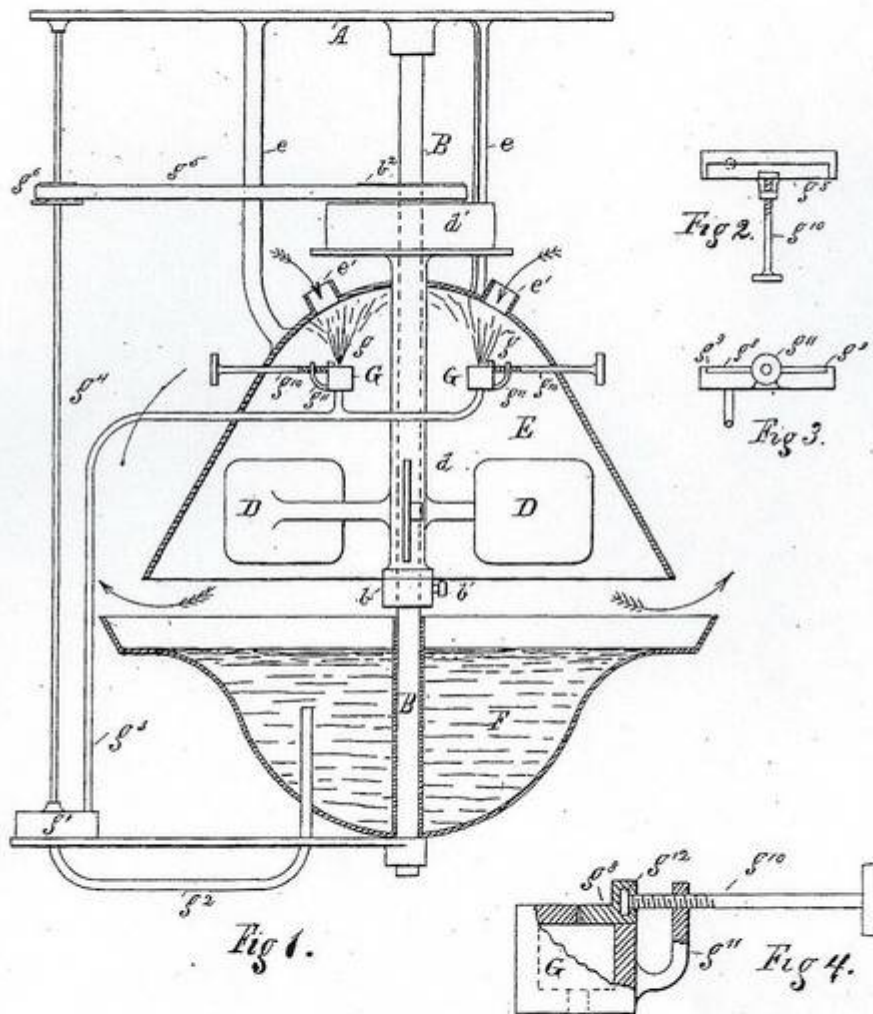
(No Model.)

M. SHERMAN.

APPARATUS FOR MOISTENING THE AIR IN COTTON MILLS, &c.

No. 324,043.

Patented Aug. 11, 1885.



Witnesses

Edward W. Thompson.
Karl A. P. Young

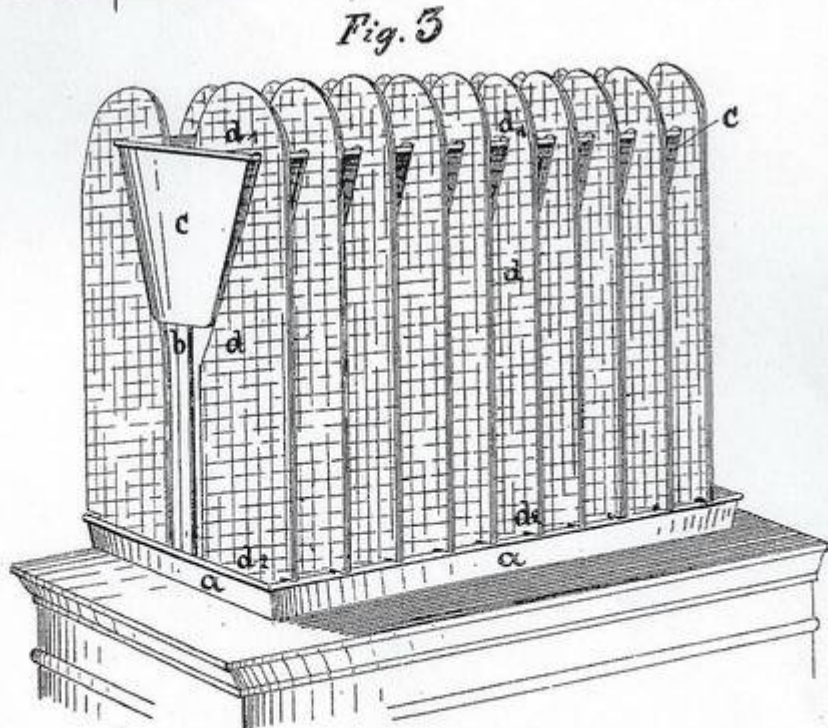
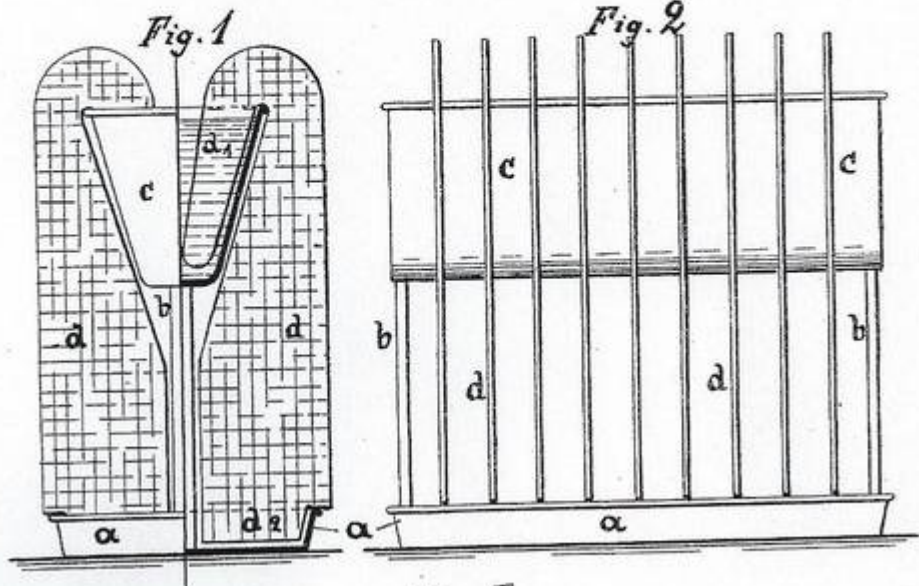
Inventor

Mortimer Sherman,
By Albert M. Moore,
His Attorney.

No. 804,120.

PATENTED NOV. 7, 1905.

J. HASÉ.
HUMIDIFIER.
APPLICATION FILED AUG. 4, 1904.



Witnesses:
Hermann W. Bornmann
E. Bornmann.

Inventor:
Jean Hasé
By Hermann Bornmann
att'y.

No. 831,275.

PATENTED SEPT. 18, 1906.

J. W. FRIES.
APPARATUS FOR HUMIDIFYING AND CLEANSING AIR.
APPLICATION FILED APR. 24, 1902.

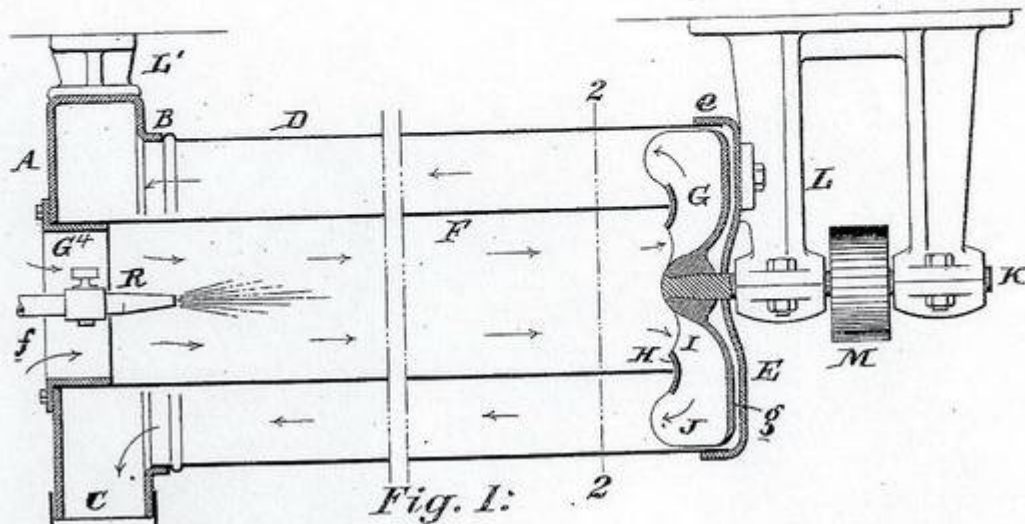


Fig. 1: 2

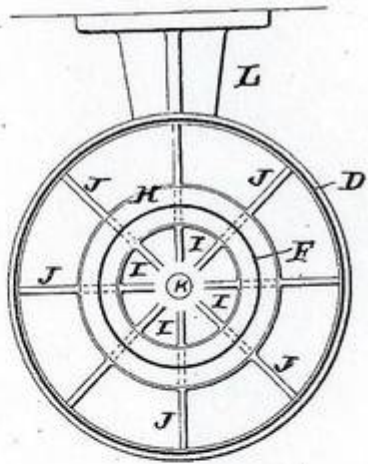
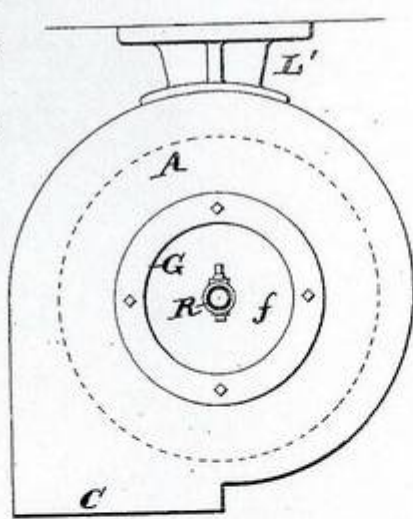
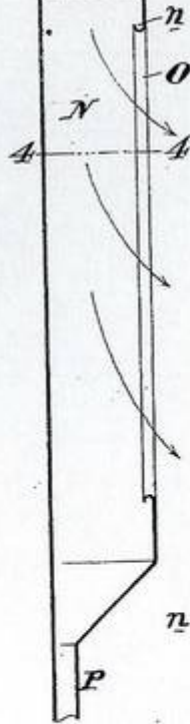


Fig. 2.

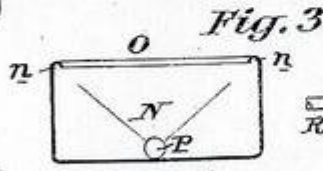


Fig. 4.

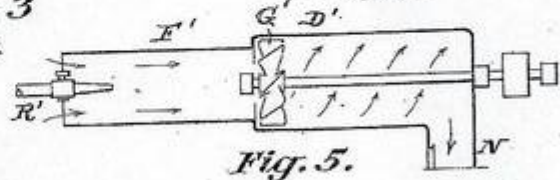


Fig. 5.

Witnesses
P. M. ...
E. Hall.

Inventor
John W. Fries
By *[Signature]*
Att'y.

No. 821,989.

PATENTED MAY 29, 1906.

S. W. CRAMER.
HUMIDIFYING AND VENTILATING APPARATUS.

APPLICATION FILED JUNE 1, 1905.

2 SHEETS—SHEET 1.

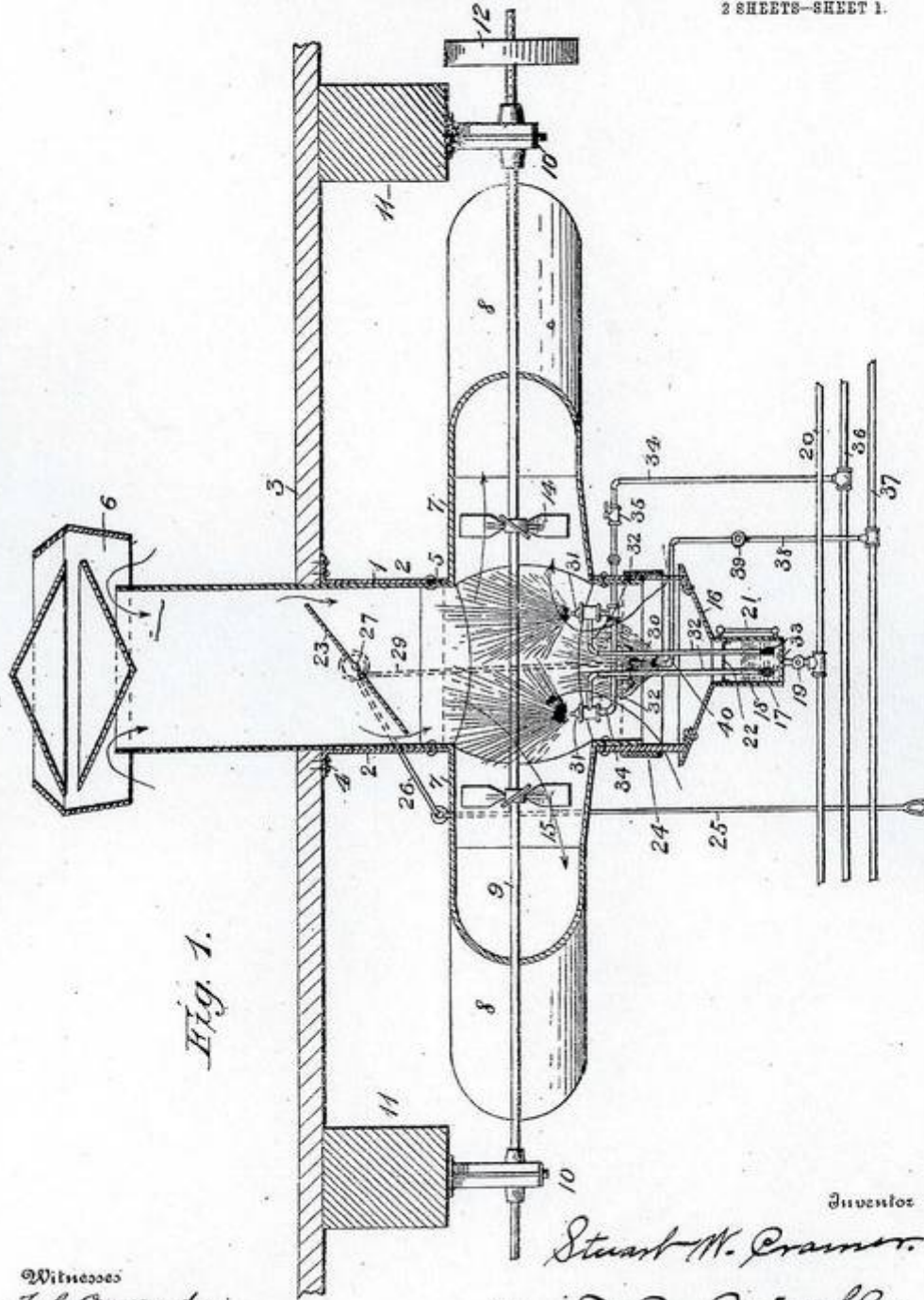


Fig. 1.

Witnesses
F. L. Ormand,
W. Parker Reinohl.

Inventor
Stuart W. Cramer.
By D. E. Reinohl.
Attorney

W. H. CARRIER.
METHOD OF HEATING AND HUMIDIFYING AIR.
APPLICATION FILED JULY 16, 1906.

2 SHEETS—SHEET 1.

Fig. 1.

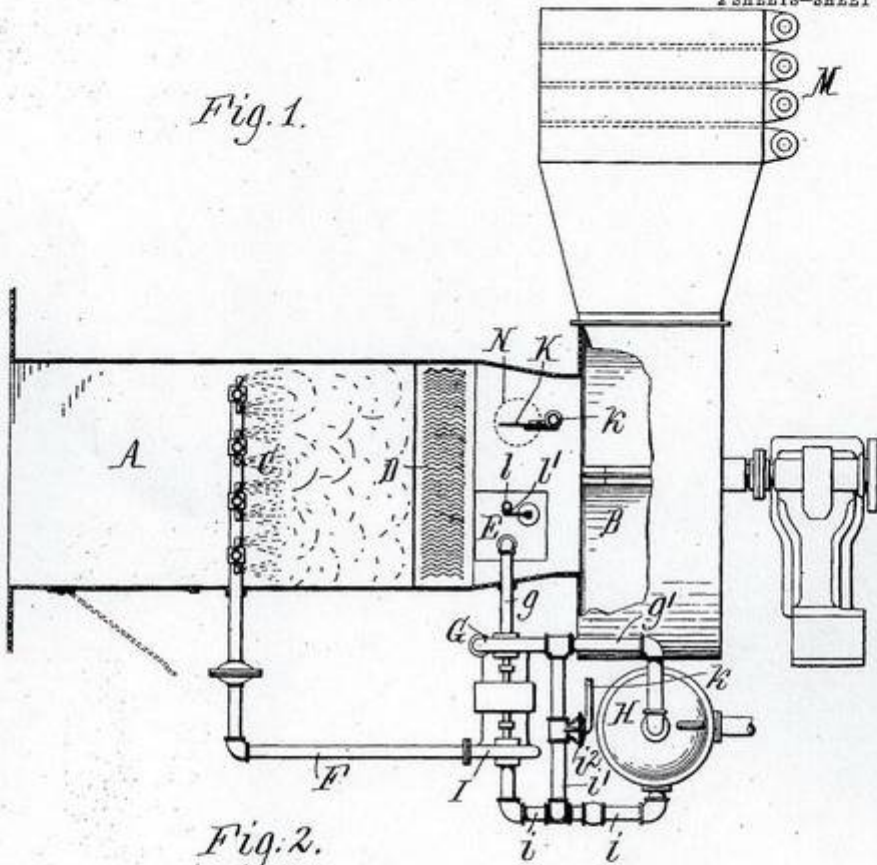
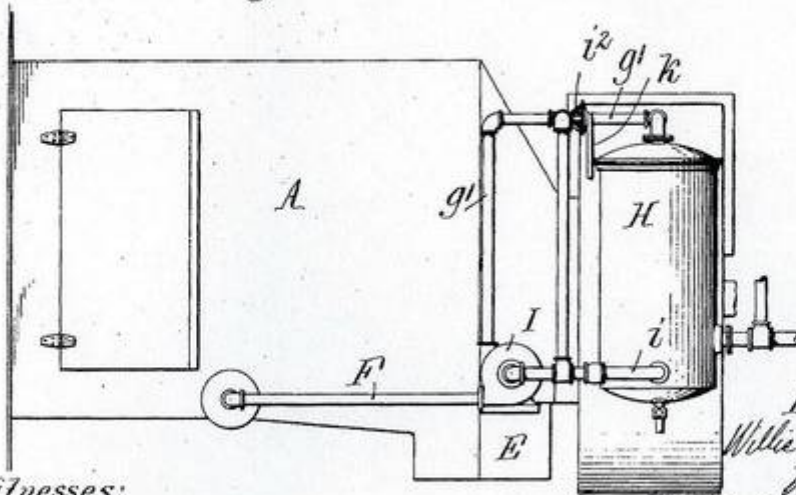


Fig. 2.



Witnesses:
E. A. Volk
A. P. Diamond.

Inventor
Willie H. Carrier
By
Wilhelm Barks & Hard
Attorneys.

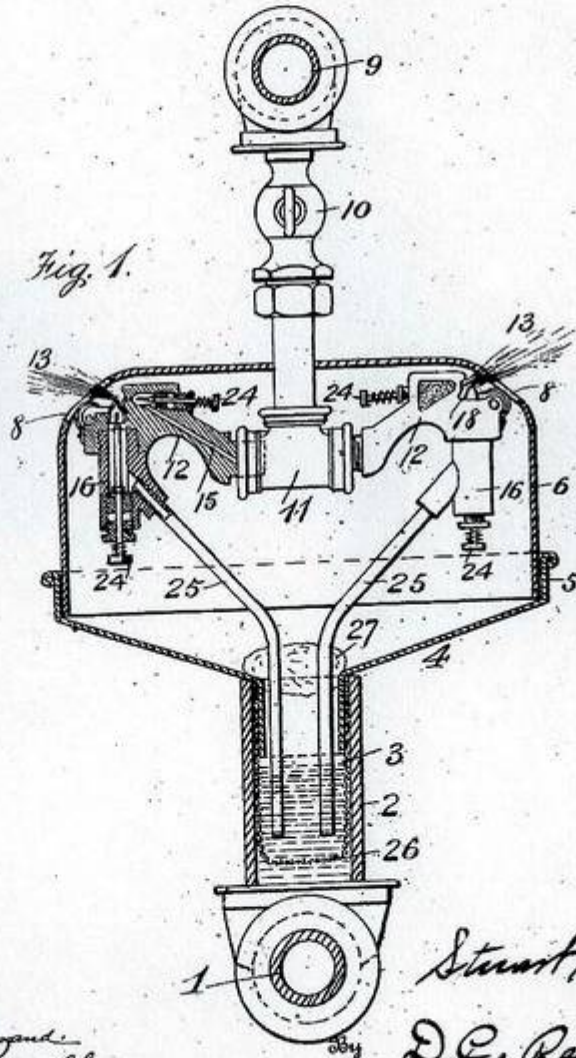
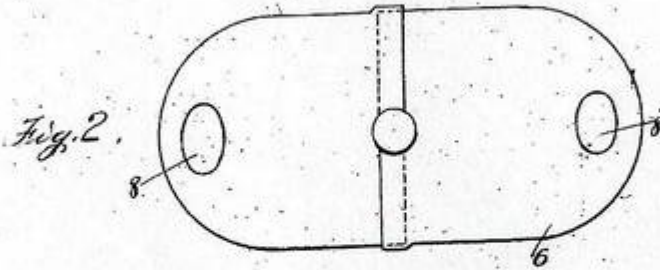
No. 840,917.

PATENTED JAN. 8, 1907.

S. W. CRAMER.
HUMIDIFIER.

APPLICATION FILED MAR. 14, 1908.

2 SHEETS—SHEET 1.



Witnesses
Frank L. O'Connell
W. Parker Reynolds

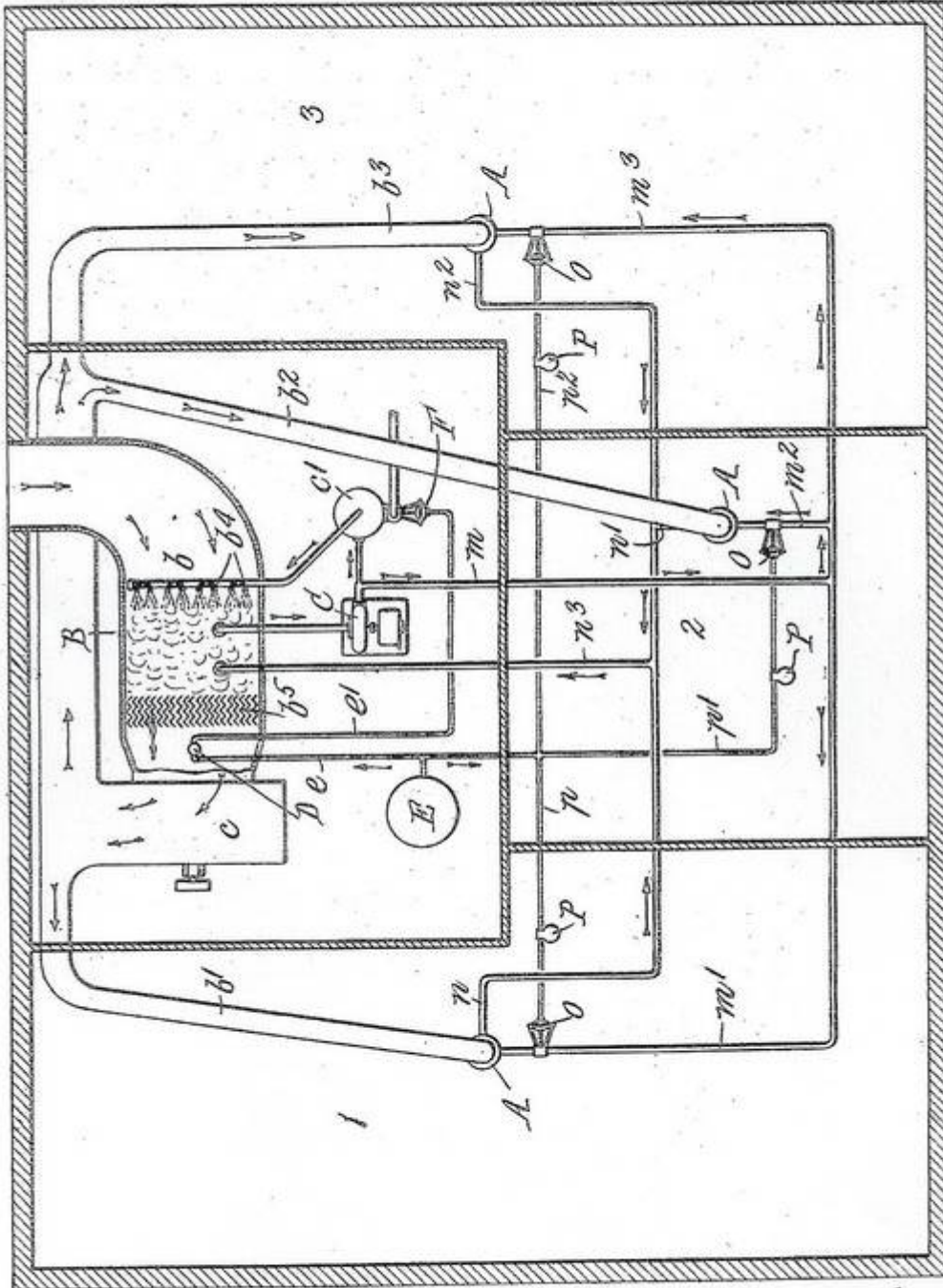
Inventor
Stewart W. Cramer.
By *D. C. Reinold*
Attorney

W. H. CARRIER.
 HUMIDIFYING APPARATUS.
 APPLICATION FILED DEC. 31, 1909.

Patented Sept. 27, 1910.

3 SHEETS—SHEET 1.

971,248.



Witnesses.
 E. A. Volk
 C. P. Diamond.

Fig. 1.

Inventor,
 W. H. Carrier
 By William Backus & Hard,
 Attorneys

A. J. DRONSFIELD.
 HUMIDIFYING APPARATUS.
 APPLICATION FILED DEC. 27, 1910.

1,002,905.

Patented Sept. 12, 1911.

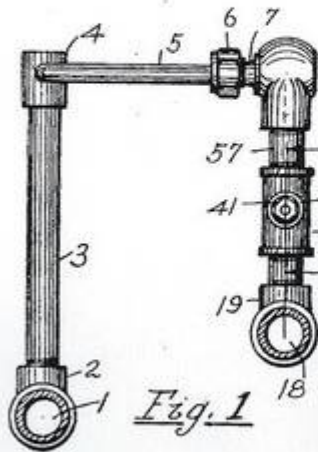


Fig. 1

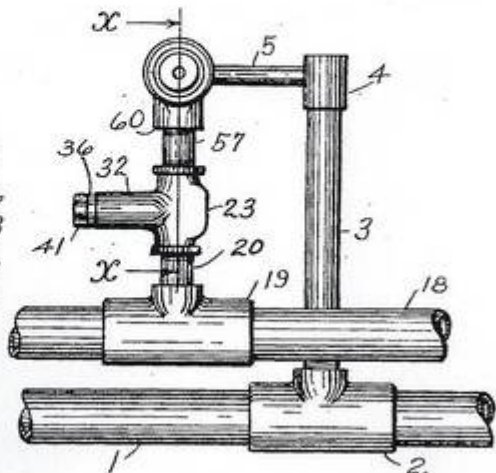


Fig. 2

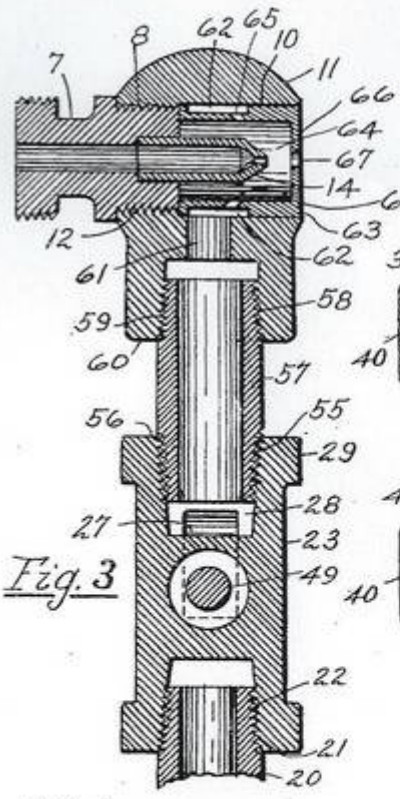


Fig. 3

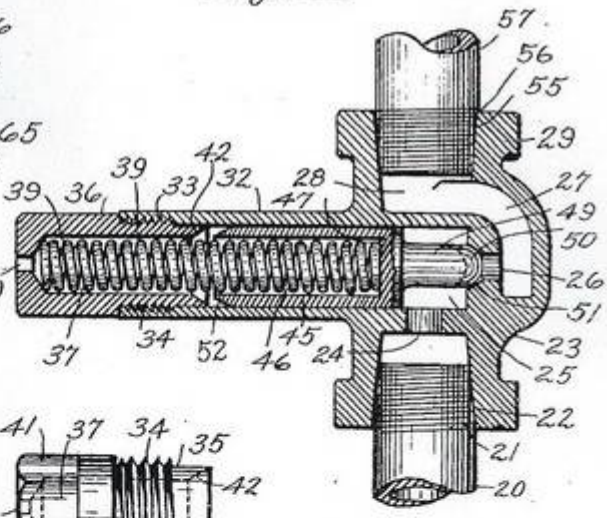


Fig. 4

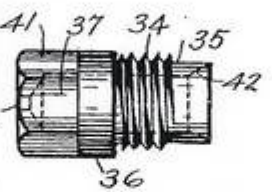


Fig. 5

Witnesses
 Alfred H. Whalley
 George H. McLaughlin

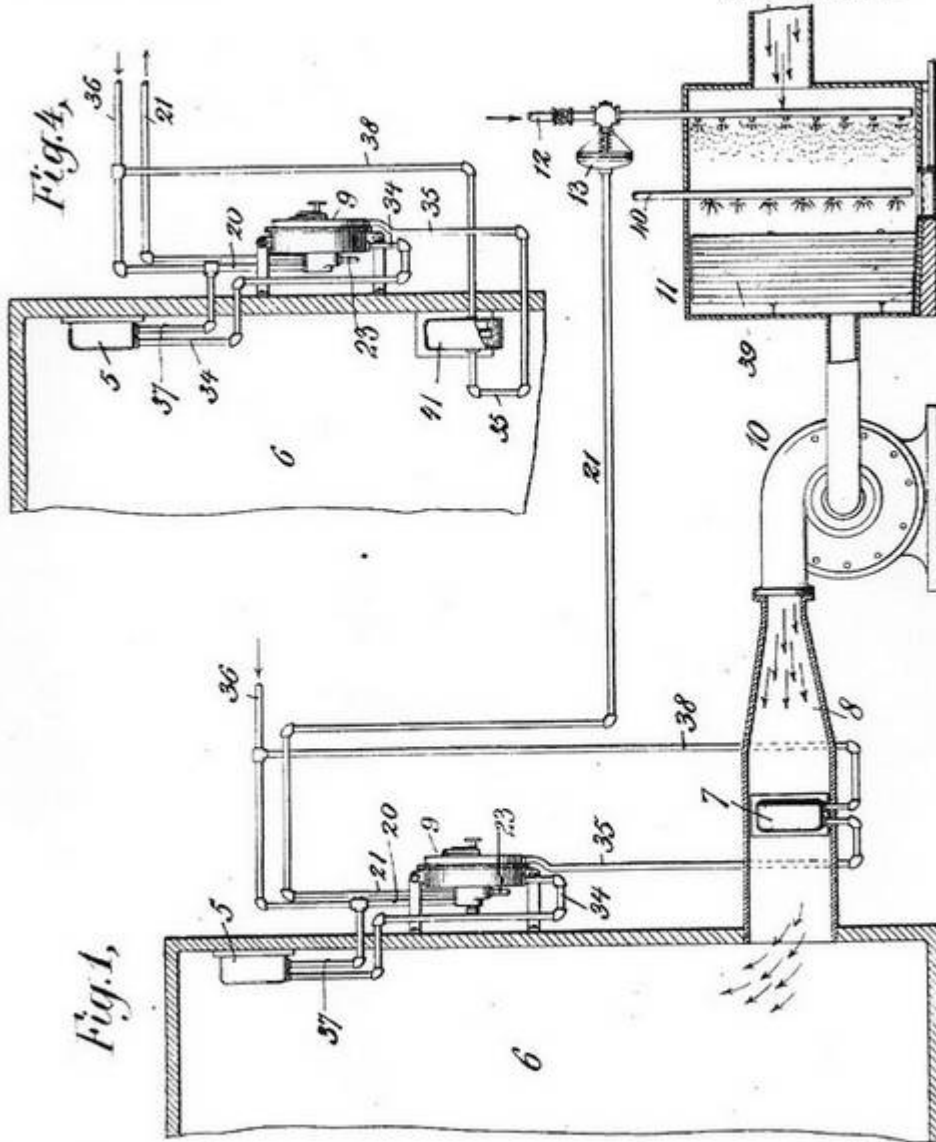
Inventor
 Albert J. Dronsfeld
 By Horatio E. Bellows
Attorney

E. T. MURPHY.
 HUMIDITY CONTROLLING APPARATUS.
 APPLICATION FILED MAY 17, 1909.

1,012,414.

Patented Dec. 19, 1911.

3 SHEETS-SHEET 1.



WITNESSES:
J. C. Hartmann
J. S. Andrews Jr.

INVENTOR
Edward J. Murphy
 BY
Chapin Raymond
 HIS ATTORNEYS

S. W. CRAMER & W. B. HODGE.
 AIR CONDITIONING APPARATUS.
 APPLICATION FILED DEC. 14, 1909.

960,830.

Patented June 7, 1910.

2 SHEETS—SHEET 1.

Fig. 1.

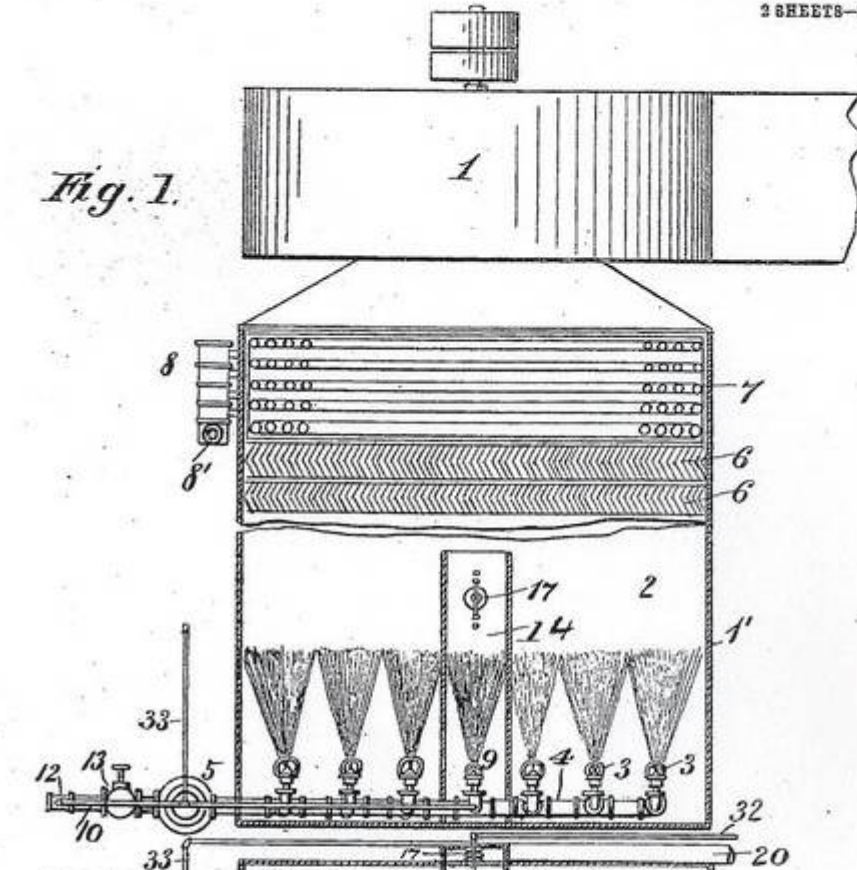
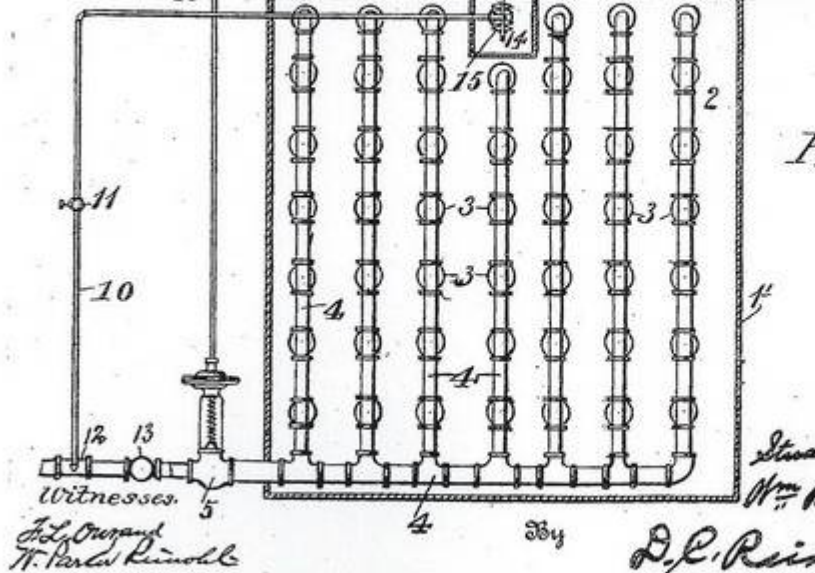


Fig. 2.



Inventors

Stewart W. Cramer,

W. B. Hodge,

Witnesses:
 J. L. Ormand
 W. Parlow Reinhold

D. P. Reinhold
 Attorney