

US PATENTS
ICE MACHINES 1851-1880

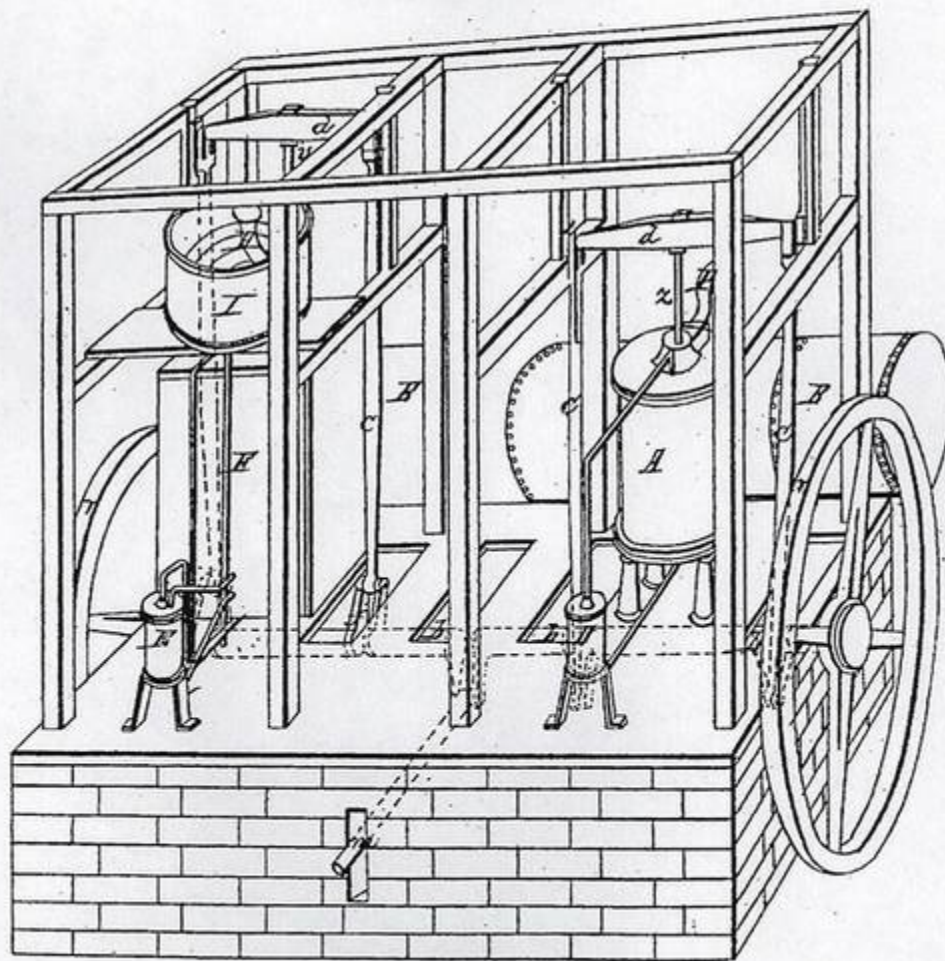
8 Sheets—Sheet 1.

J. GORRIE
ICE MACHINE.

No. 8,080.

Patented May 6, 1851.

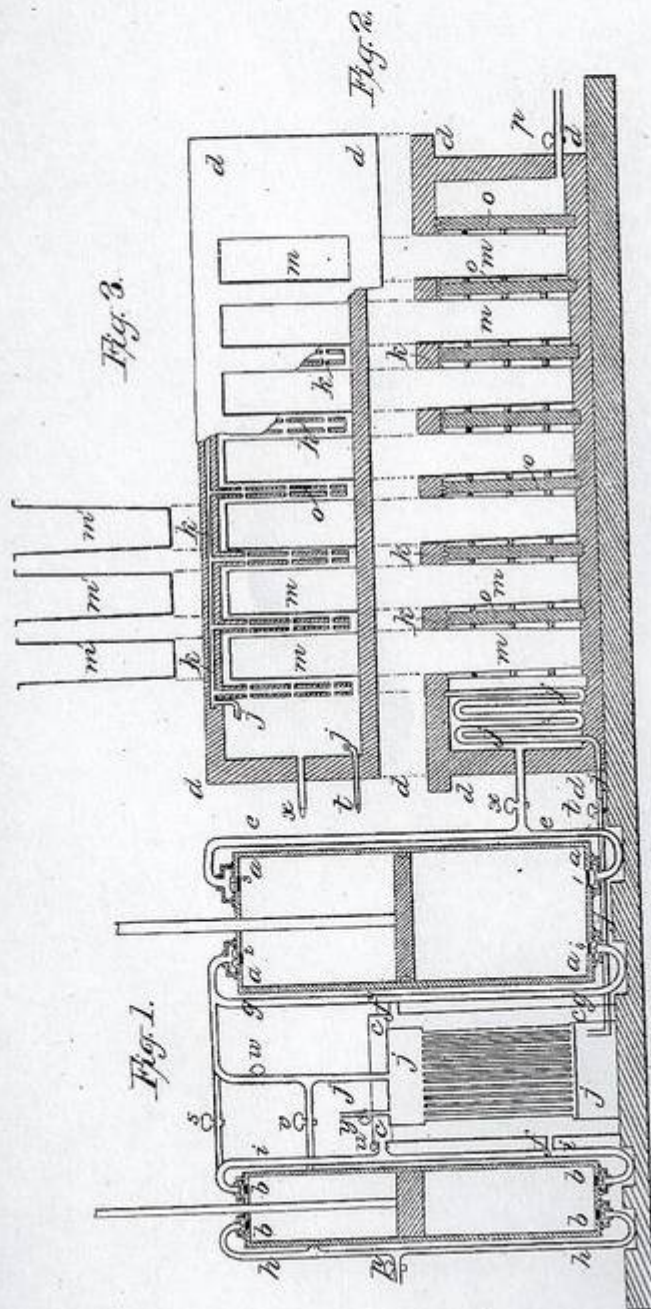
Fig: 1.



A. C. TWINING.
Manufacture of Ice.

No. 10,221.

Patented Nov. 8, 1853.



F. P. E. CARRIE.
Manufacture of Ice.

No. 30,201.

Patented Oct. 2, 1860.

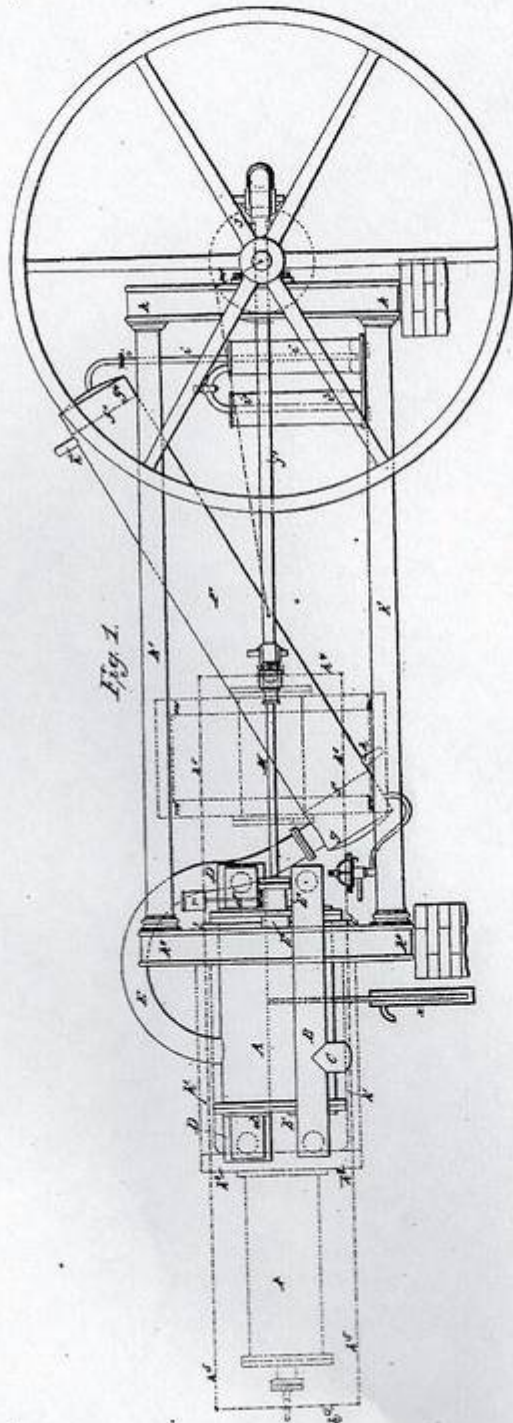


Fig. 1.

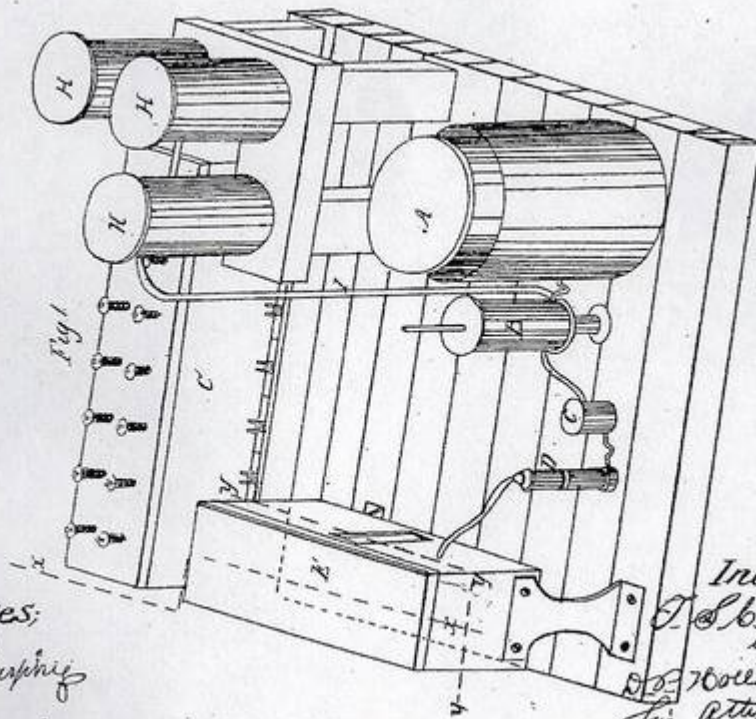
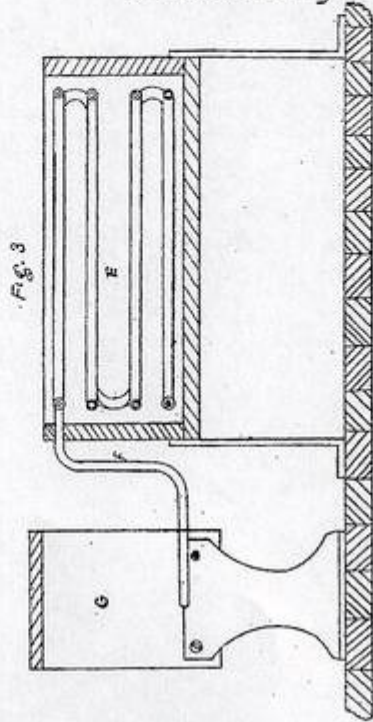
Witnesses:
[Signature]
[Signature]

Inventor:
F. P. E. Carrie by
A. H. Hall, his atty.

T.S.C. Lowe.
Manuf. of Ice.

No 63,413-

Patented April 2, 1867-



Witnesses:
John
L. A. Burdick

Inventor,
T. S. C. Lowe
by
D. D. Colverway & Co
Attys.

T. L. RANKIN.
ICE-MACHINE.

No. 175,498.

Patented March 28, 1876.

Fig. 1.

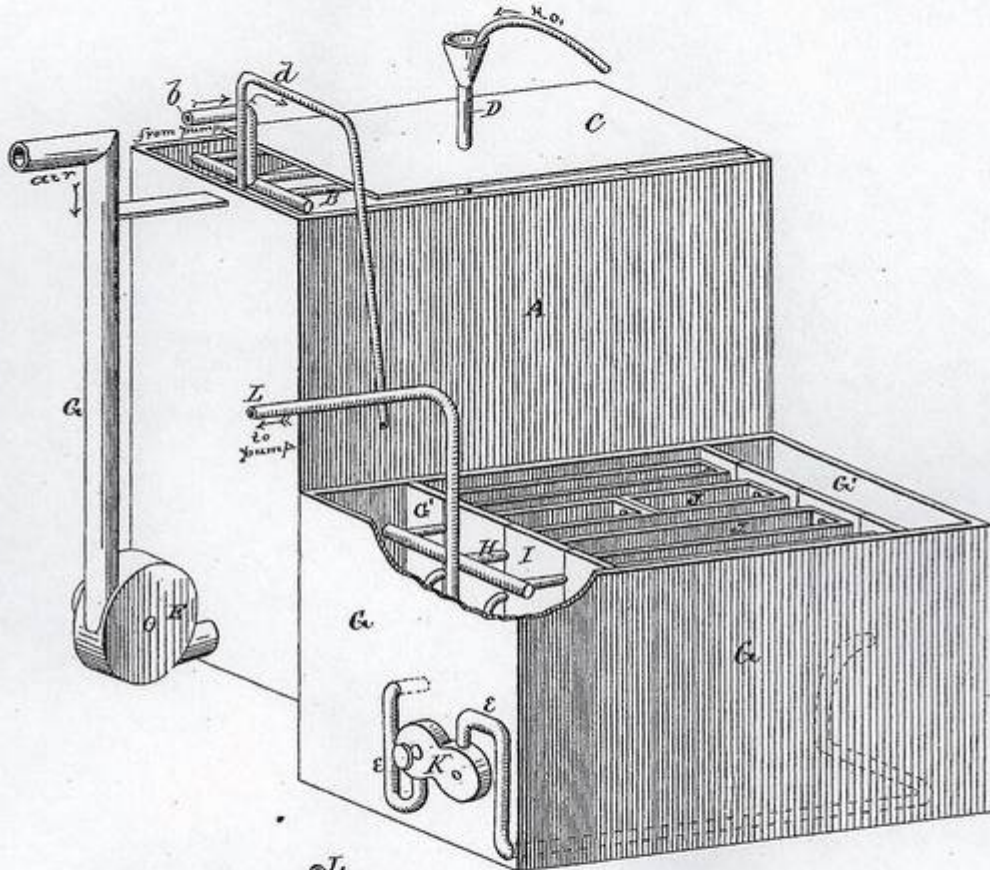
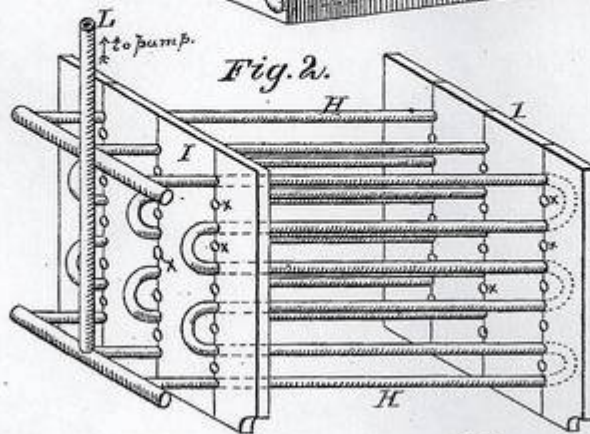


Fig. 2.



WITNESSES
Henry N. Miller
C. L. Ewert 119

INVENTOR
Thos. L. Rankin
Alexander Mason
 Attorneys

A. T. BALLANTINE.
ICE-MACHINE.

No. 191,638.

Patented June 5, 1877.

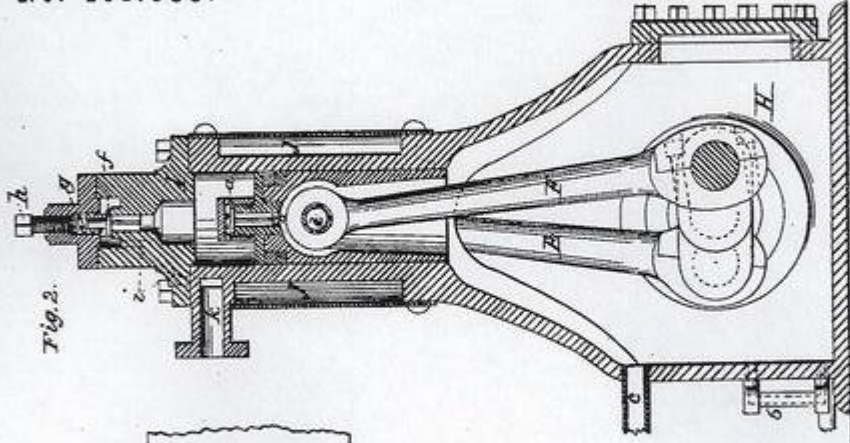


Fig. 2.

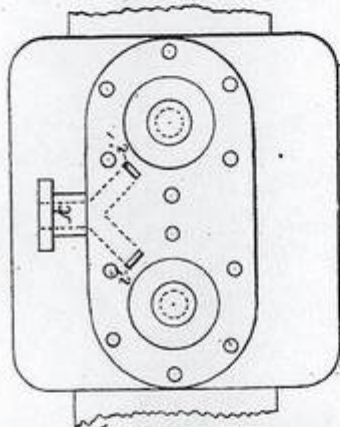


Fig. 3.

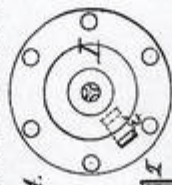


Fig. 4.

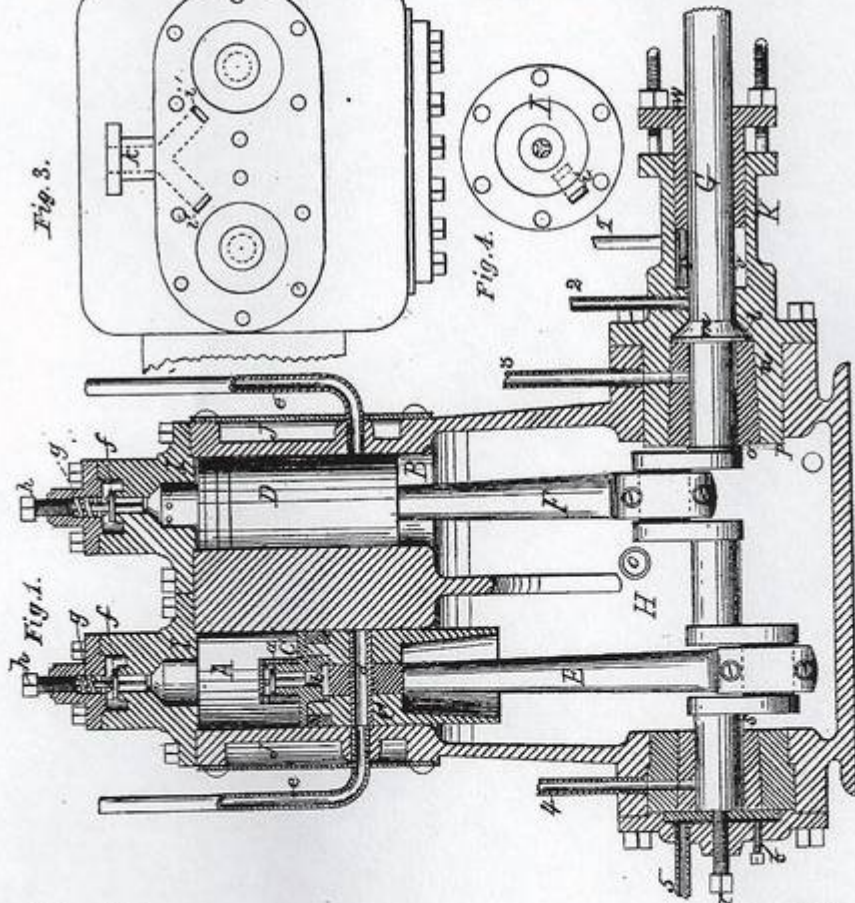


Fig. 1.

Witnesses.
E. Baulow
J. M. Keller

Inventor.
Alexander T. Ballantine

C. P. G. LINDE.
Refrigerating and Ice-Making Apparatus.

No. 228,364.

Patented June 1, 1880.

Fig 1

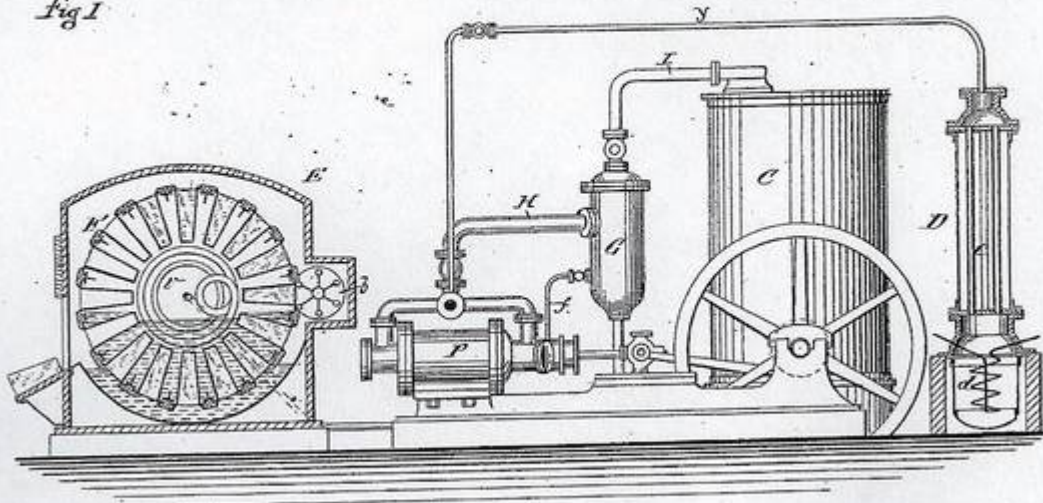


Fig. 2

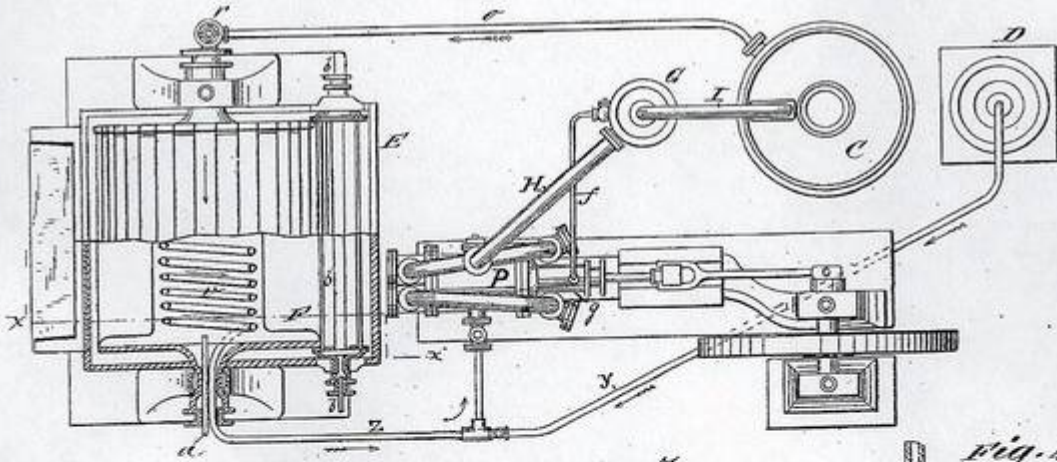


Fig. 3

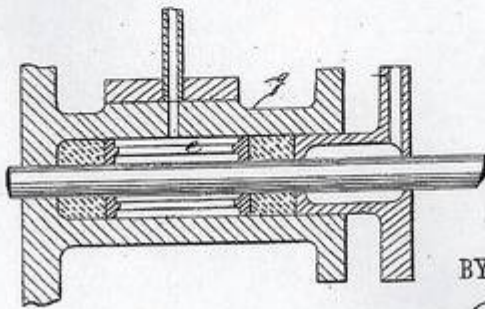


Fig. 4



WITNESSES:
C. Naveux
C. Sedgwick

INVENTOR:
C. P. G. Linde
BY *Munn & Co.*
ATTORNEYS.