

**US PATENTS**  
REFRIGERATION 1882-1949

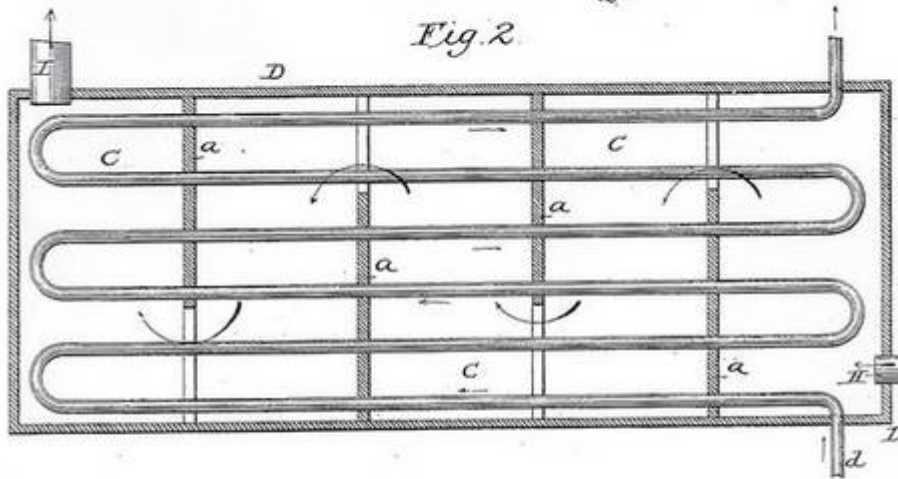
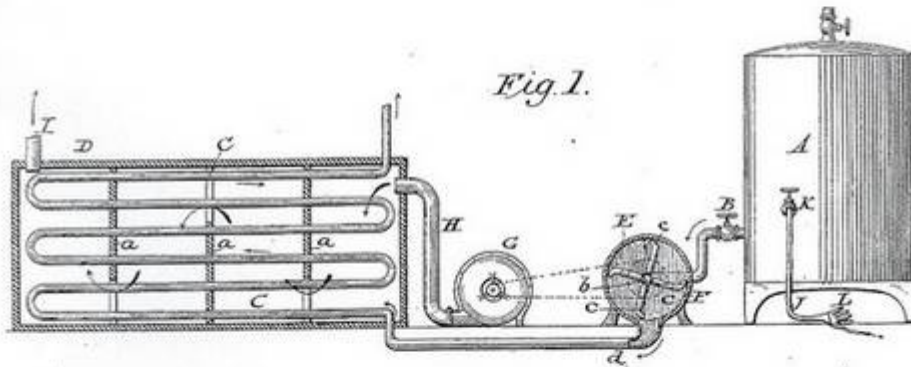
(No Model.)

**H. C. JOHNSON & F. M. McMILLAN.**

REFRIGERATION OF BUILDINGS.

No. 262,185.

Patented Aug. 1, 1882.



*Fig. 3.*



*Attest.*  
*Simey P. Hollingsworth*  
*Walter S. Dodge*

*Inventors.*  
*Henry C. Johnson,*  
*Francis M. McMillan,*  
*by Dodge & Co.*  
*Attys.*

No. 697,029.

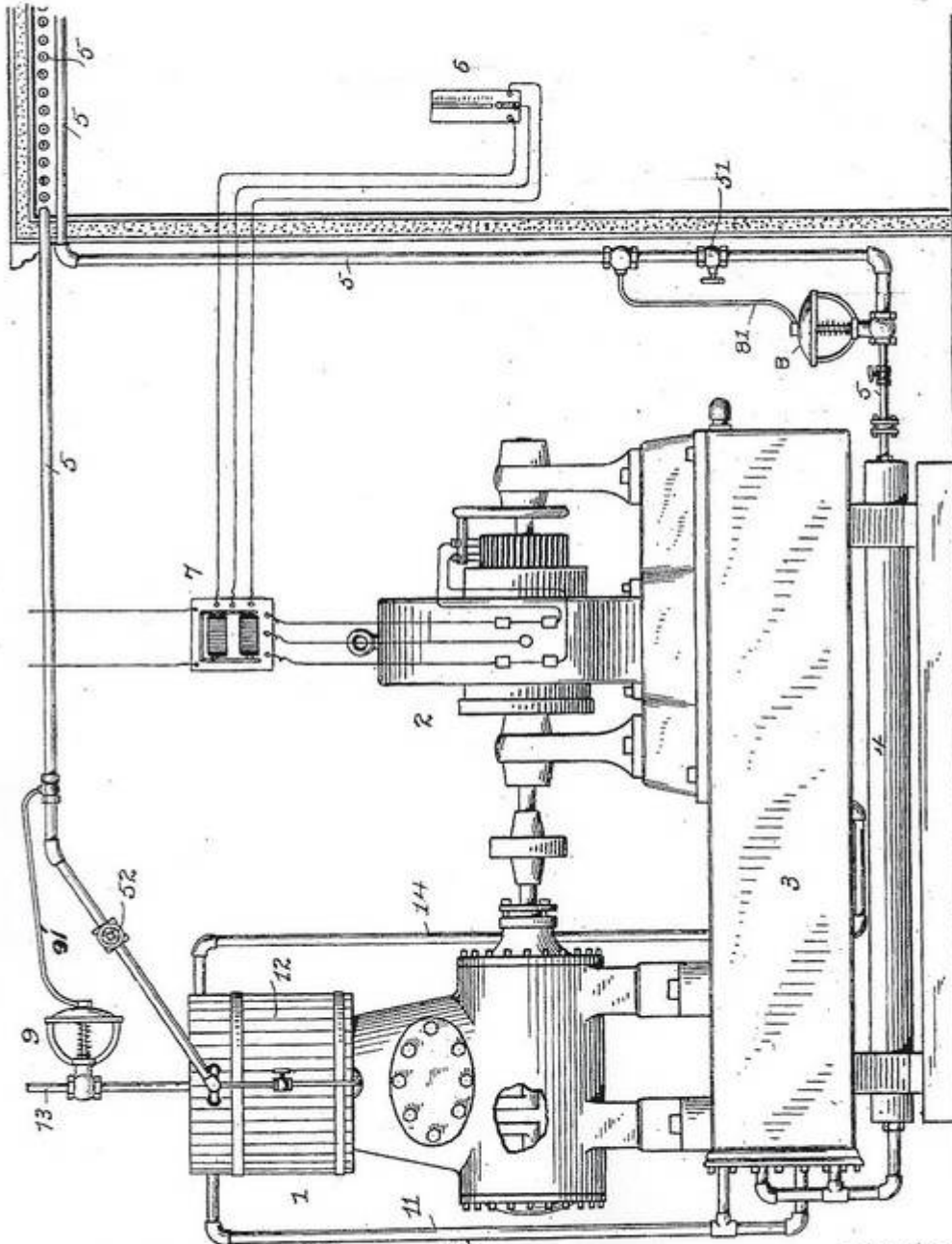
Patented Apr. 8, 1902.

W. F. SINGER.  
REFRIGERATING SYSTEM.

(Application filed Nov. 15, 1900.)

(No Model.)

2 Sheets—Sheet I.



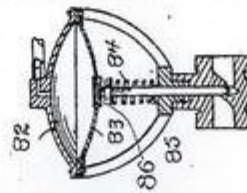
WITNESSES.

H. A. Lamb.

R. G. Jones

Fig. I.

Fig. III.



INVENTOR.

William F. Singer  
per Geo. Cooper  
att'y.

R. WHITAKER.  
REFRIGERATING APPARATUS.  
APPLICATION FILED MAR. 3, 1905.

911,635.

Patented Feb. 9, 1909.

2 SHEETS—SHEET 1.

Fig. 2

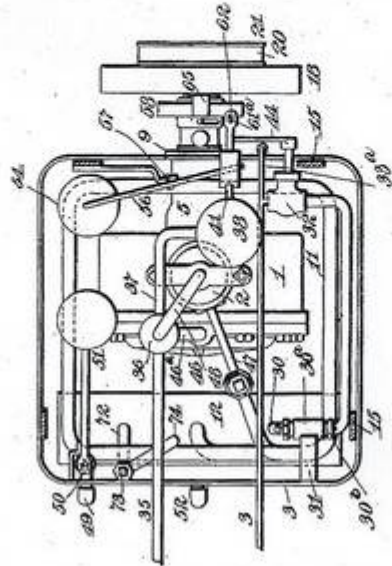


Fig. 3

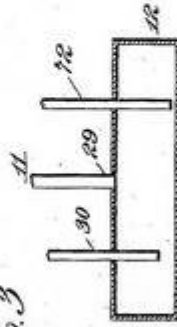
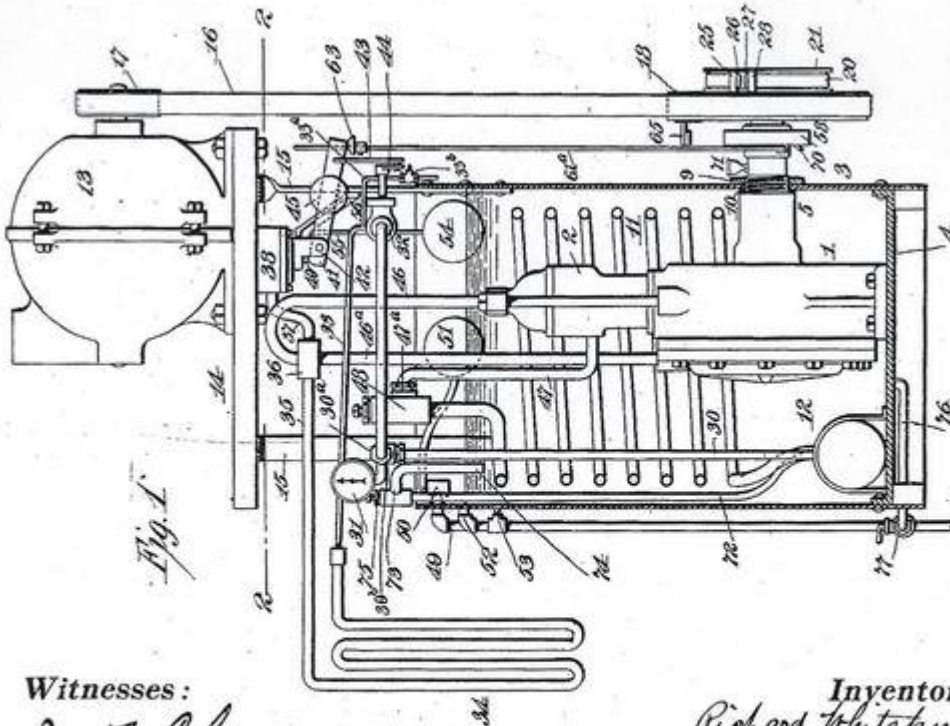


Fig. 1



Witnesses:  
*Jas. F. Coleman*  
*John. Ed. ...*

Inventor  
*Richard Whitaker*  
 By *Dyer & Dyer*

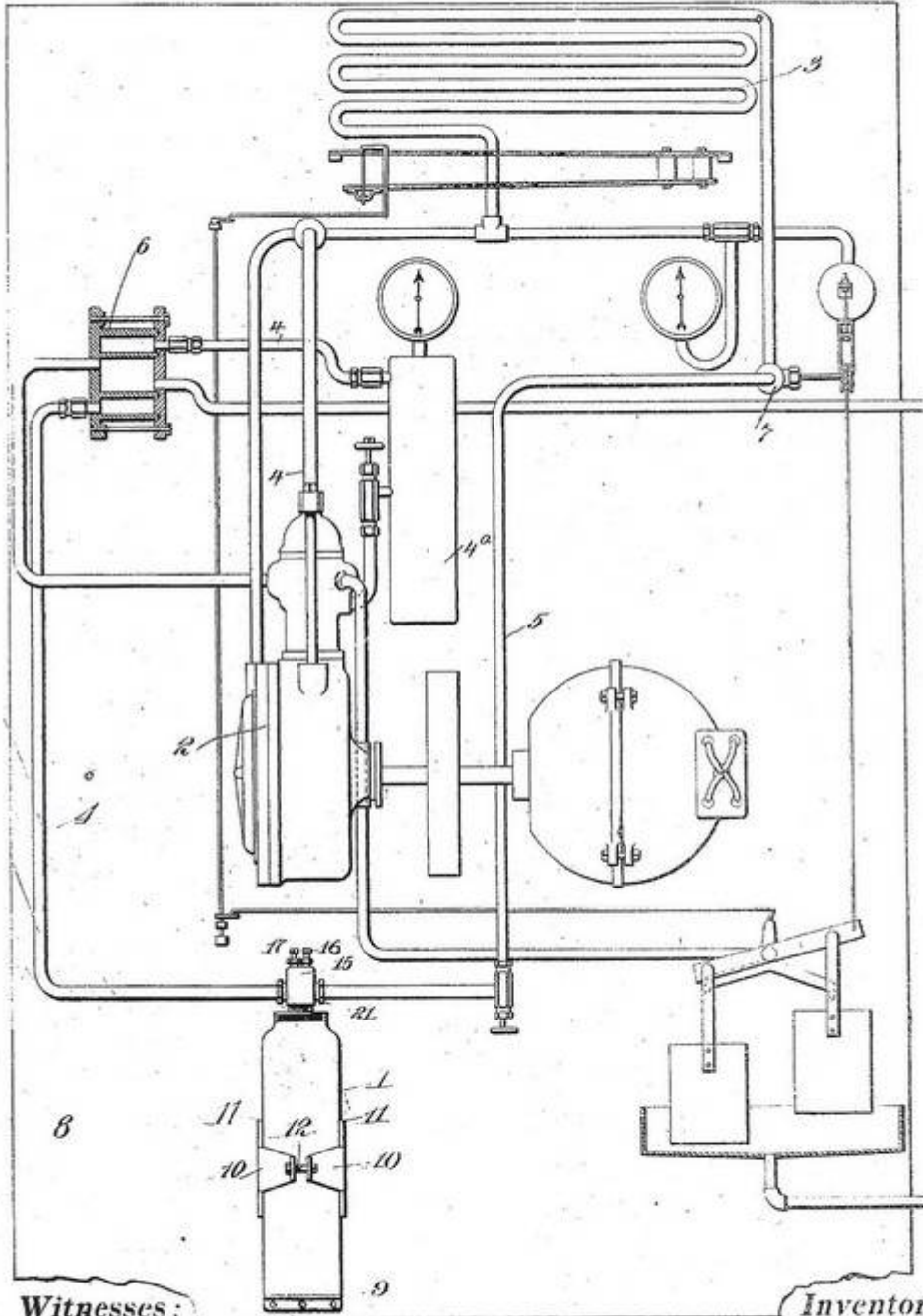
Attorneys.

R. WHITAKER.  
REFRIGERATING MACHINE.  
APPLICATION FILED APR. 27, 1904.

932,599.

Patented Aug. 31, 1909.

2 SHEETS—SHEET 1.



Witnesses:

*Jas. F. Coleman*  
*John A. DeLoach*

Fig. 1.

Inventor

*Richard Whitaker*  
*By W. J. W. W. W.*

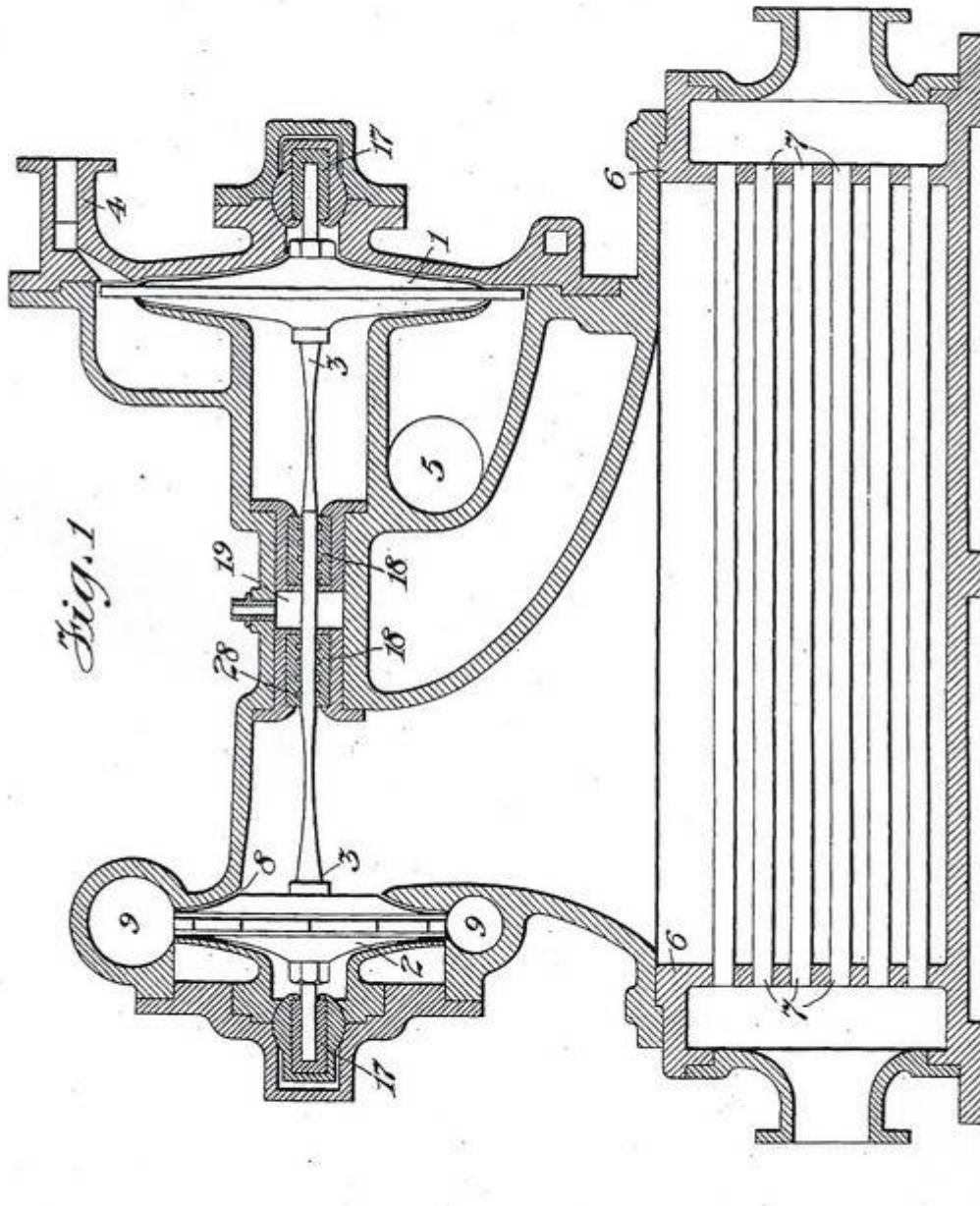
Attorneys.

M. LEBLANC.  
REFRIGERATING MACHINE.  
APPLICATION FILED FEB. 24, 1904.

977,659.

Patented Dec. 6, 1910.

2 SHEETS—SHEET 1.



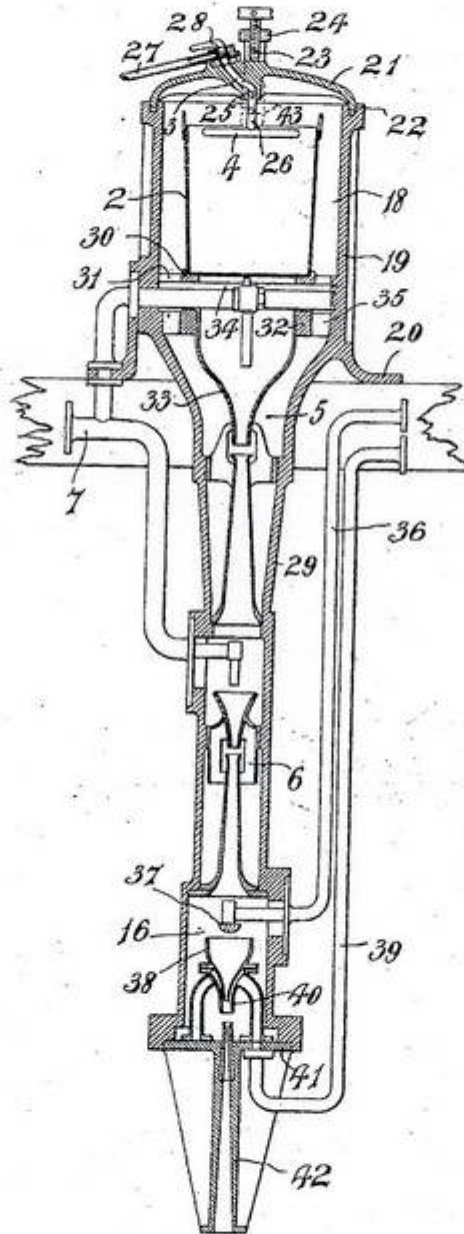
Witnesses  
Chas. J. Clagitt  
Wm. Capel

Inventor  
Maurice Leblanc  
By his Attorney  
C. J. ...

M. LEBLANG.  
REFRIGERATING MACHINE.  
APPLICATION FILED FEB. 16, 1906.

1,005,851.

Patented Oct. 17, 1911.



WITNESSES.  
*J. S. Ryder*  
*E. W. McAllister*

INVENTOR.  
*Maurice Leblanc*  
*by Geo. S. Burr*  
*Att.*

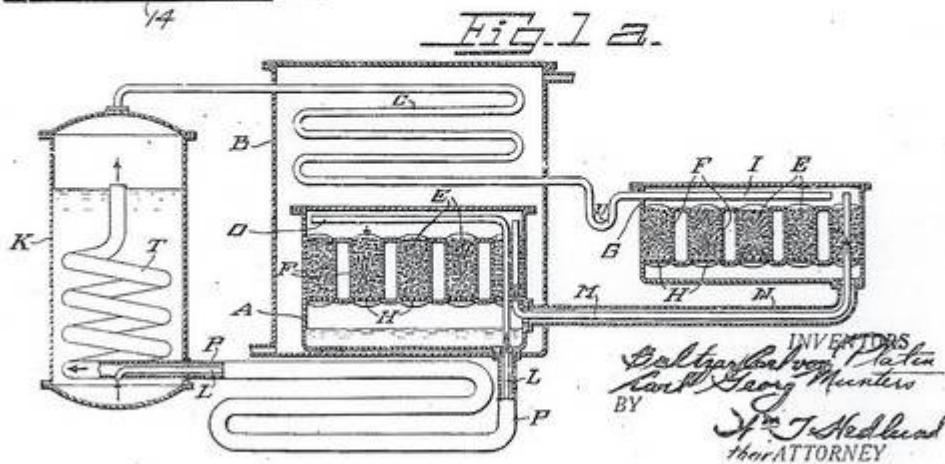
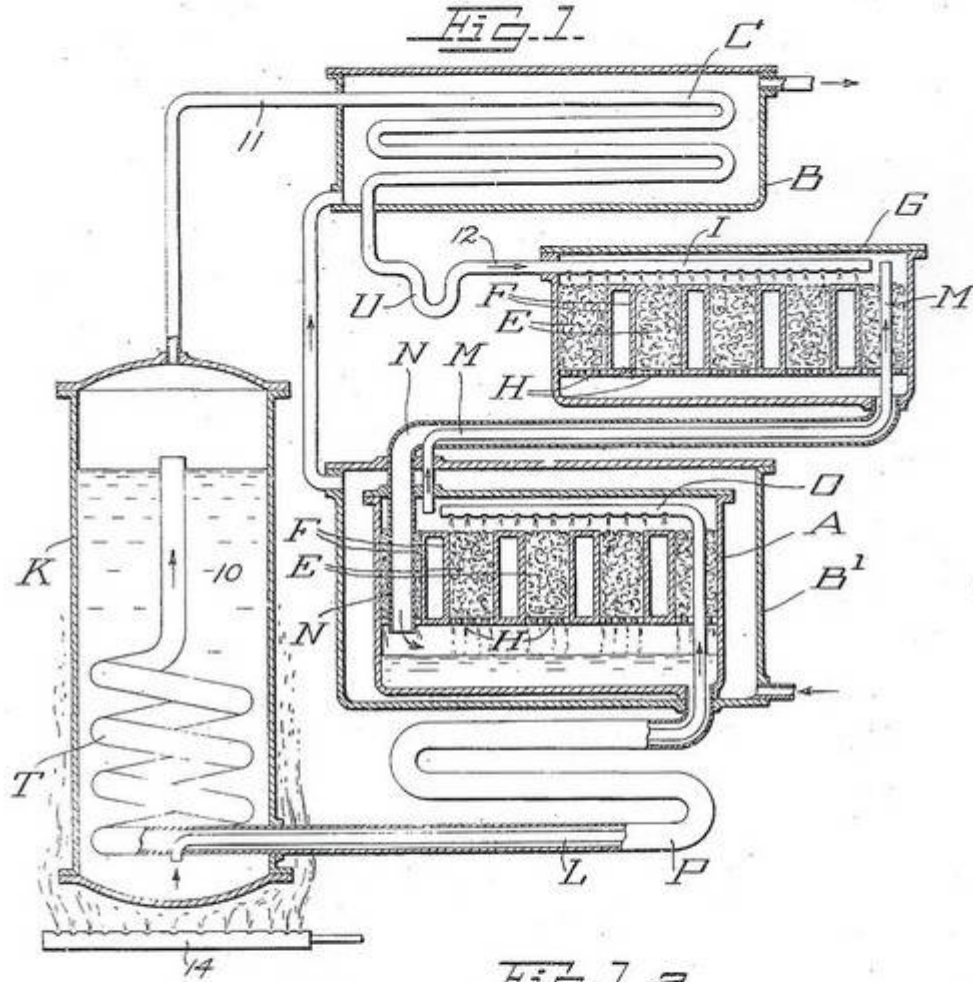
Dec. 7, 1926.

1,609,334

B. C. VON PLATEN ET AL

REFRIGERATION

Filed August 18, 1926 7 Sheets-Sheet 1



INVENTORS  
*Balthasar von Platen*  
*Karl Georg Munter*  
BY  
*J. T. Hedlund*  
ATTORNEY

July 5, 1927.

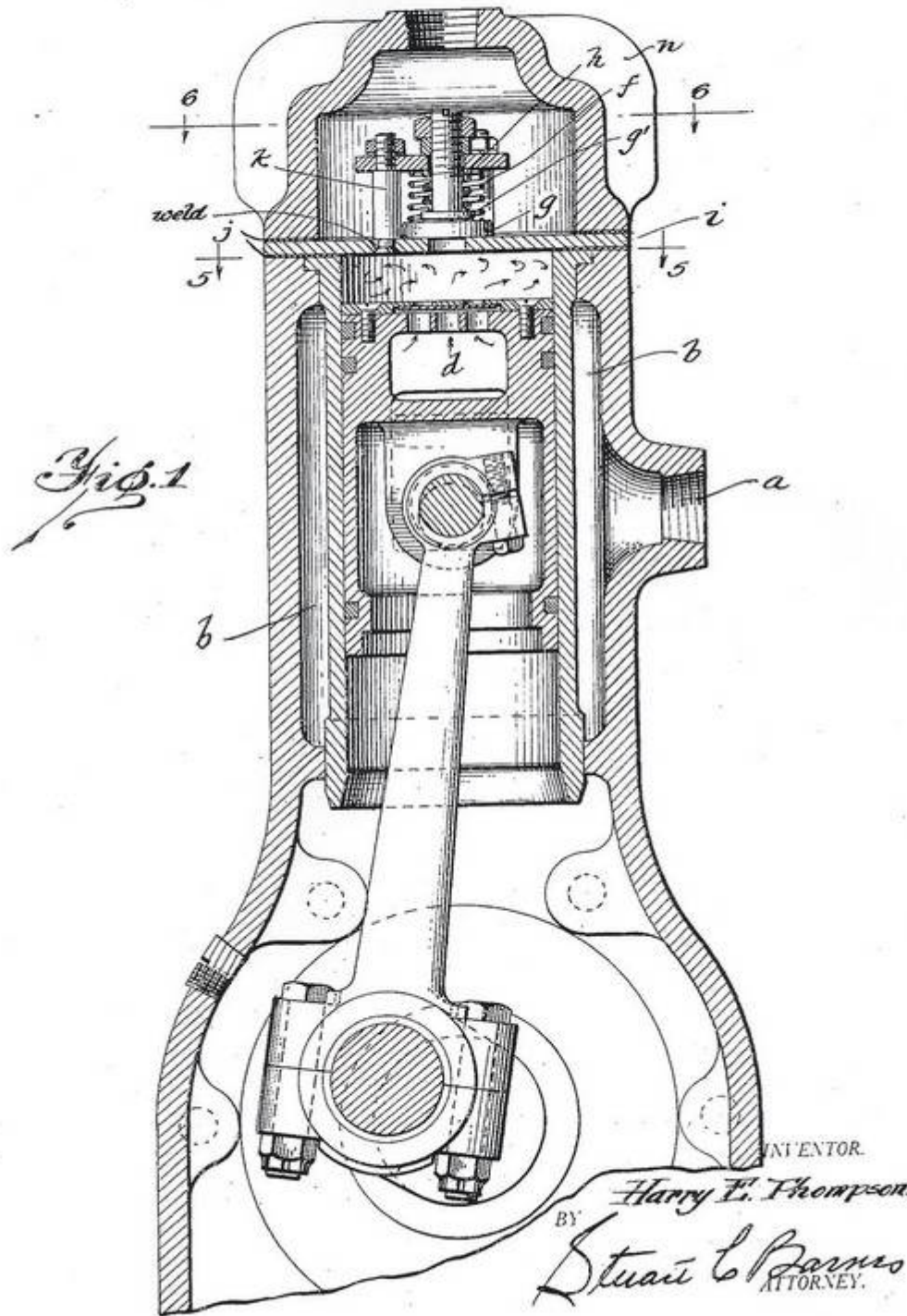
1,634,633

H. E. THOMPSON

CYLINDER CAP CONSTRUCTION FOR COMPRESSORS

Filed Feb. 15, 1926

3 Sheets-Sheet 1





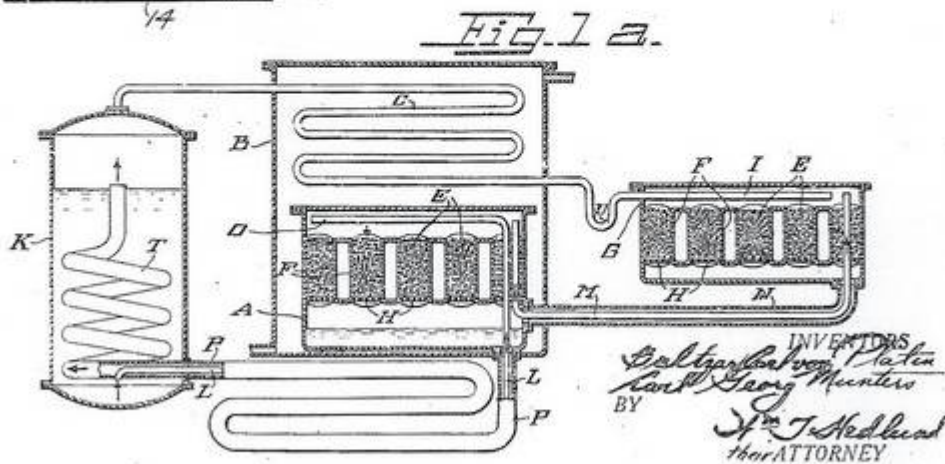
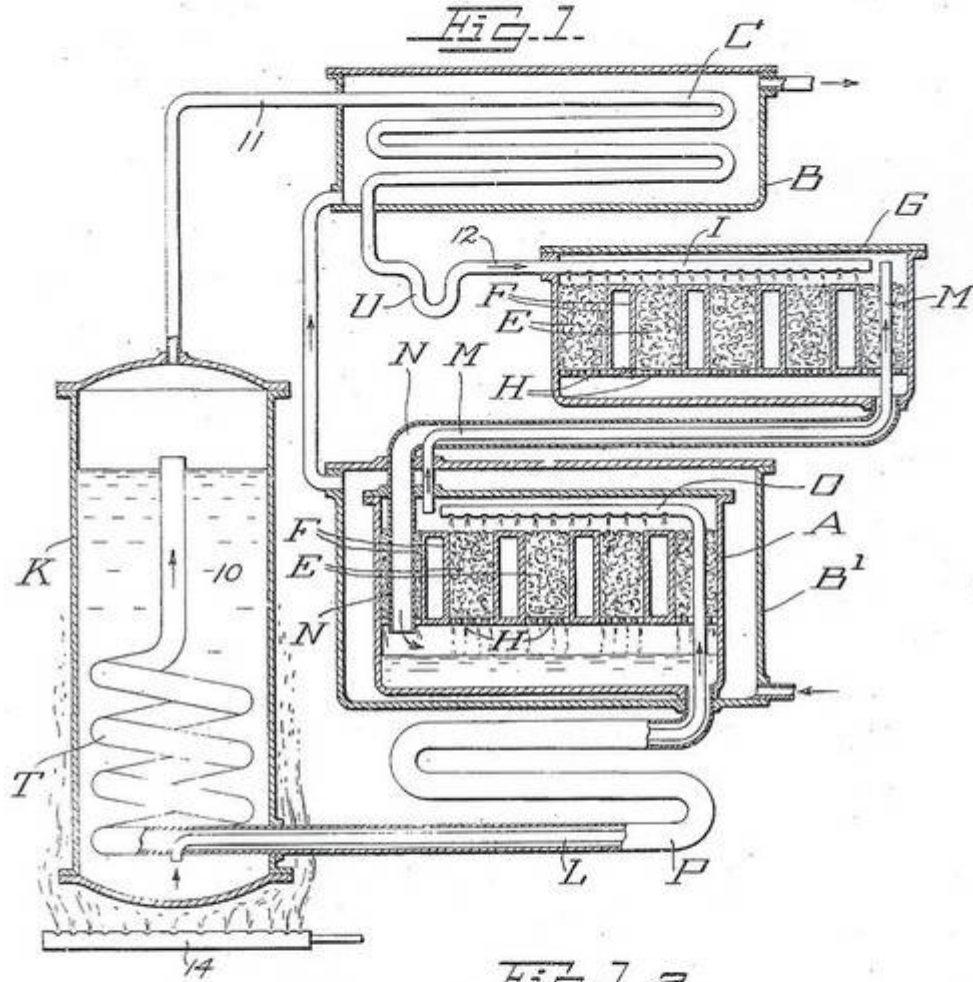
Dec. 7, 1926.

1,609,334

B. C. VON PLATEN ET AL

REFRIGERATION

Filed August 18, 1926 7 Sheets-Sheet 1

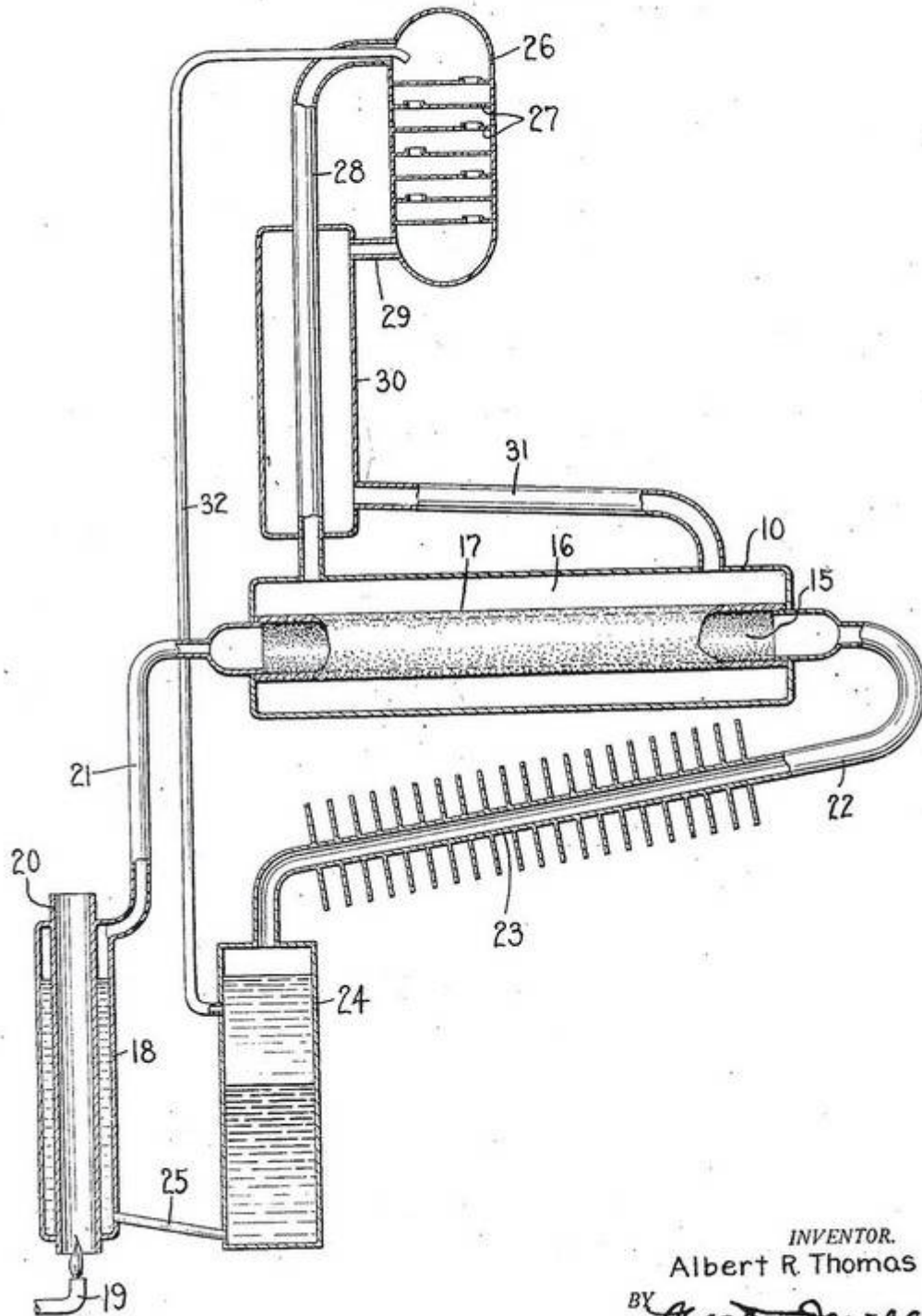


INVENTORS  
*Balthasar von Platen*  
*Karl Georg Munter*  
BY  
*J. T. Hedlund*  
ATTORNEY

June 26, 1934.

A. R. THOMAS  
REFRIGERATING SYSTEM  
Filed Sept. 18, 1931

1,964,391



INVENTOR.  
Albert R. Thomas  
BY *A. J. Dowell*  
ATTORNEY

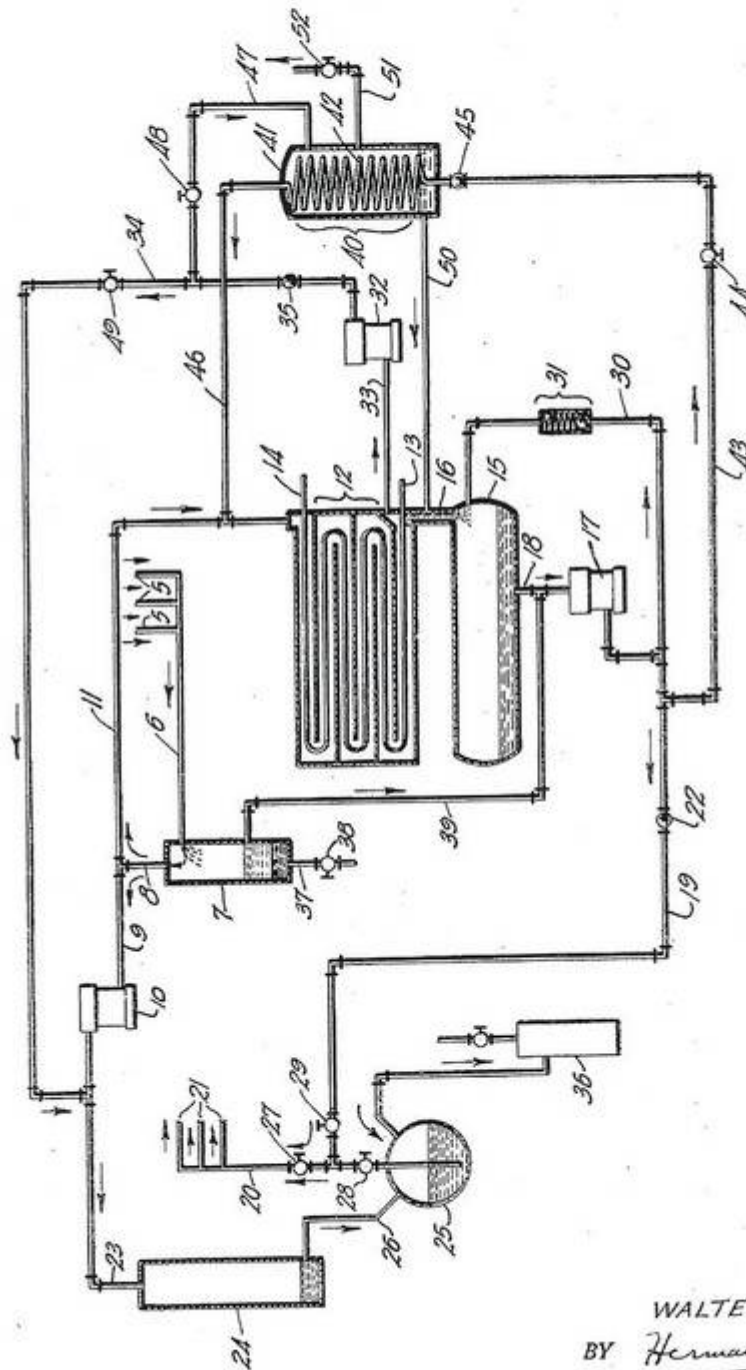
Jan. 31, 1939.

W. JONES

2,145,692

REFRIGERATING METHOD AND APPARATUS

Filed Dec. 8, 1936

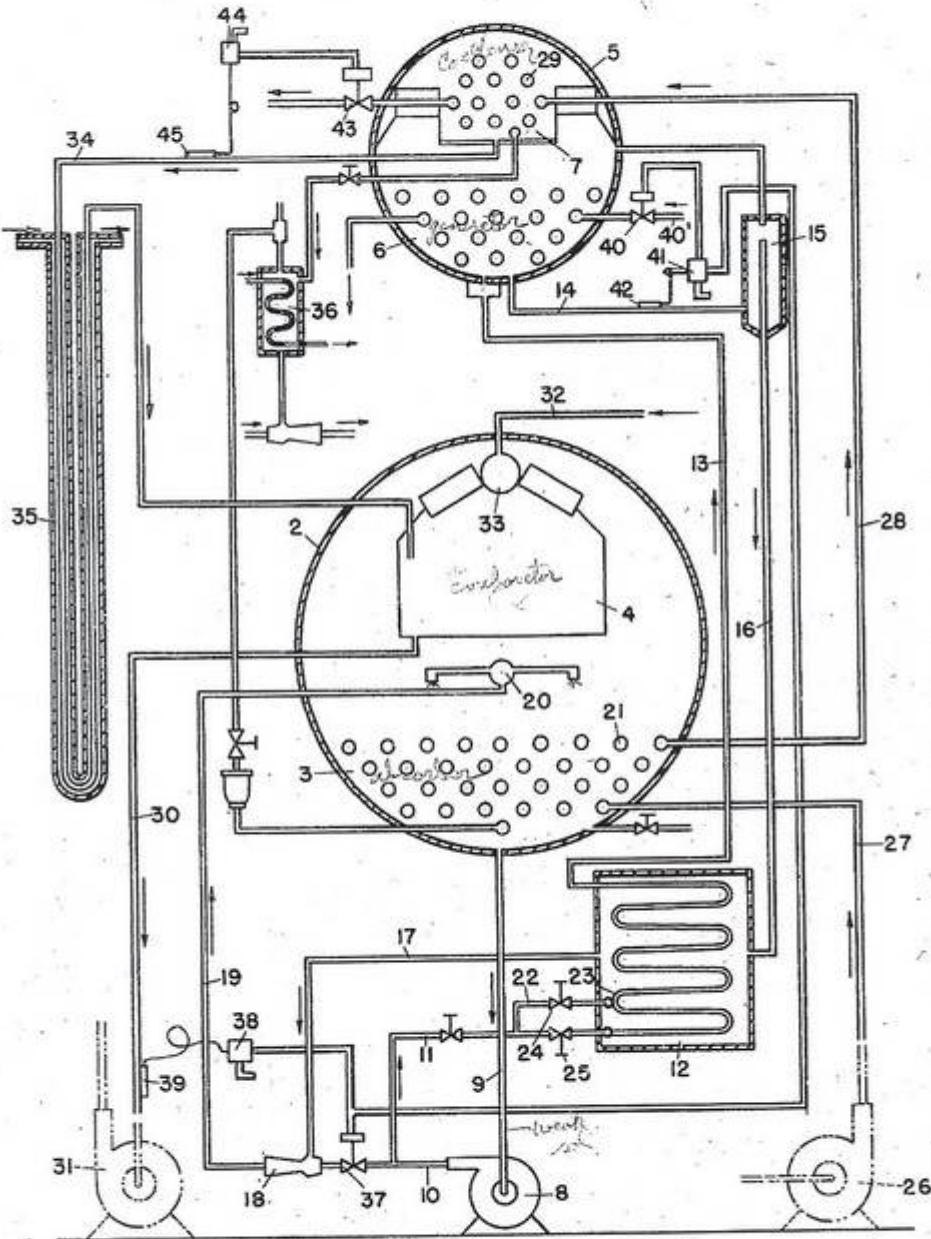


INVENTOR.  
WALTER JONES  
BY *Herman Seid*  
ATTORNEY

Feb. 15, 1949.

A. A. BERESTNEFF  
CONTROL ARRANGEMENT FOR ABSORPTION  
REFRIGERATION SYSTEMS  
Filed July 13, 1946

2,461,513



INVENTOR.  
*Alexis A. Berestneff*  
BY *Herbert Paul*