

# US PATENTS

## ROOM SELF-CONTAINED AIR CONDITIONING UNITS 1929-1946

March 26, 1929.

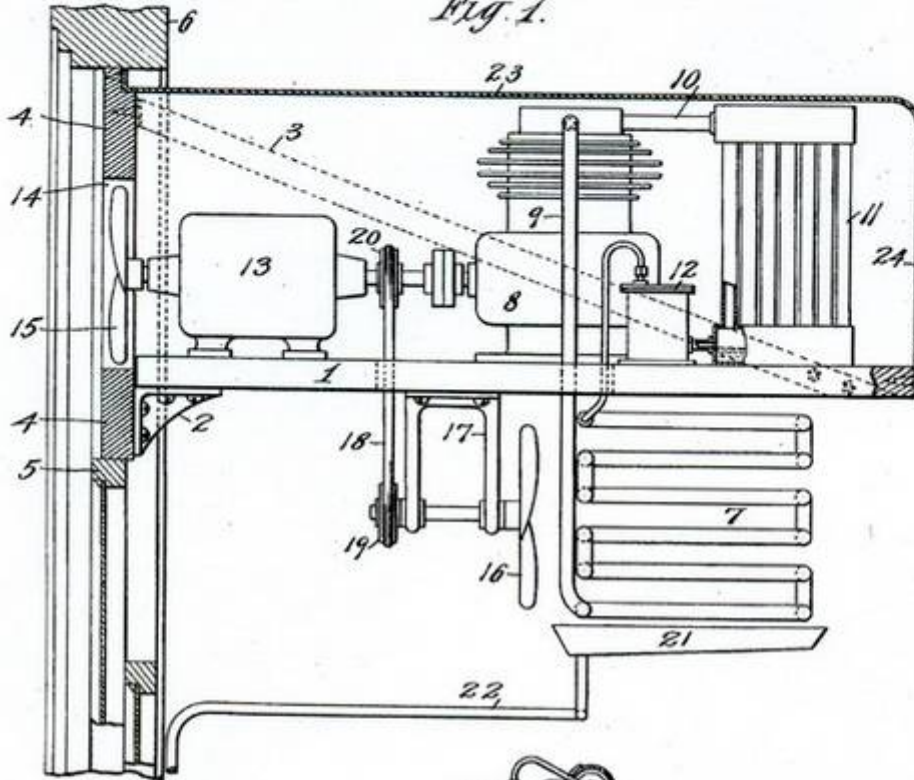
G. A. KRAMER

1,706,852

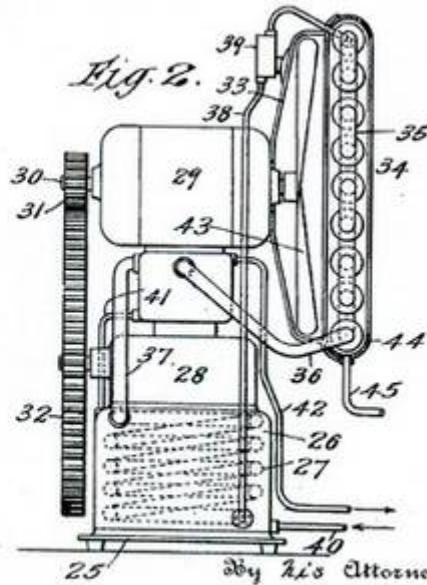
ROOM COOLING APPARATUS

Original Filed Feb. 7, 1918

*Fig. 1.*



*Fig. 2.*



Inventor

*Gustav A. Kramer*

*Philip S. Surgen Vice President*

By *A. S. Attorneys*

Nov. 17, 1931.

H. H. SCHUTZ

1,831,825

COOLING DEVICE

Filed July 10, 1926

2 Sheets-Sheet 1

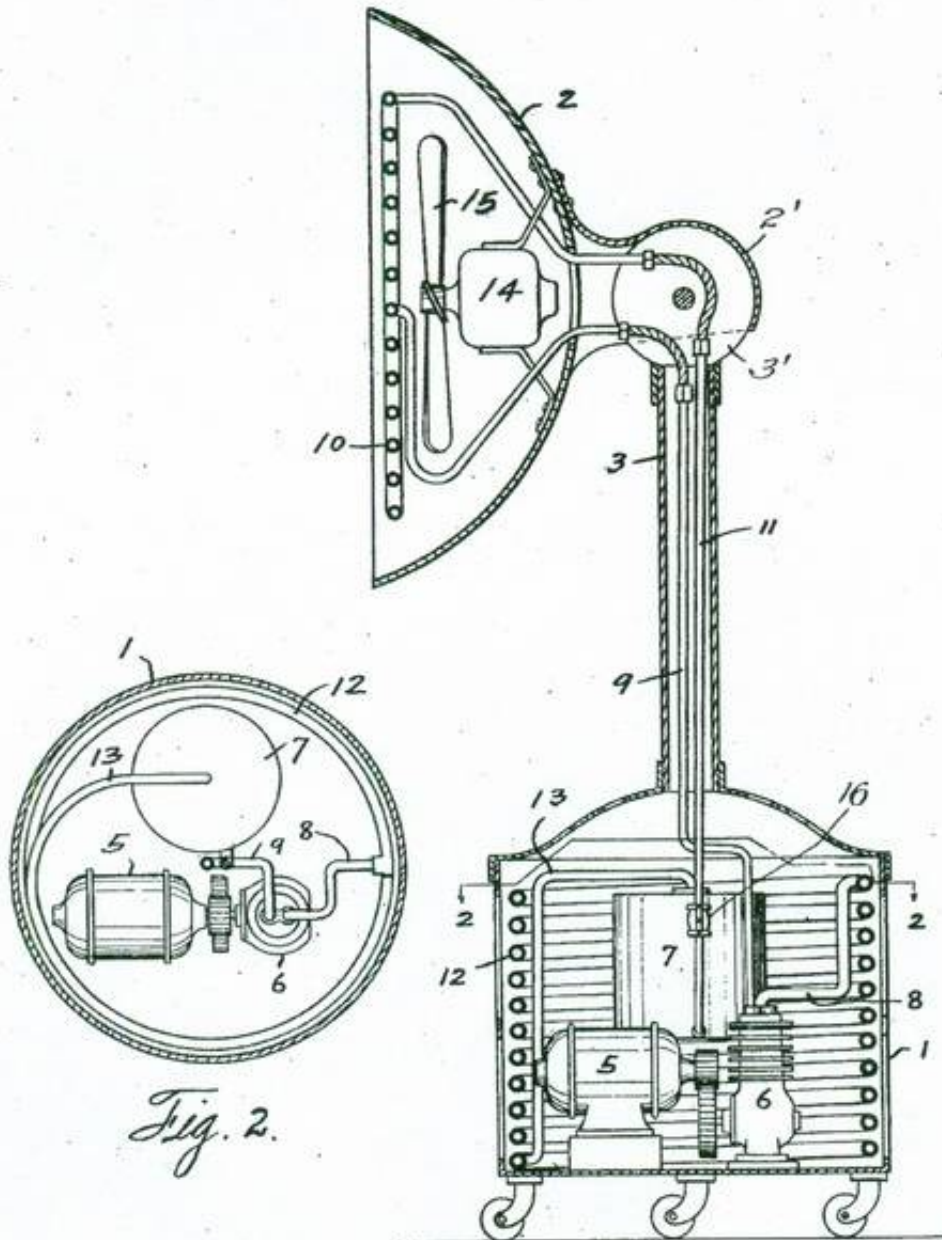


Fig. 2.

Fig. 1.

Inventor

Harry H. Schutz.

By

Harlow T. Latta

Attor.

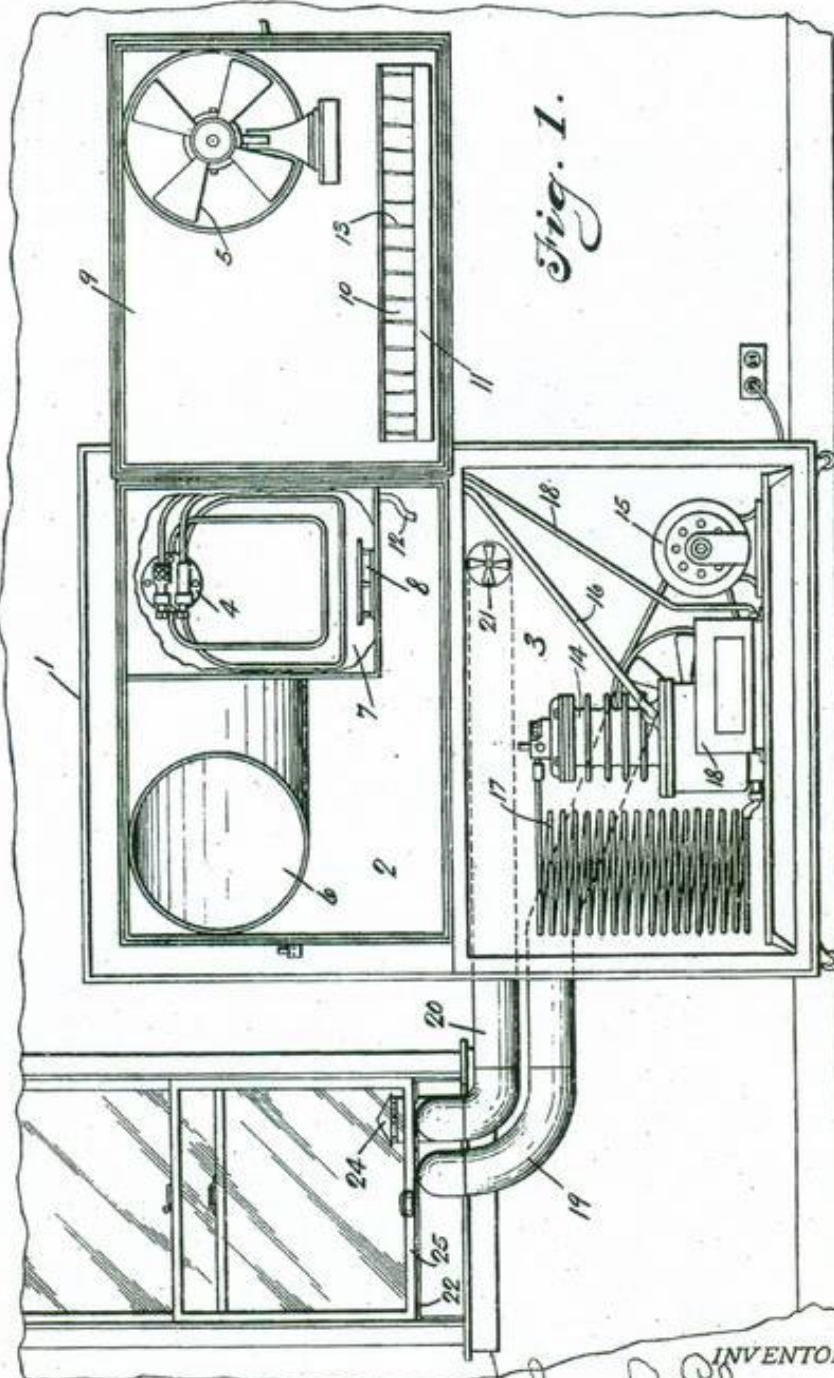
Dec. 13, 1932.

J. Q. SHERMAN

1,890,626

AIR COOLING APPARATUS

Original Filed Oct. 25, 1926 2 Sheets-Sheet 1



INVENTOR  
BY John L. Sherman  
D. P. Walker ATTORNEY

June 22, 1937.

J. M. FRANK ET AL

2,084,392

AIR CONDITIONING DEVICE

Filed Sept. 30, 1933

2 Sheets-Sheet 1

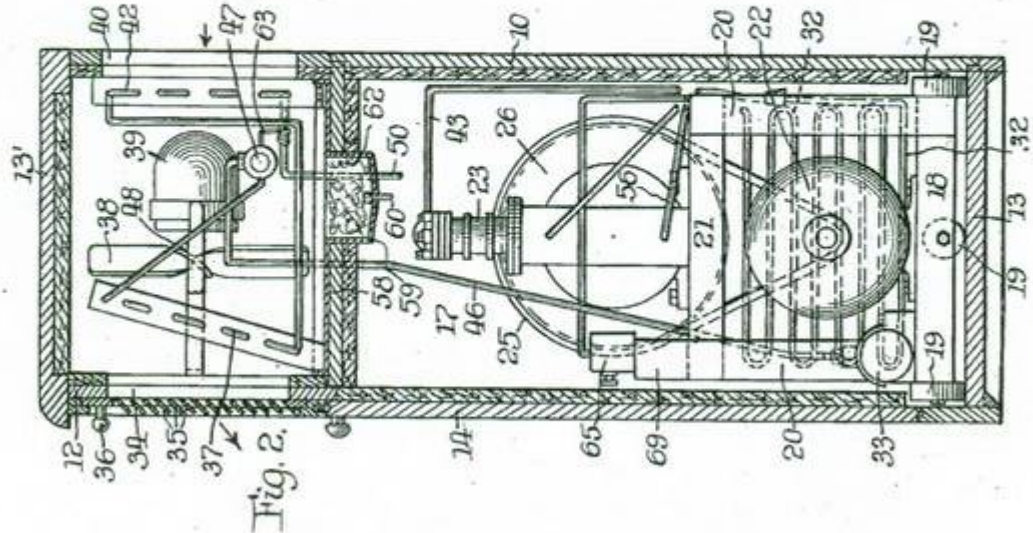


Fig. 2.

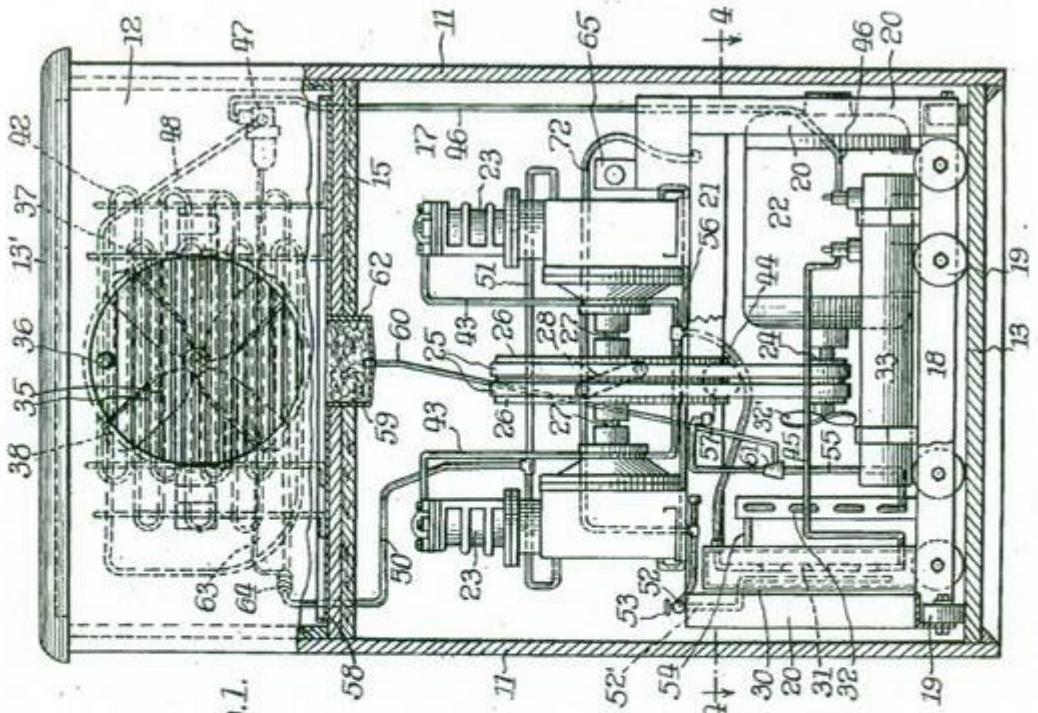


Fig. 1.

Inventors:

John M. Frank,  
Walter H. Rietz,

By Fisher, Clapp, Soaus & Pond, Attys.

Sept. 13, 1938.

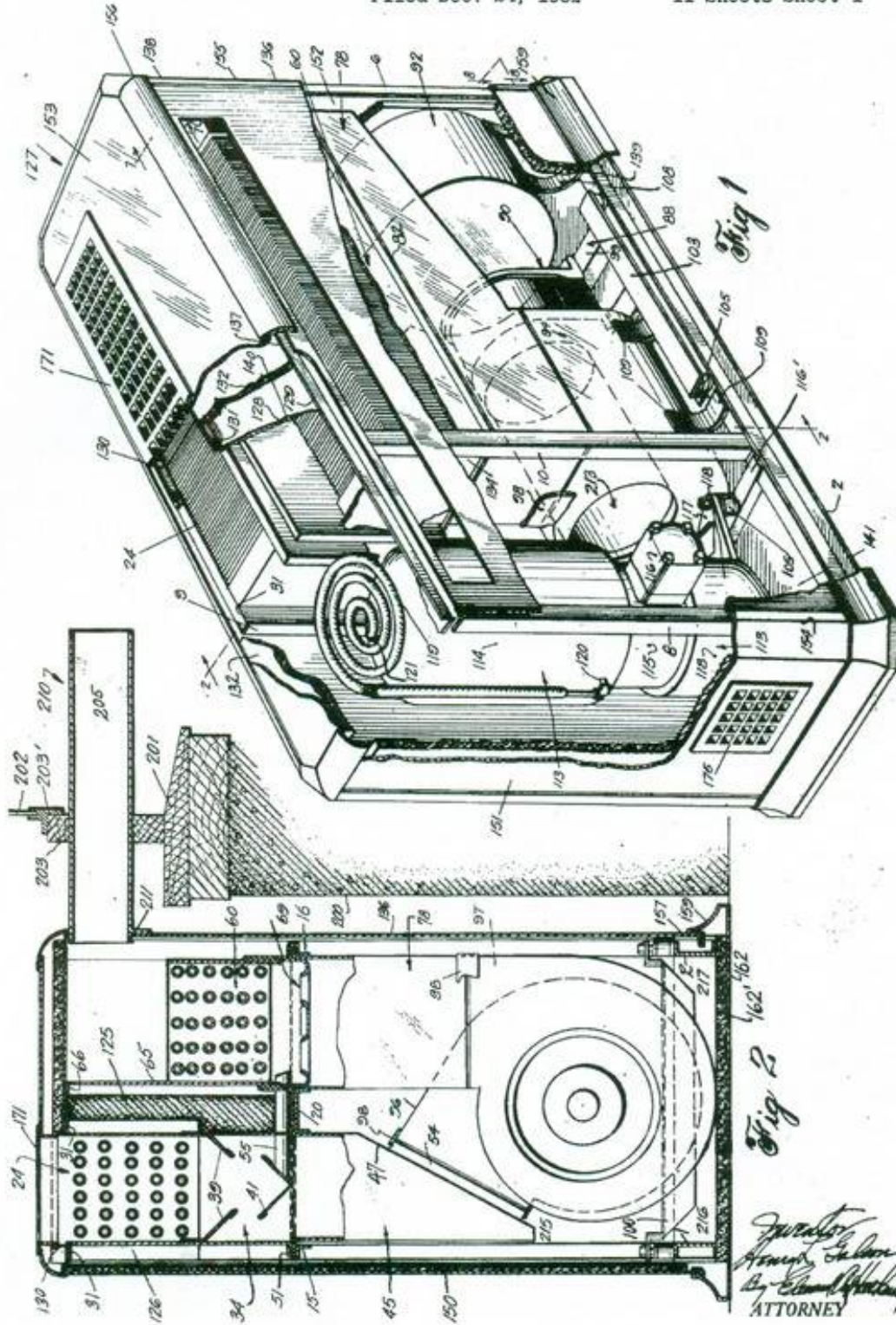
H. L. GALSON

2,130,327

AIR CONDITIONING APPARATUS

Filed Dec. 24, 1932

11 Sheets-Sheet 1



Inventor  
H. L. Galson  
By *Edward H. Galson*  
ATTORNEY

Jan. 26, 1943.

M. C. TERRY ET AL

2,309,224

SELF CONTAINED AIR CONDITIONER

Filed Jan. 11, 1940

4 Sheets-Sheet 1

FIG. 1.

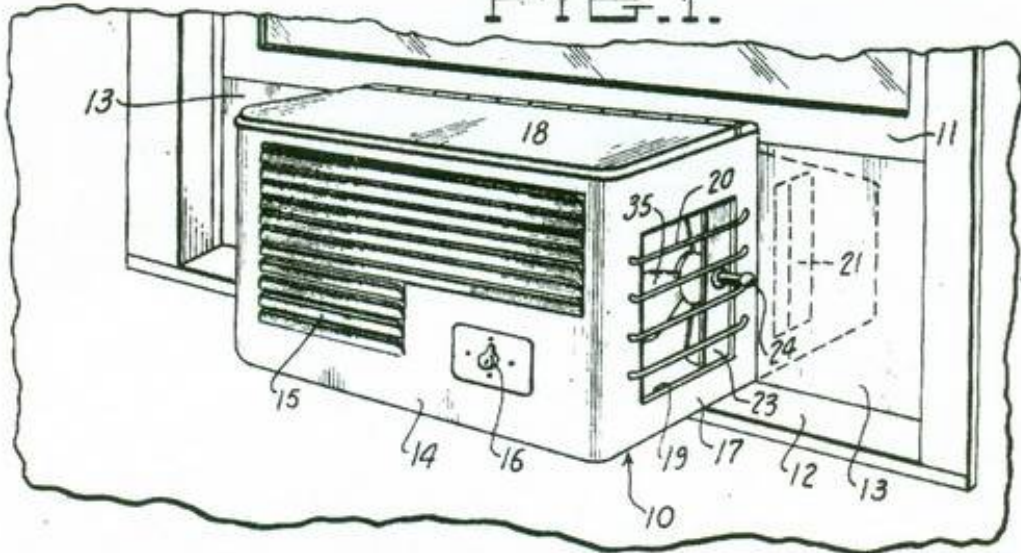
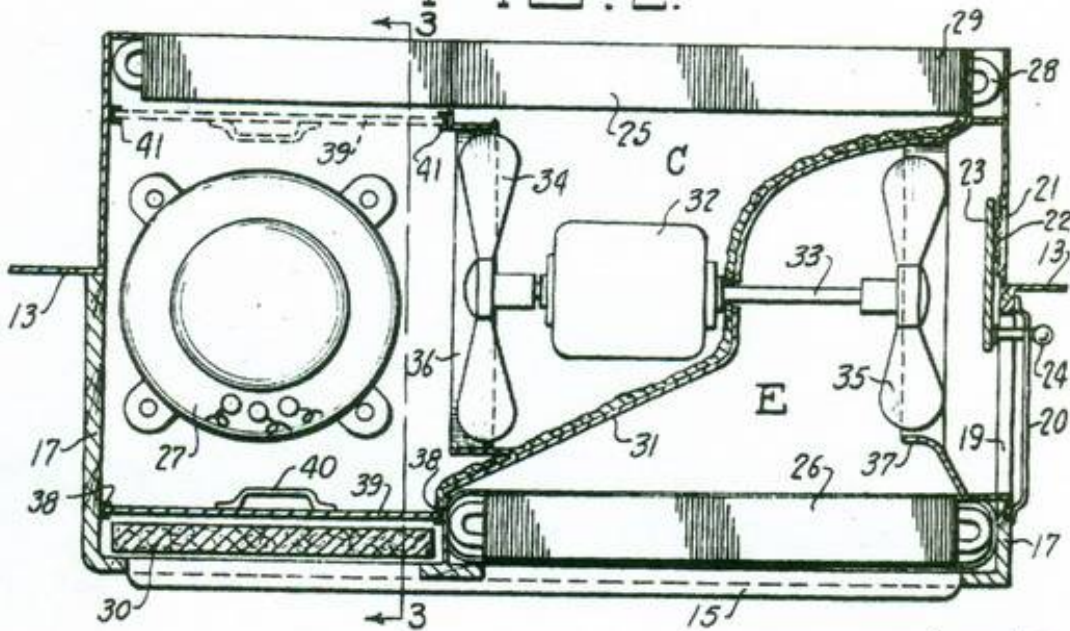


FIG. 2.



Inventors  
Matson C. Terry  
Paul Komroff

2341 *Maxwell W. Prater*

Attorney

Jan. 1, 1946.

E. BABCOCK

2,391,859

ROOM COOLING DEVICE

Original Filed Nov. 7, 1931

2 Sheets-Sheet 1

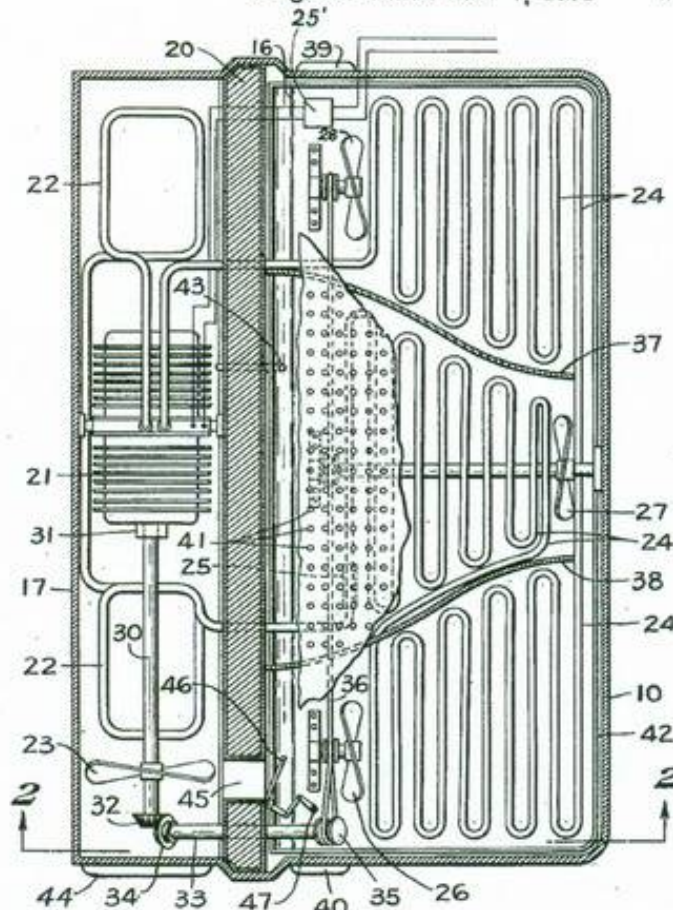


Fig. 1

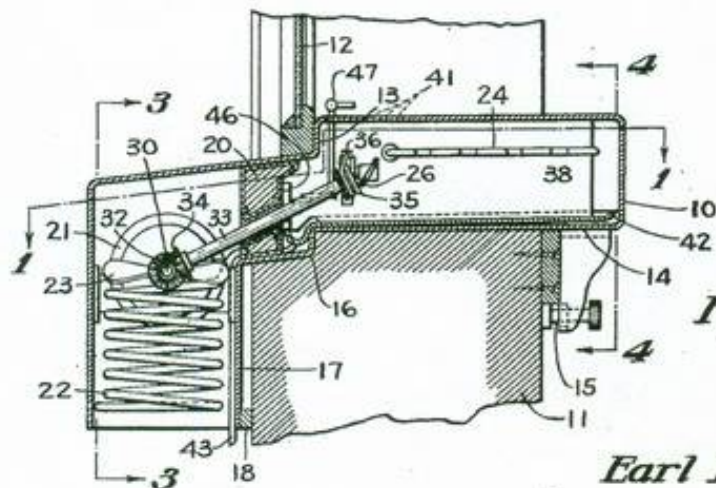


Fig. 2

INVENTOR

Earl Babcock

BY

Harry S. Dumas

ATTORNEY