

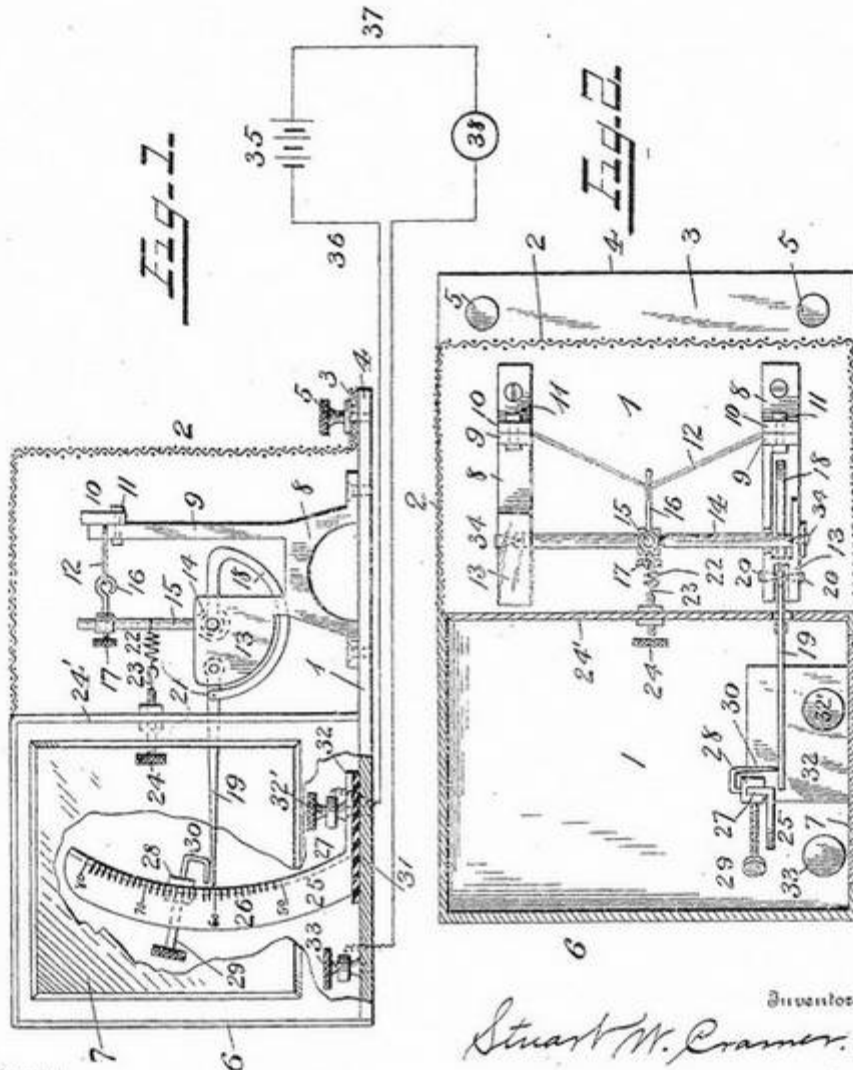
# US PATENTS

## AUTOMATIC CONTROLS 1906-1910

No. 809,672.

PATENTED JAN. 9, 1906.

S. W. CRAMER.  
 AUTOMATIC INDICATING AND REGULATING HYGROMETER.  
 APPLICATION FILED JAN. 9, 1905.



Witnesses  
 Frank L. Cragg  
 W. Parker Reinold

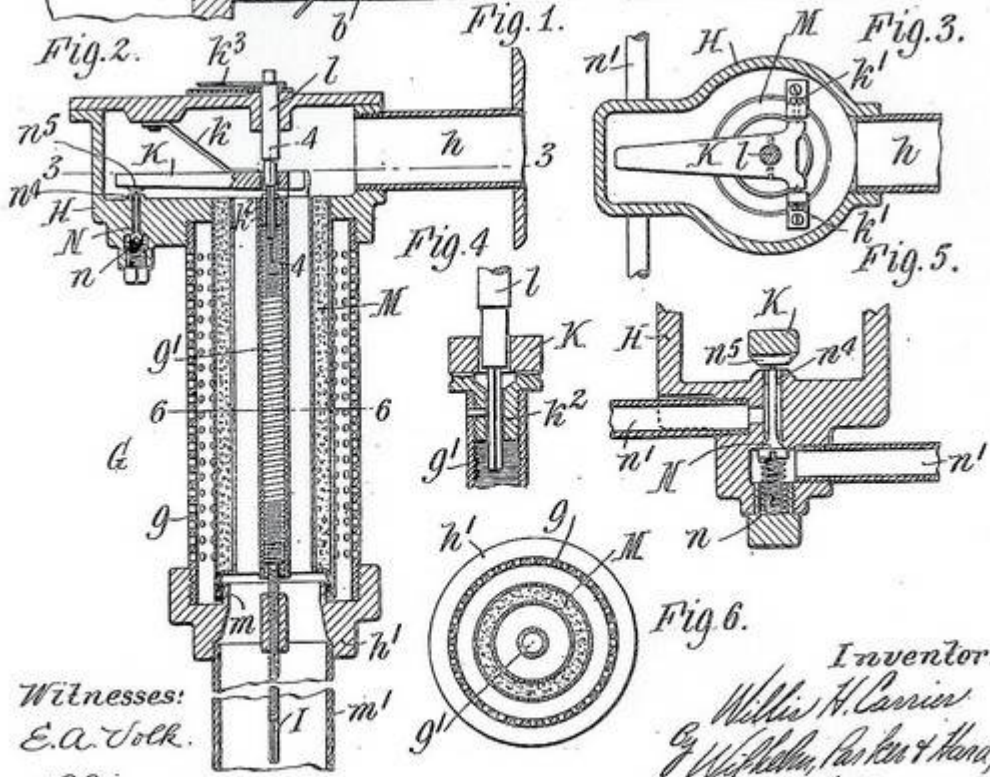
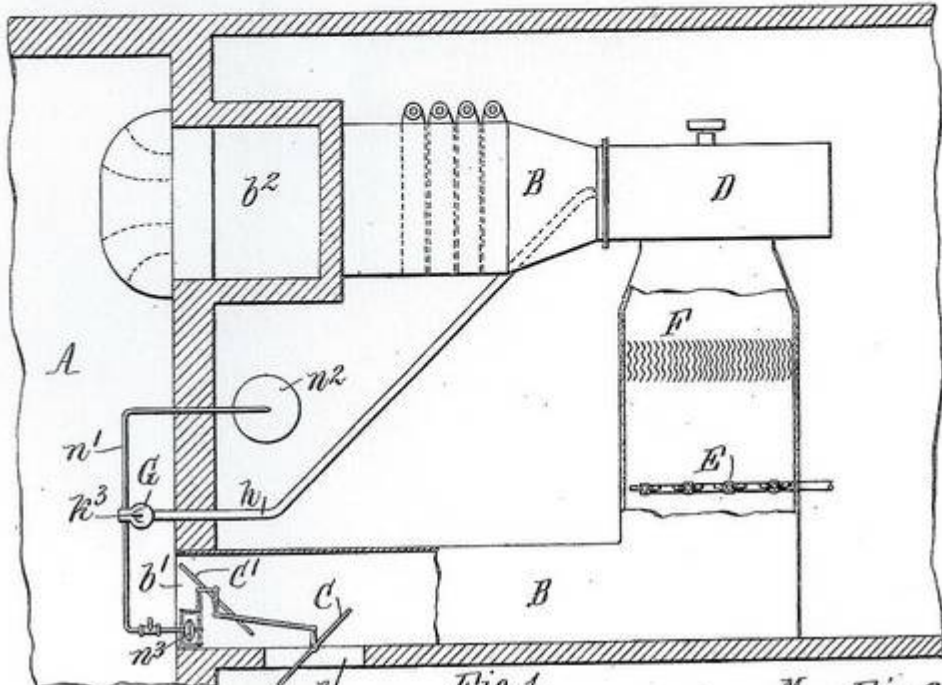
Inventor  
 Stuart W. Cramer.

By D. C. Reinold  
 Attorney

W. H. CARRIER.  
 DIFFERENTIAL THERMOSTAT.  
 APPLICATION FILED OCT. 11, 1907.

902,713.

Patented Nov. 3, 1908.



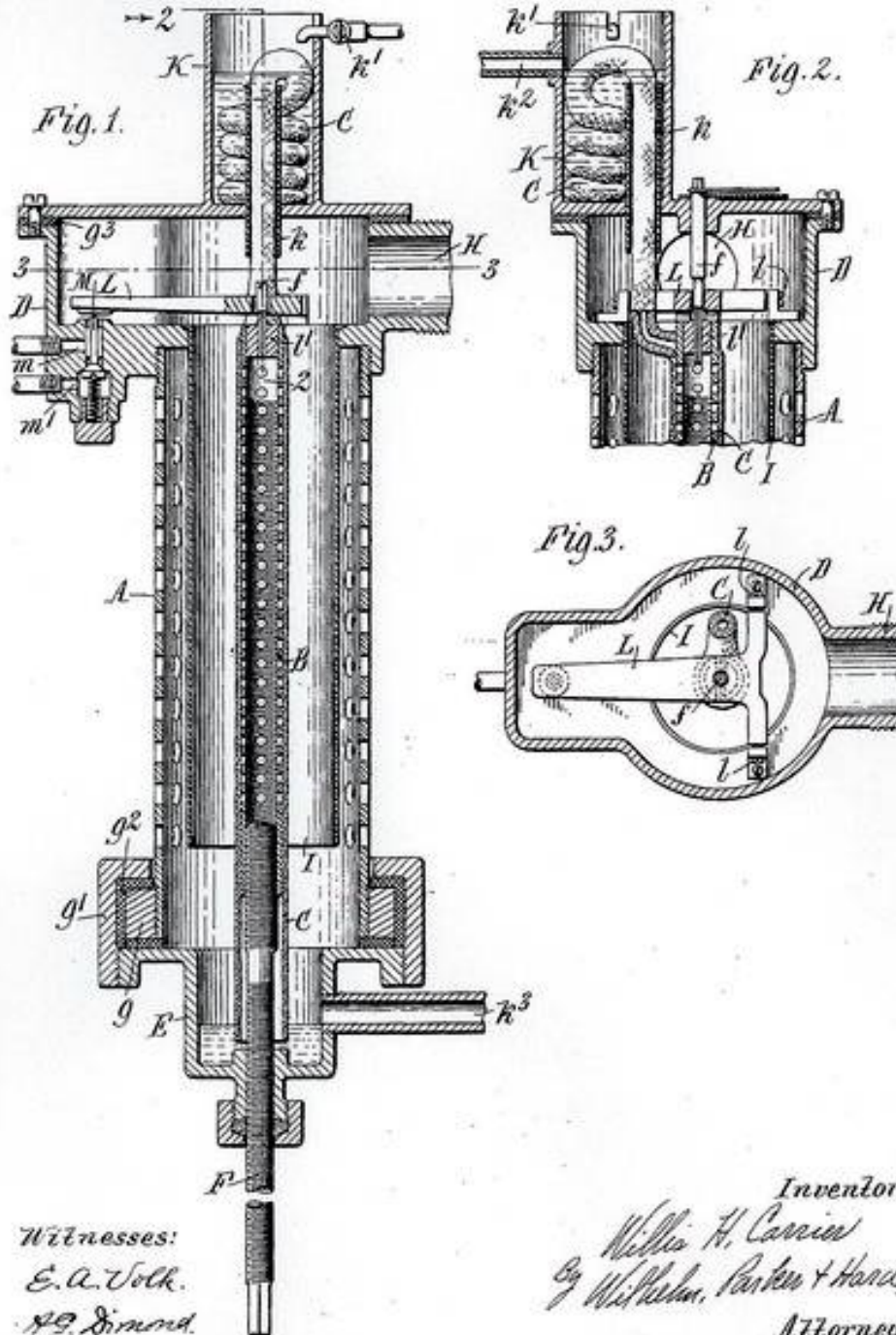
Witnesses:  
 E. A. Volk.  
 A. C. Dimond.

Inventor.  
 W. H. Carrier  
 G. W. Shelton, Parker & Hand,  
 Attorneys.

No. 896,690.

PATENTED AUG. 18, 1908.

W. H. CARRIER.  
DIFFERENTIAL THERMOSTAT.  
APPLICATION FILED OCT. 11, 1907.



Witnesses:  
E. A. Volk.  
W. G. Diamond.

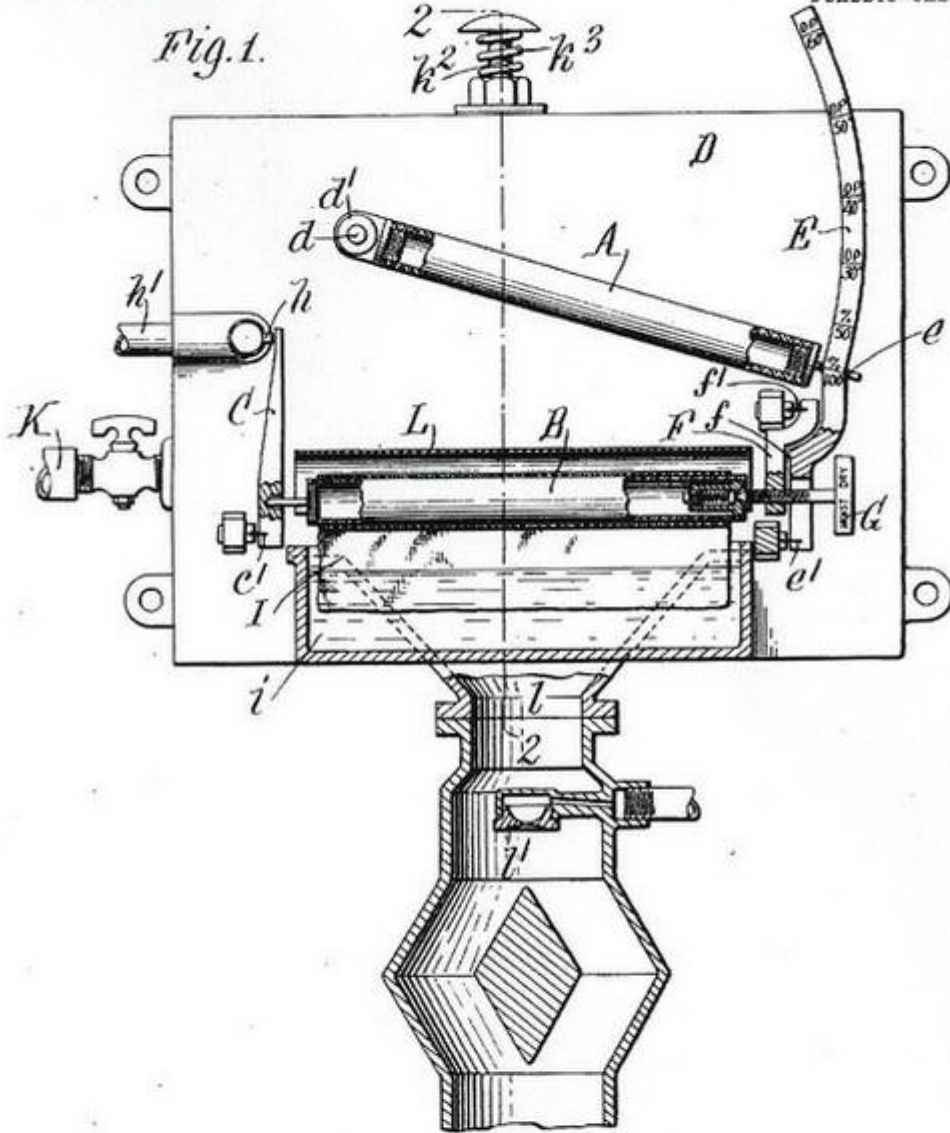
Inventor.  
Willis H. Carrier  
By William Parker & Hand,  
Attorneys.

W. H. CARRIER & E. W. COMFORT.  
 THERMOSTATIC REGULATING DEVICE.  
 APPLICATION FILED SEPT. 28, 1908.

929,655.

Patented Aug. 3, 1909.

2 SHEETS—SHEET 1.



Witnesses:

E. A. Volk.  
 A. G. Dimond.

Inventors.  
 Willis H. Carrier,  
 Edward W. Comfort,  
 by Will H. Parker & Hand,  
 Attorneys.

E. W. COMFORT.  
 HUMIDITY REGULATOR.  
 APPLICATION FILED MAR. 14, 1908.

977,933.

Patented Dec. 6, 1910.

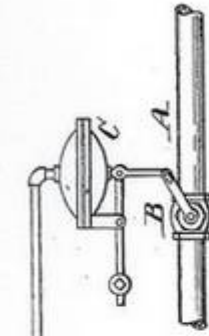


FIG. 1

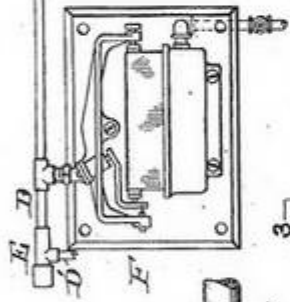


FIG. 2

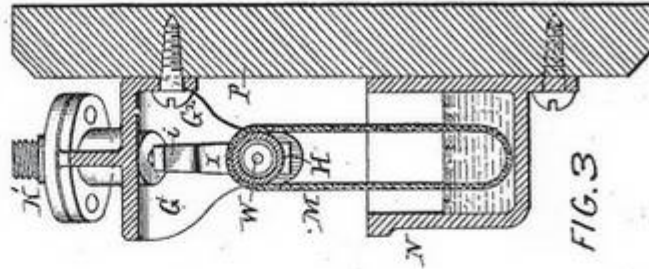
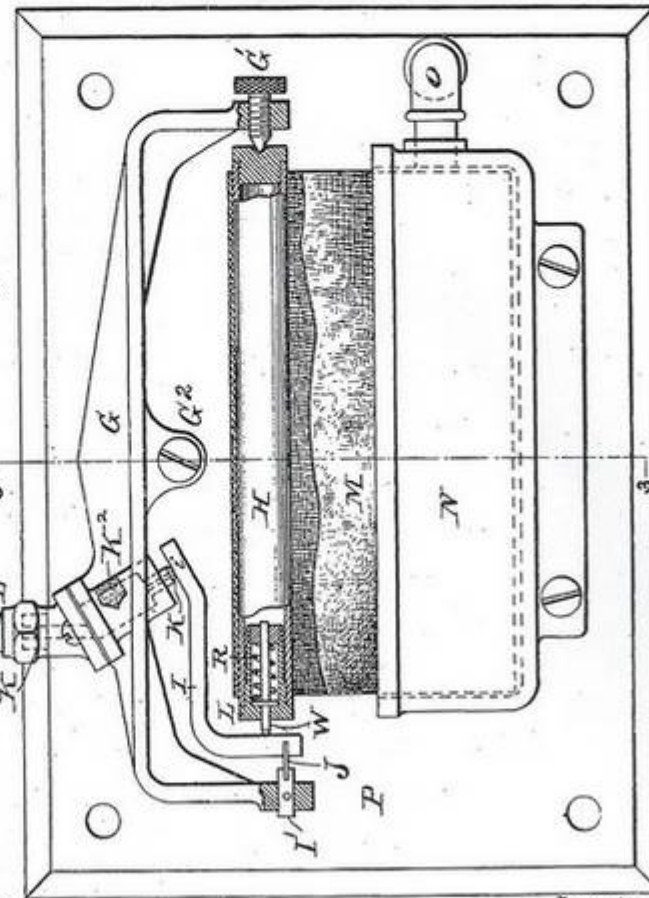


FIG. 3



Inventor

Witnesses  
 Daniel Webster, Jr.  
 A. M. Kelly.

Edward W. Comfort

*[Signature]*  
 Attorney