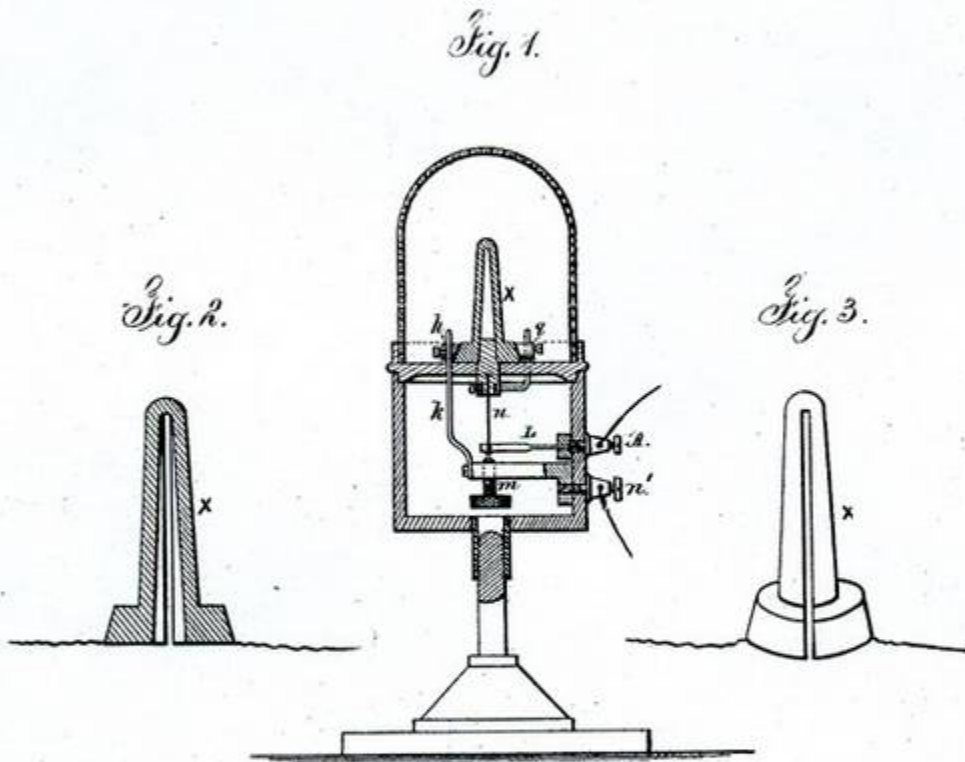


US PATENTS ELECTRIC LAMPS

T. A. EDISON.
Electric-Light.

No. 219,628.

Patented Sept. 16, 1879.



Witnesses

Chas. H. Smith
Geo. D. Prickney

Inventor

Thomas A. Edison.

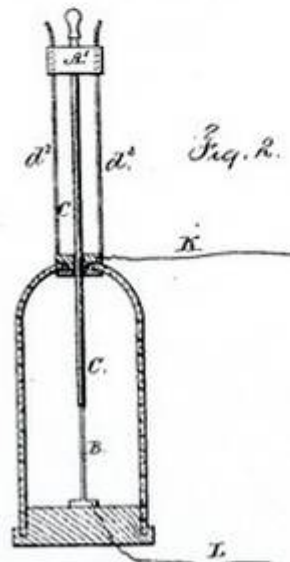
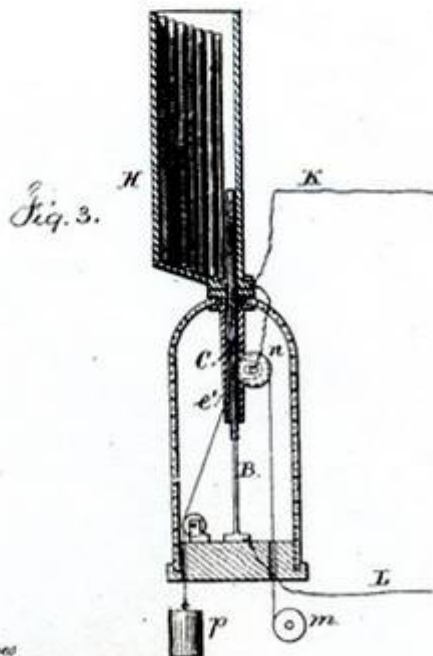
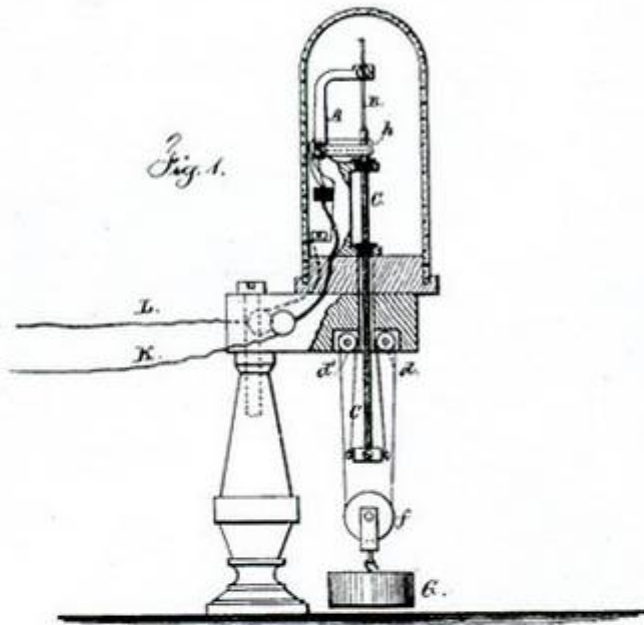
per Lemuel W. Lurvell

att'y

T. A. EDISON.
Electric-Lighting Apparatus.

No. 224,329.

Patented Feb. 10, 1880.



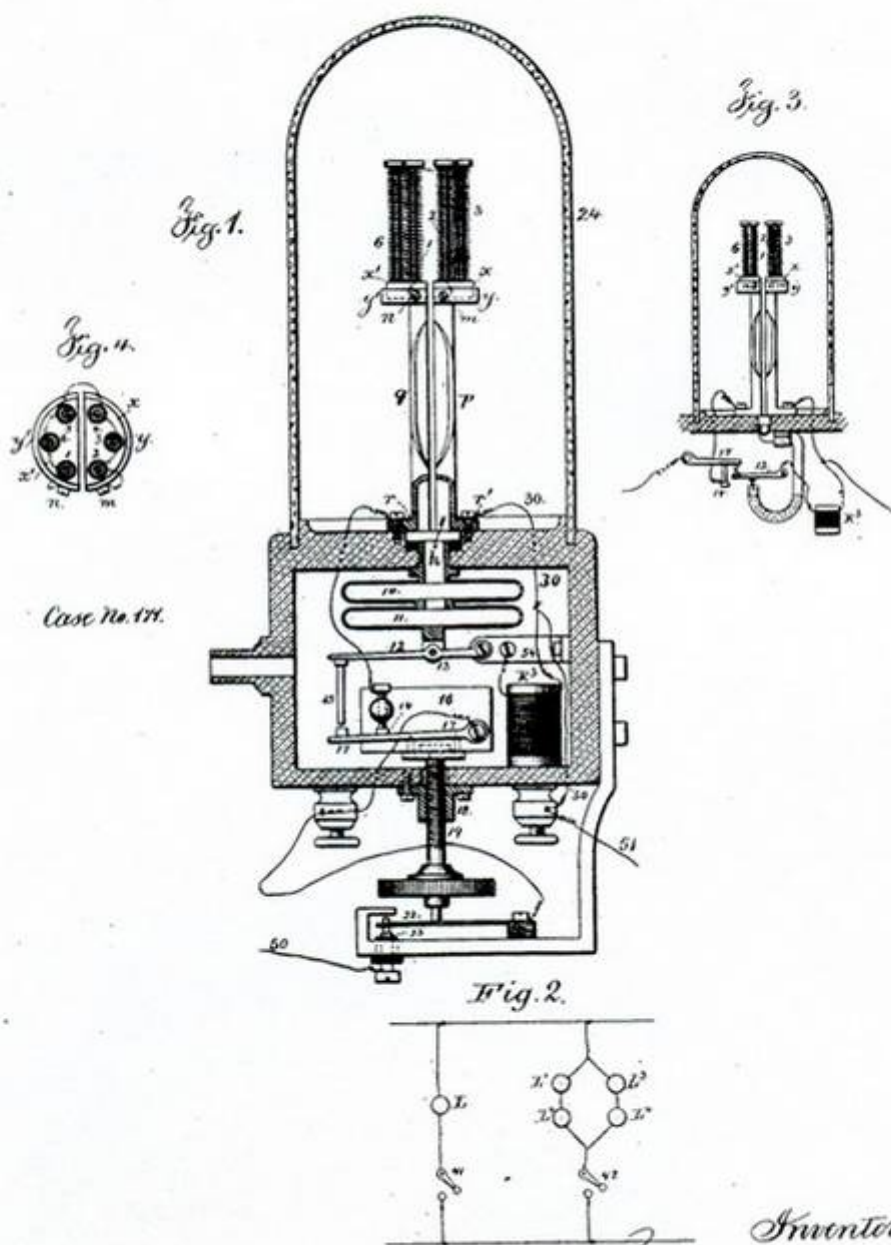
Witnesses
Chas. H. Smith
Geo. J. Pinekey

Inventor
Thomas A. Edison
per Lemuel W. Perrell atty.

T. A. EDISON.
Electric-Lights.

No. 227,227.

Patented May 4, 1880.



Case No. 177.

Witnesses

Charles Smith
Geo. D. Pinckney

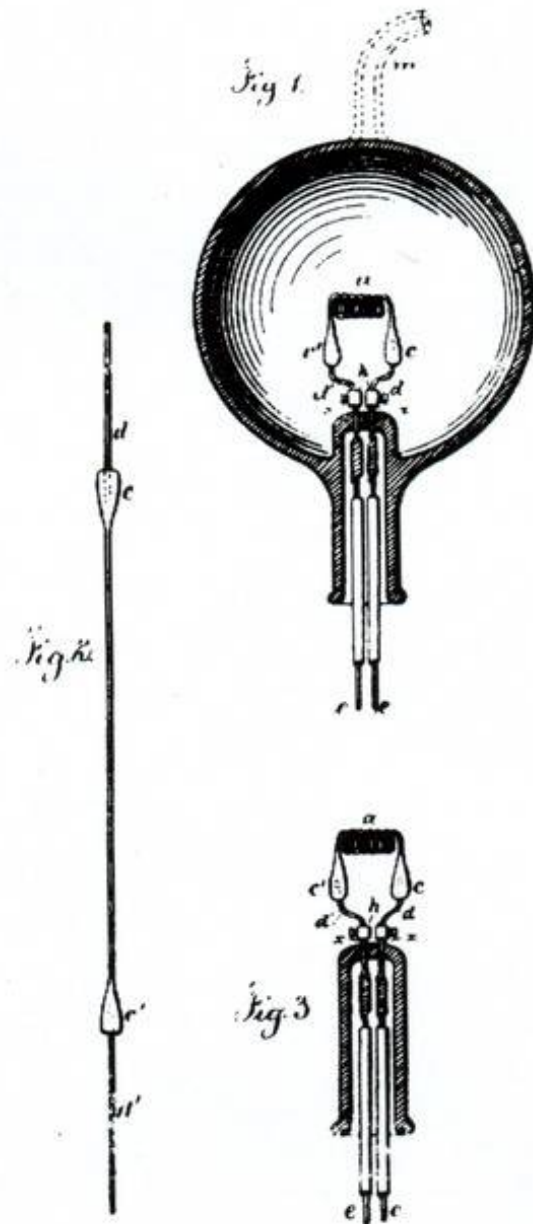
Inventor

Thomas A. Edison
per Samuel W. Lorrill

T. A. EDISON.
Electric-Lamp.

No. 223,898.

Patented Jan. 27, 1880.



Witnesses

Chas. H. Smith
Geo. P. Mackney

Inventor
Thomas A. Edison

per Lemuel W. Ferrell

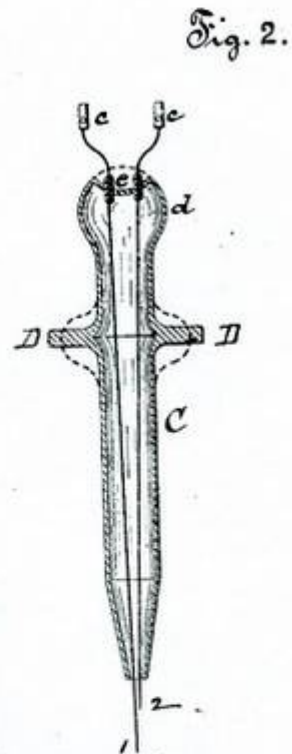
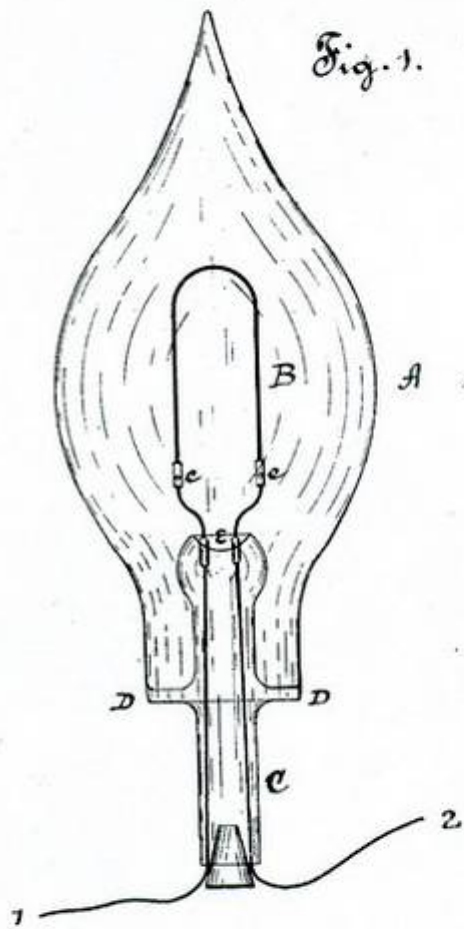
att'y.

(No Model.)

T. A. EDISON.
Incandescing Electric Lamp.

No. 239,149.

Patented March 22, 1881.



Attest:

O. D. Mott
W. H. Howard

Inventor:

Thos. A. Edison,
per Dyer & Miller

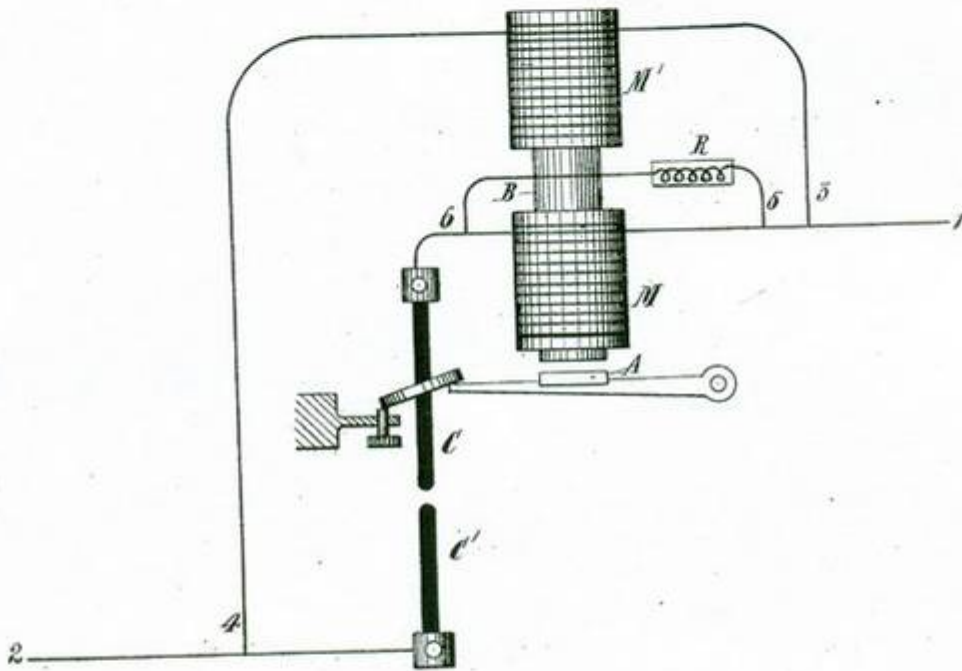
Atlys.

(No Model.)

T. A. EDISON.
ELECTRIC ARC LIGHT.

No. 297,580.

Patented Apr. 29, 1884.



WITNESSES:

D. W. Mott
Thomas E. Birch

INVENTOR:

T. A. Edison
BY *Dyer & Miller*
ATTORNEYS.

N. TESLA. ELECTRIC ARC LAMP.

No. 335,786.

Patented Feb. 9, 1886.

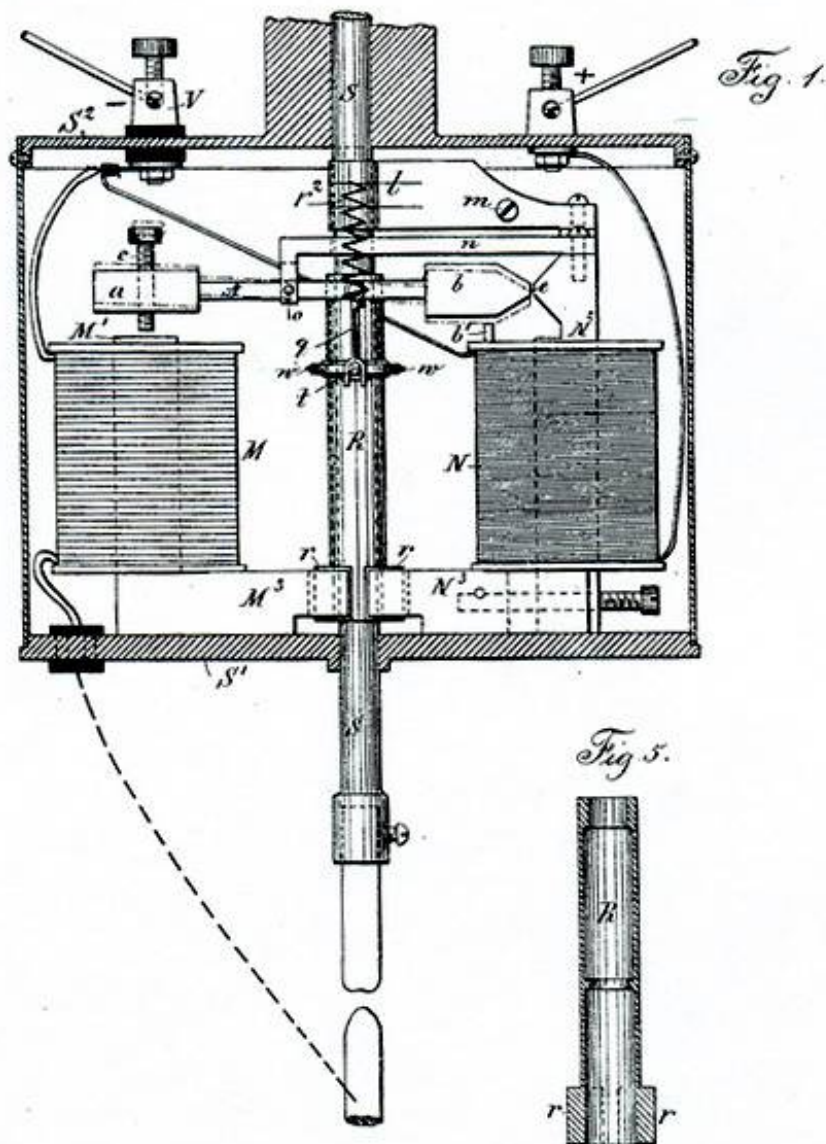


Fig. 5.



Fig. 4.



Witnesses:
J. Stait
Chas. H. Smith

Inventor:
Nikola Tesla
 per *Lemuel W. Perrell*

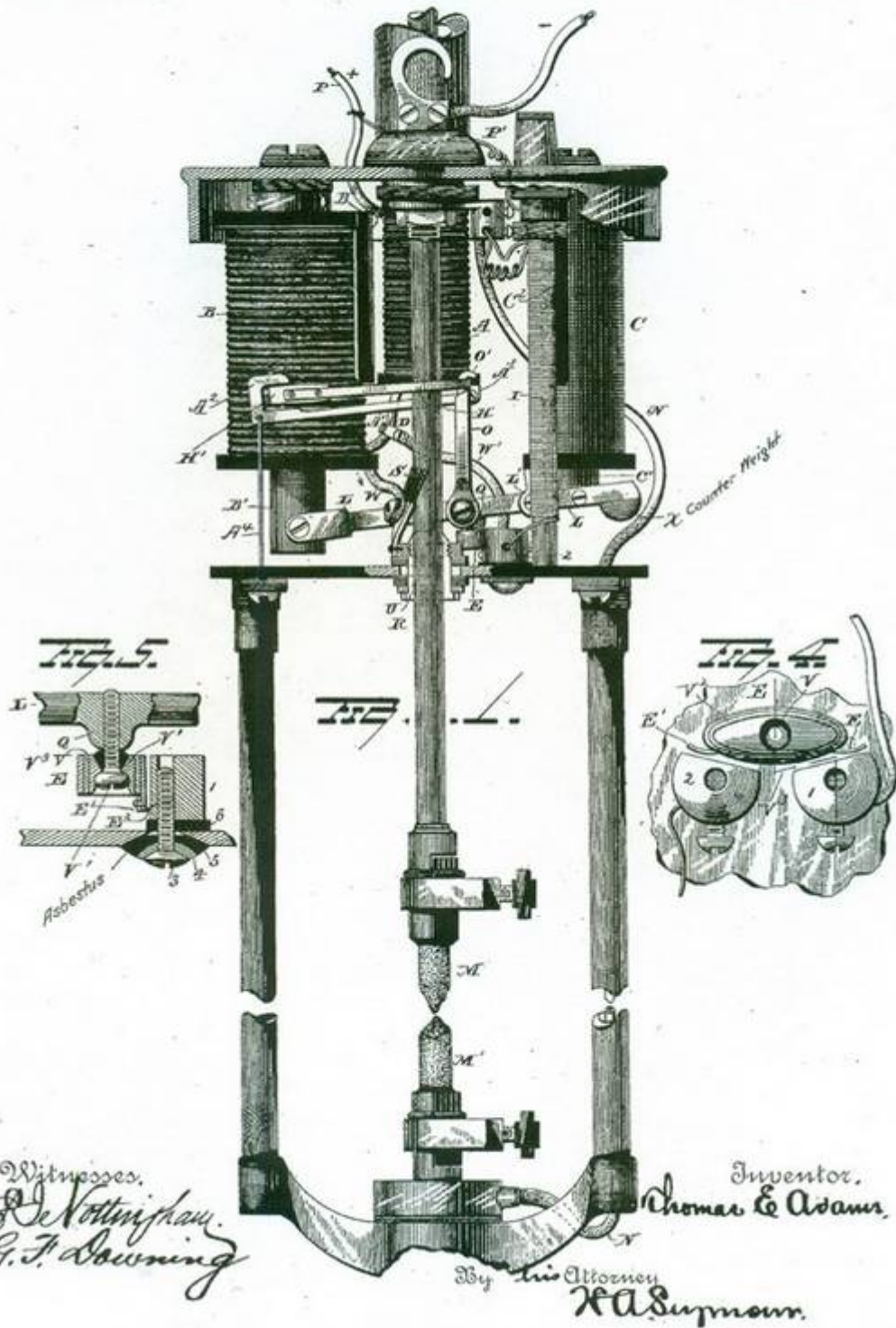
(No Model.)

3 Sheets—Sheet 1.

T. E. ADAMS.
ARC LAMP.

No. 380,074.

Patented Mar. 27, 1888.



Witnesses.
De Vottingham.
C.F. Downing

Inventor.
Thomas E. Adams.

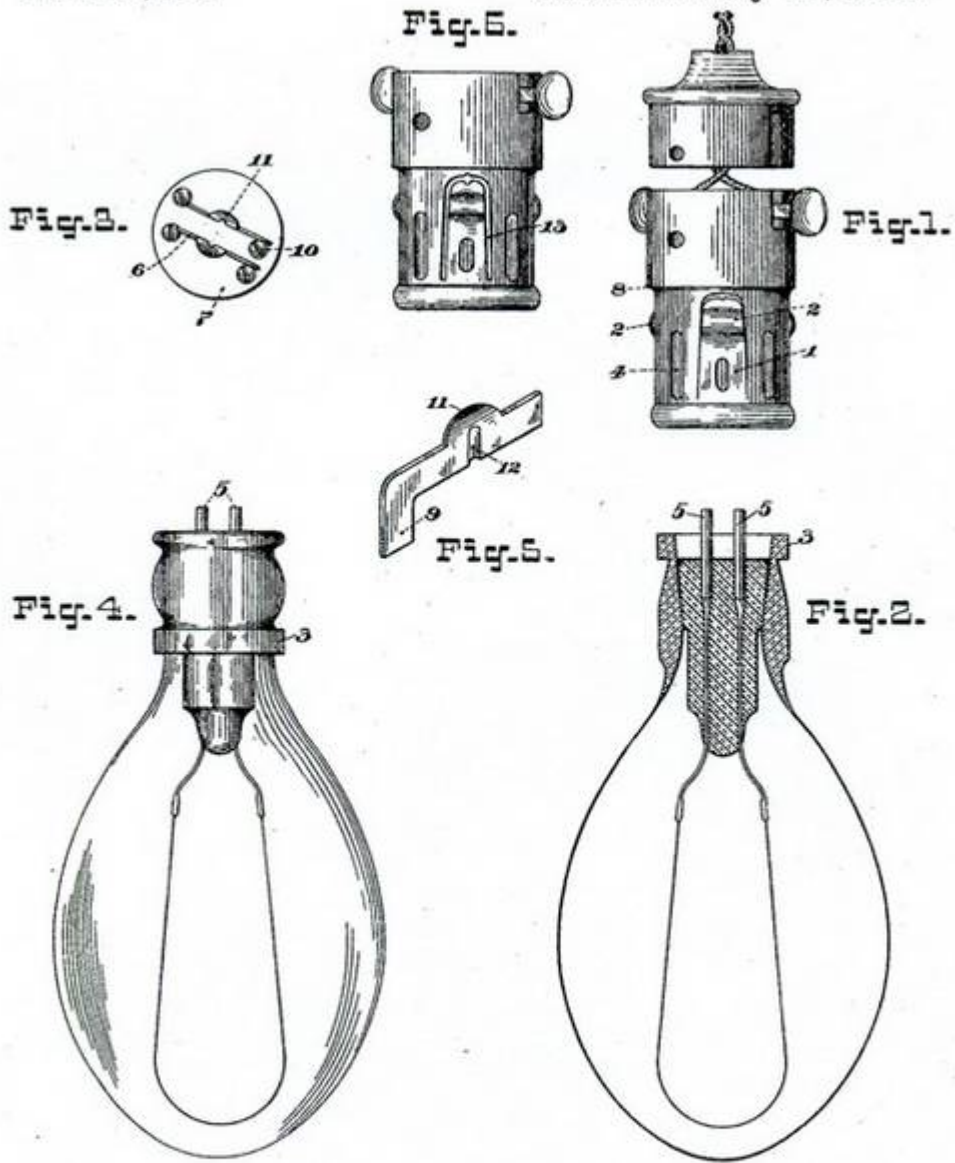
By his Attorney
H.A. Seymour.

(No Model.)

G. WESTINGHOUSE, Jr.
INCANDESCENT ELECTRIC LAMP.

No. 543,280.

Patented July 23, 1895.



Witnesses *Ernest H. Henrichs*
H. C. Turner

Geo. Westinghouse, Jr.
Inventor

By *his* Attorney *H. Mackay*