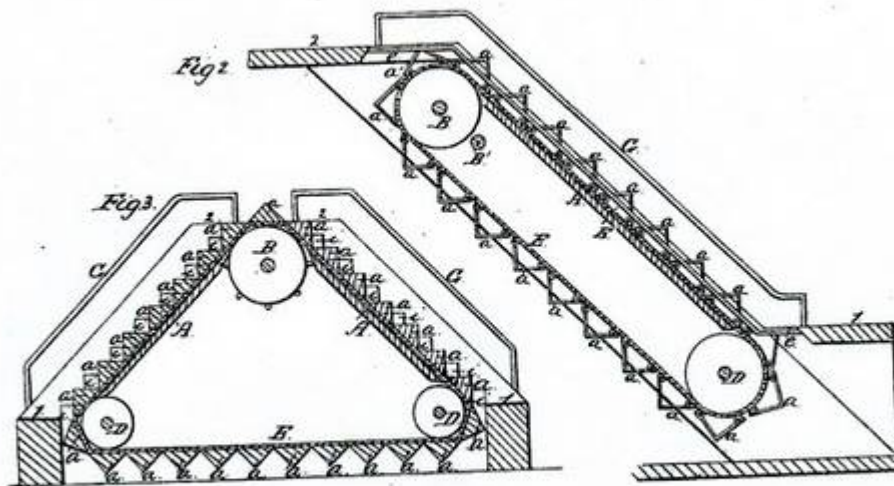
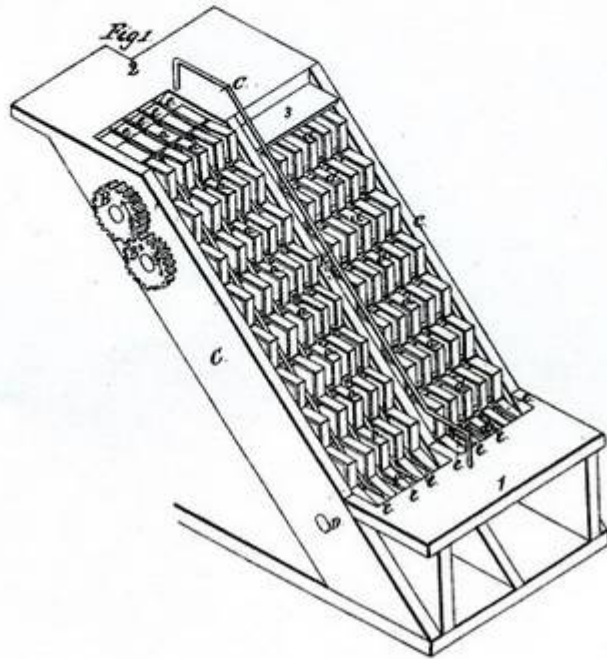


US PATENTS
ELEVATORS & ESCALATORS 1859-1911

N. AMES.
REVOLVING STAIRS.

25,076.

Patented Aug. 9, 1859.



Witnesses
D. A. Ames
S. A. Ames

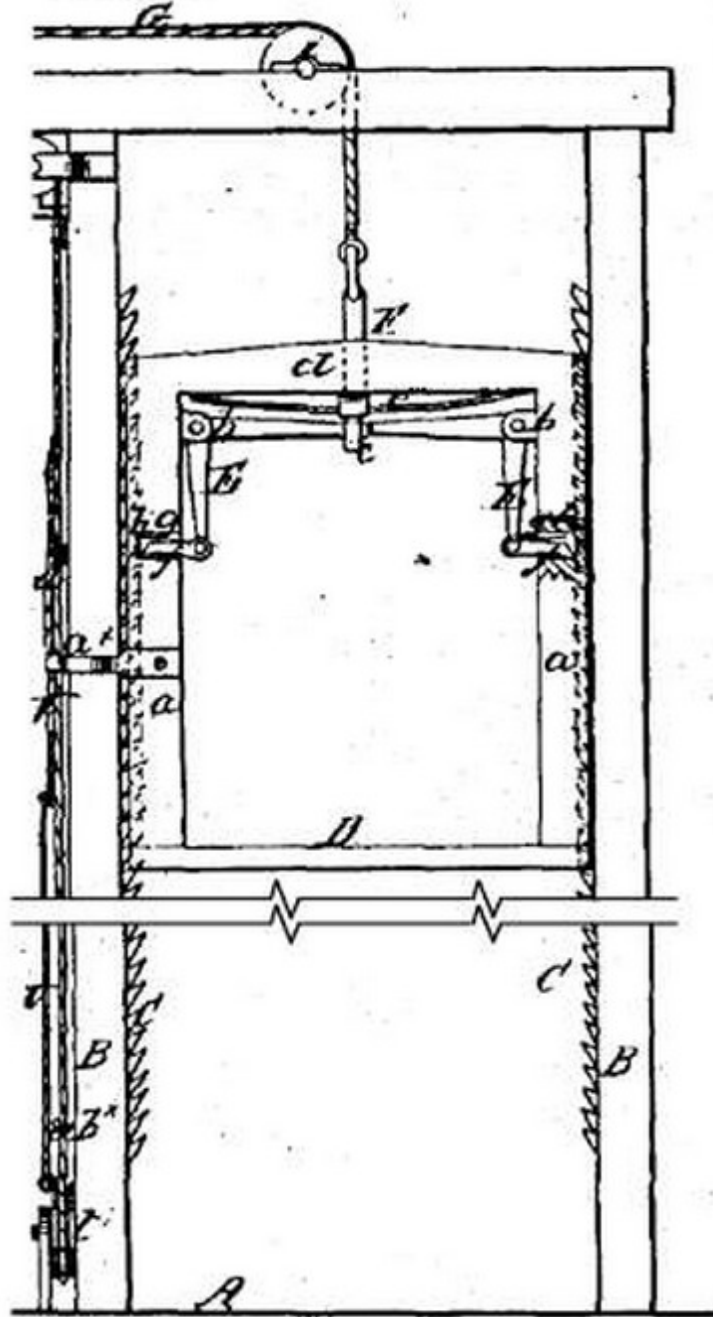
Inventor
Nathan Ames

E. G. OTIS.

HOISTING APPARATUS.

No. 31,128. Patented Jan. 15, 1861.

Fig. 2



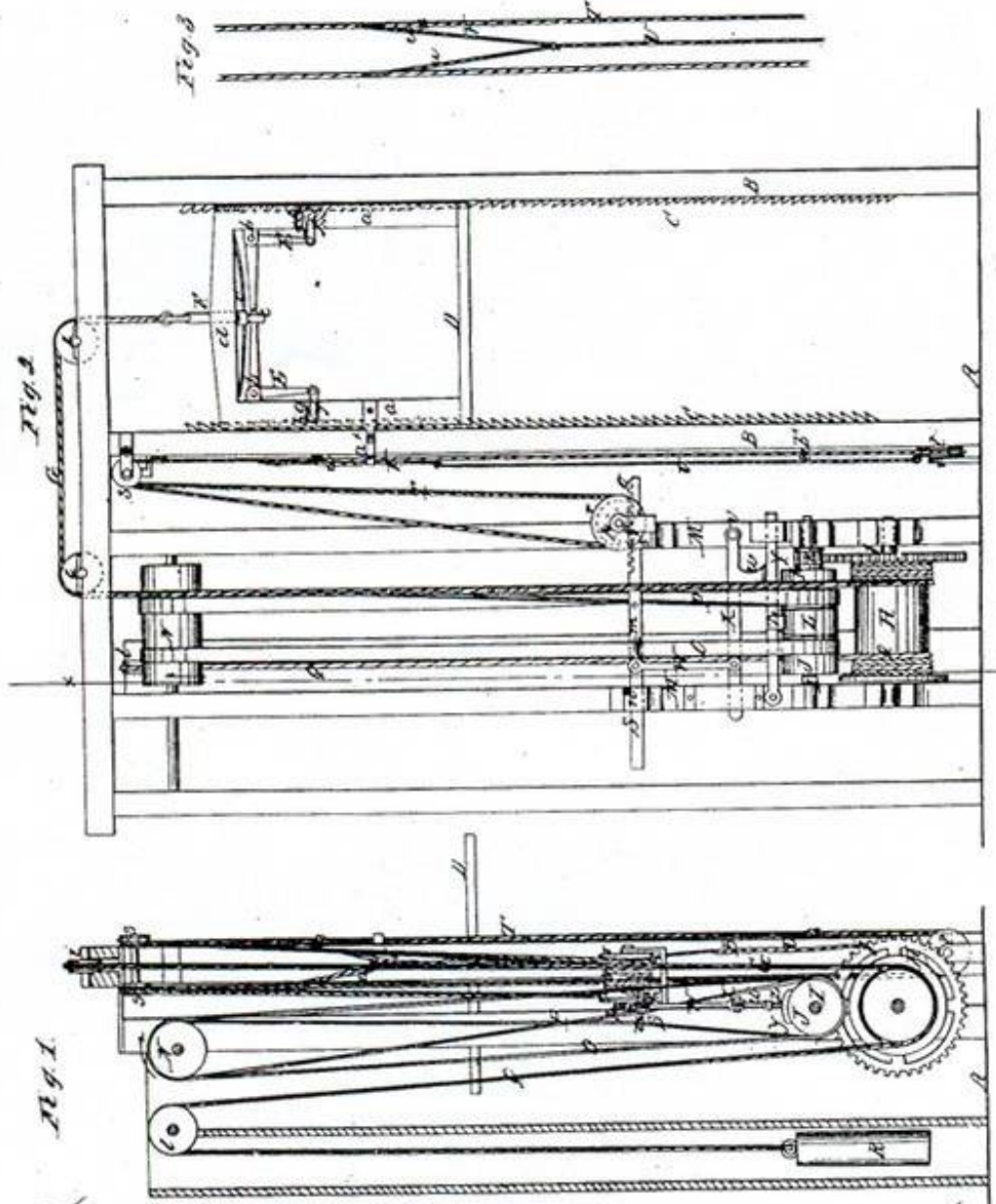
Witnesses.
Wm. L. Mumford
Wm. Reed

Inventor.
E. G. Otis

E. G. OTIS.
HOISTING APPARATUS.

No. 31,128.

Patented Jan. 15, 1861.



Witnesses
Wm. H. ...
Ed. ...

Inventor
E. G. Otis

C. R. & N. P. Otis,

Elevator.

No 51,076.

Patented Nov. 21, 1865.

Fig. 3.

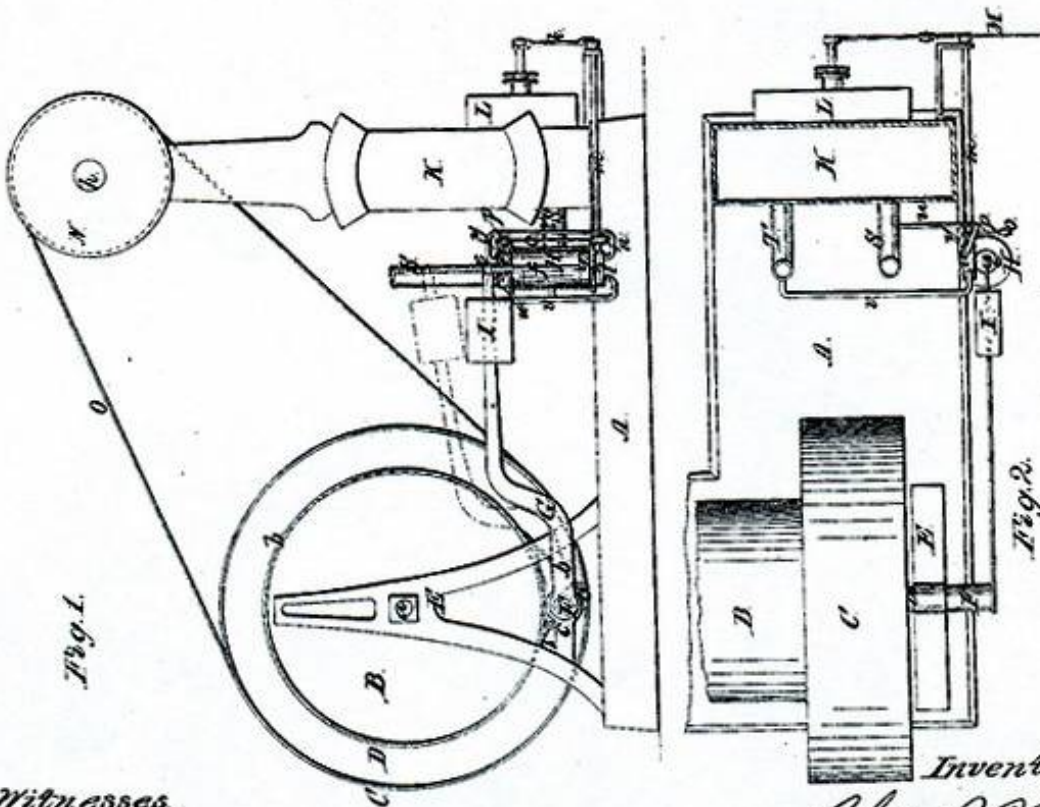
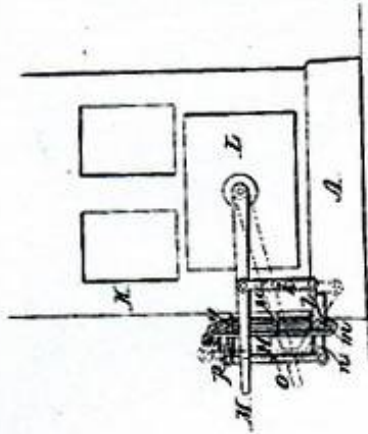


Fig. 1.

Fig. 2.

Witnesses.

J. W. Coombs
G. W. Reed.

Inventor

Chas. R. Otis
Norton, P. Otis

(No Model.)

3 Sheets—Sheet 1.

A. MILES.
ELEVATOR.

No. 371,207.

Patented Oct. 11, 1887.

Fig 1

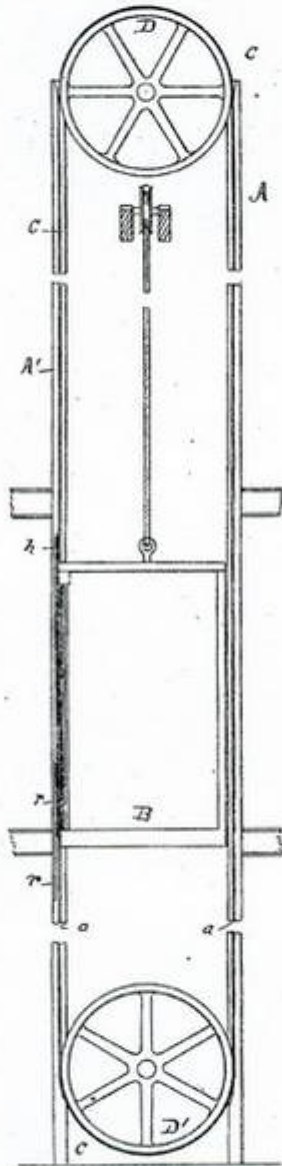
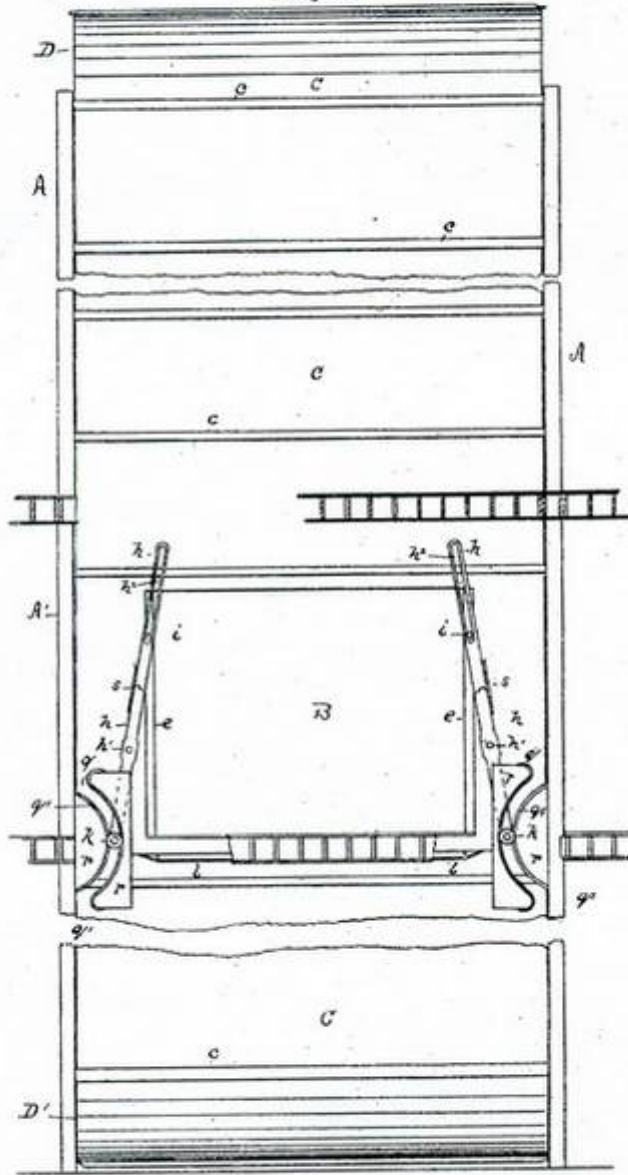


Fig 2



Witnesses

J. H. Reed
F. J. Jamu

Inventor

Alexander Miles

By his Attorney

P. H. Gunchel

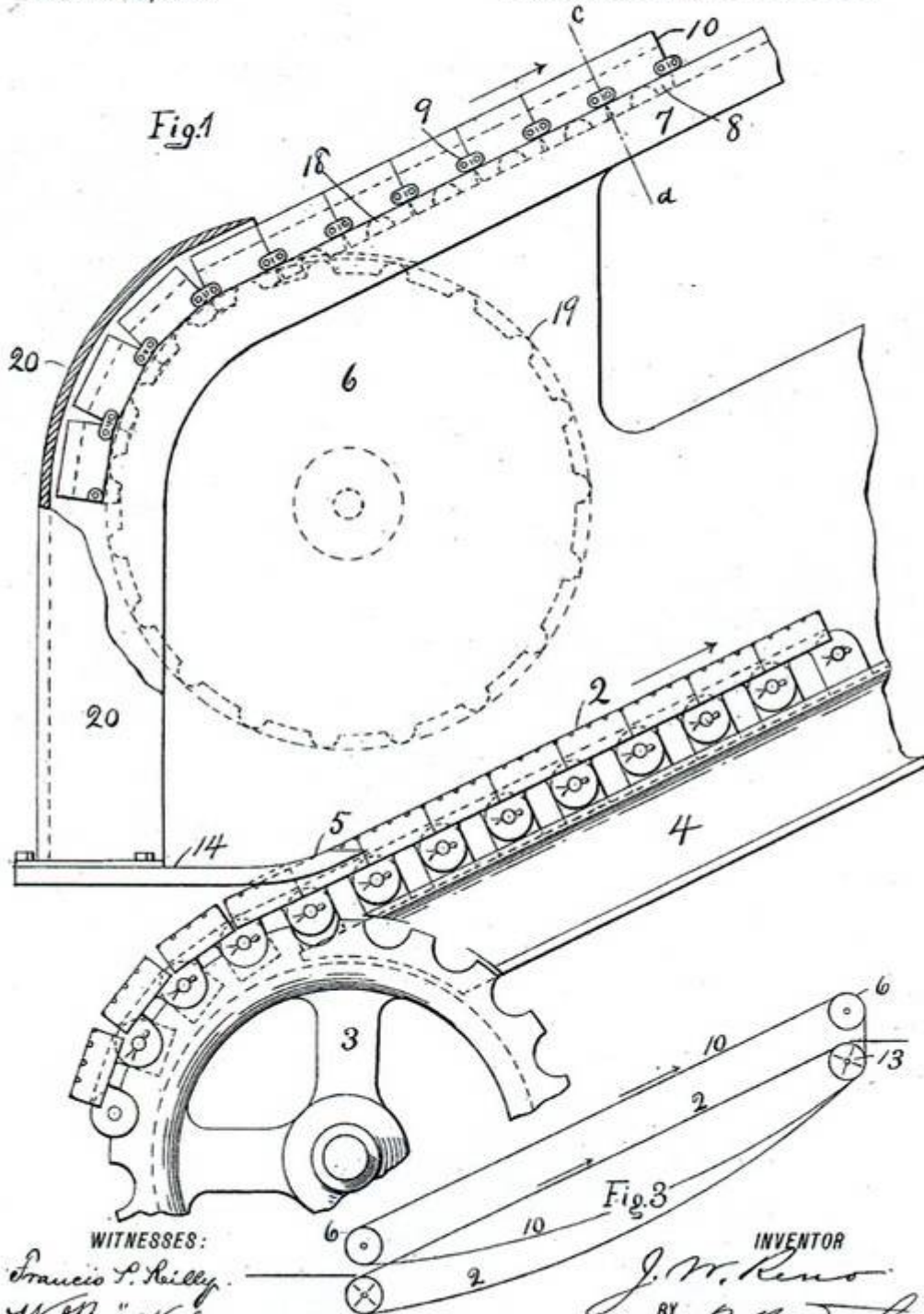
(No Model.)

2 Sheets—Sheet 1.

J. W. RENO.
ENDLESS CONVEYOR OR ELEVATOR.

No. 470,918.

Patented Mar. 15, 1892.



WITNESSES:

Francis P. Reilly,
W. H. Brückel,

INVENTOR

J. W. Reno
BY P. M. Doolittle

ATTORNEY.

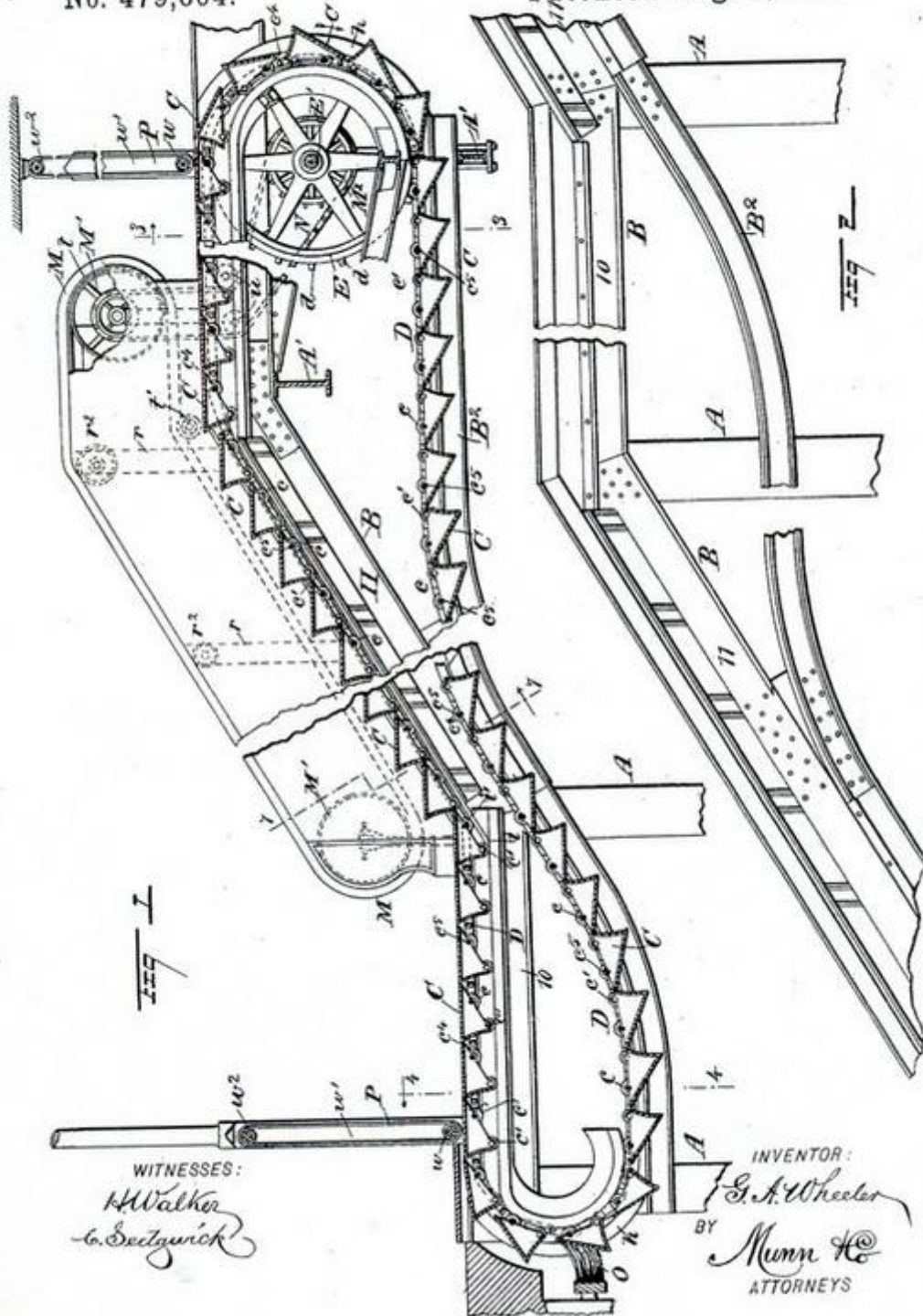
(No Model.)

5 Sheets—Sheet 1.

G. A. WHEELER.
ELEVATOR.

No. 479,864.

Patented Aug. 2, 1892.



WITNESSES:

H. Walker
C. Sedgwick

INVENTOR:

G. A. Wheeler
BY Munn & Co
ATTORNEYS

(No Model.)

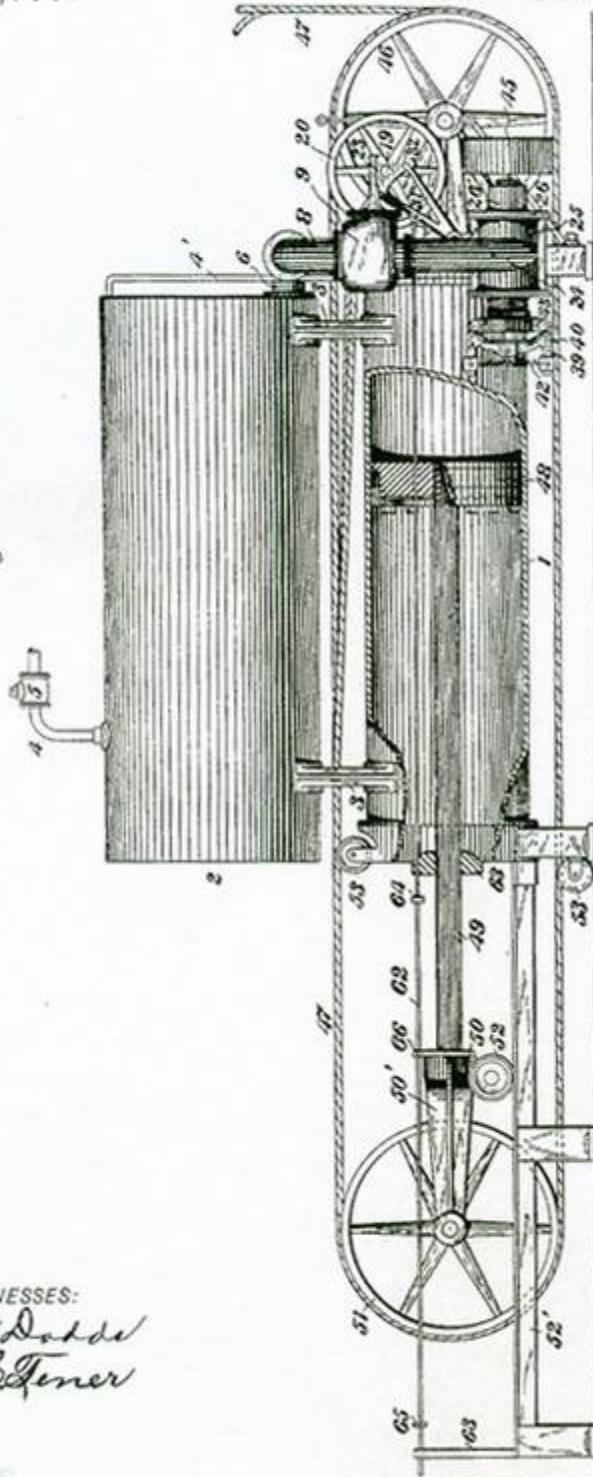
5 Sheets—Sheet 1.

G. WESTINGHOUSE, Jr.
ELEVATOR.

No. 595,007.

Patented Dec. 7, 1897.

Fig. 1.



WITNESSES:
Ethan D. Doherty
Rubert C. Tener

INVENTOR
George Westinghouse, Jr.
BY
H. C. Carr
ATTORNEY.

No. 617,778.

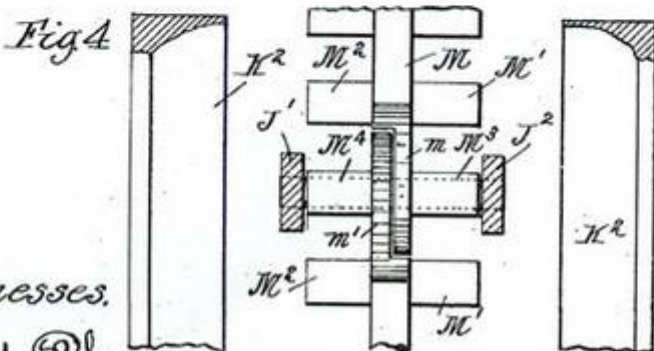
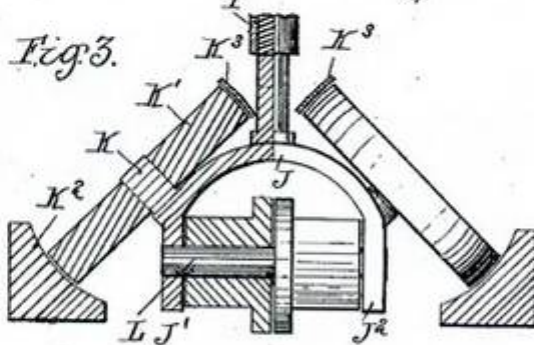
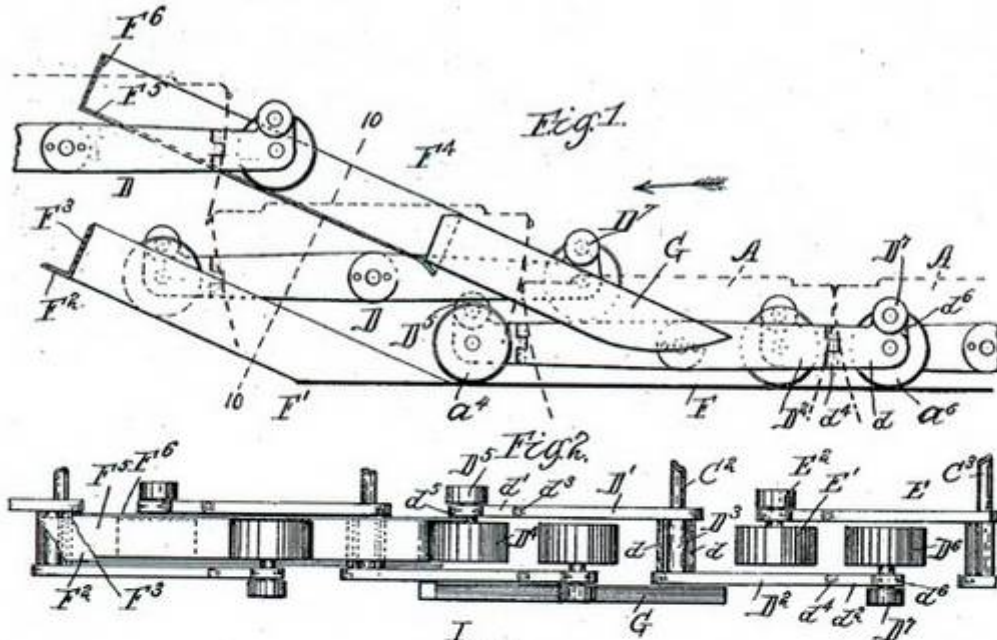
Patented Jan. 17, 1899.

C. D. SEEBERGER.
ELEVATOR.

(Application filed May 19, 1896.)

(No Model.)

4 Sheets—Sheet 1.



Witnesses.

Wm. M. Rheems
Alex. M. Kinnon

Inventor

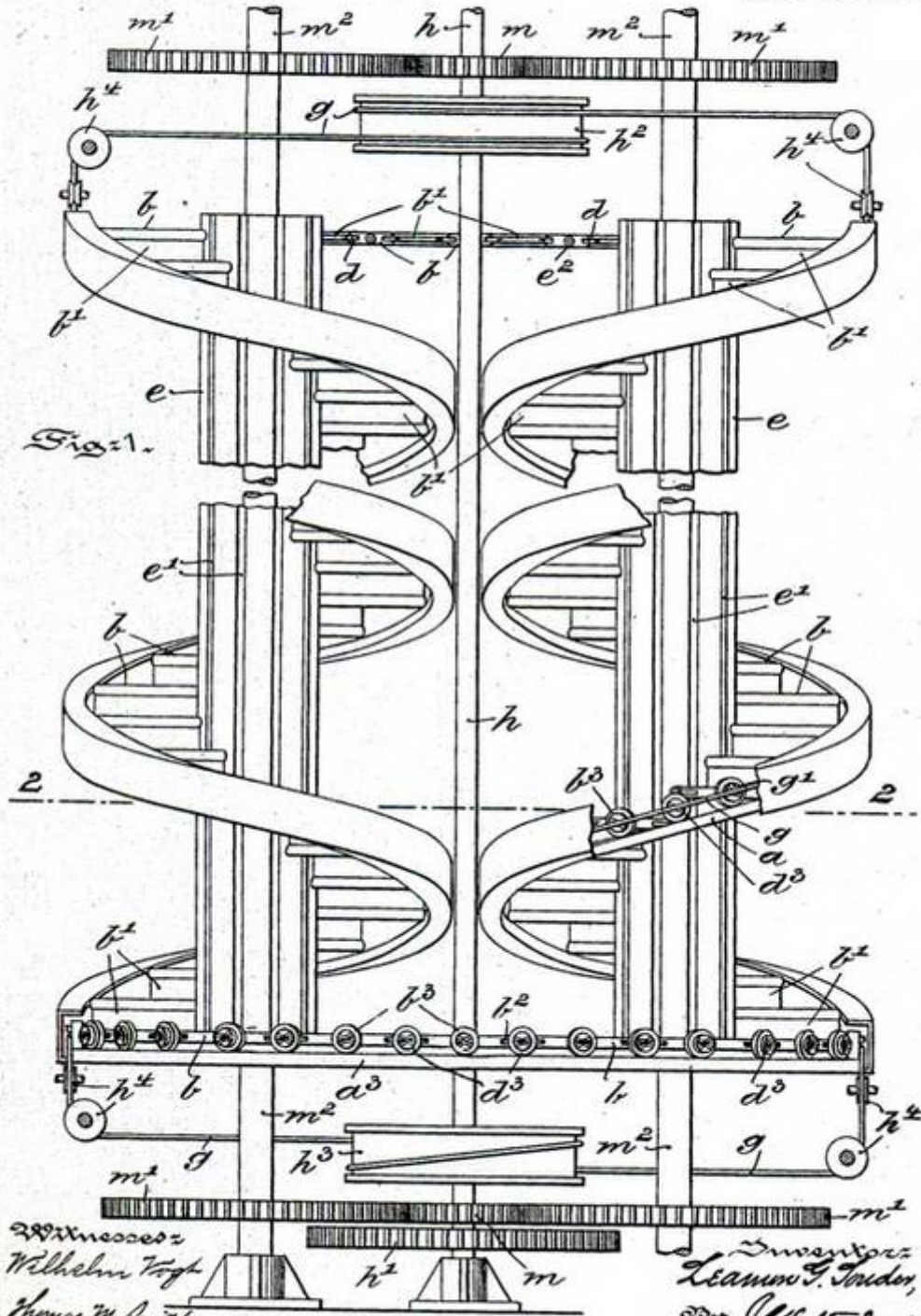
Charles D. Seeberger
Coburn & Strong, Attys

L. G. SOUDER.
MOVING SPIRAL STAIRWAY OR ELEVATOR.

APPLICATION FILED MAR. 24, 1902.

NO MODEL.

4 SHEETS—SHEET 1.



Witnesses:
Wilhelm Toepfer
Thomas M. Smith

Inventor:
L. G. Souder,
J. Walter Dwyer,
Attorney.

No. 792,623.

PATENTED JUNE 20, 1905.

L. G. SOUDER.
MOVING SPIRAL STAIRWAY OR ELEVATOR.

APPLICATION FILED OCT. 25, 1904.

3 SHEETS—SHEET 1.

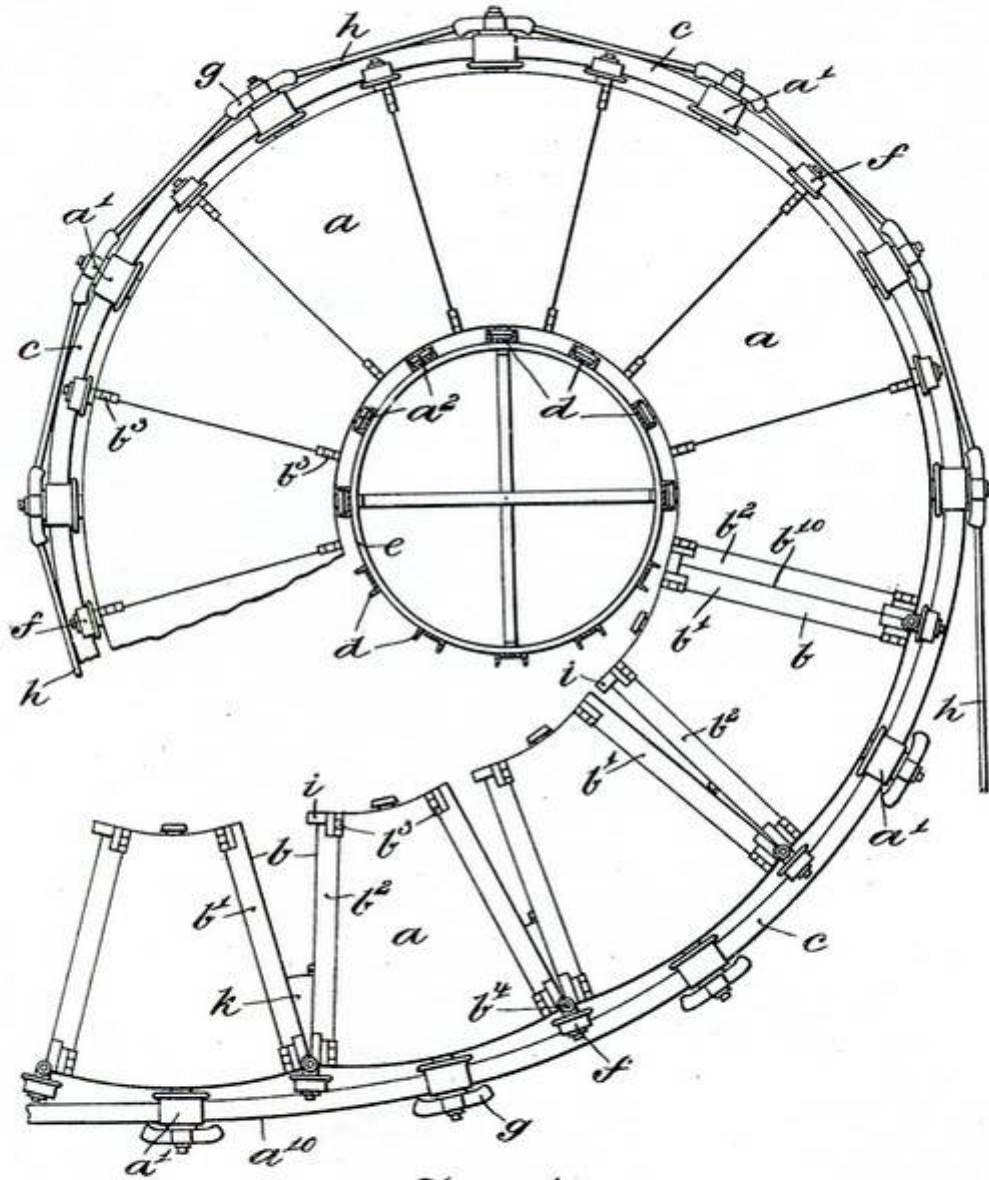


Fig. 1.

Witnesses:
Jas. C. Woburnsmith
Wilhelm Vogt

Inventor:
Lemon G. Souder,
By J. Walter Douglas
Attorneys

1,011,423.

Patented Dec. 12, 1911.

4 SHEETS-SHEET 1.

Fig. 1^a.

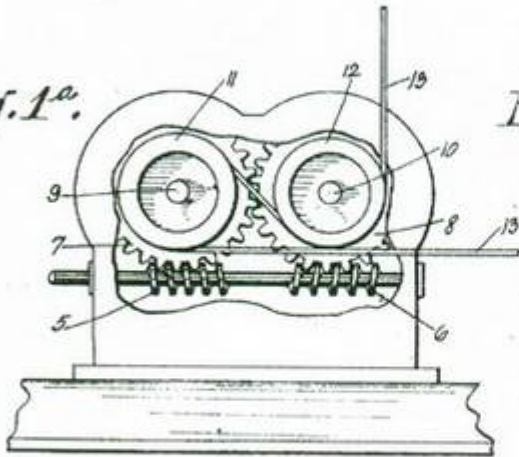
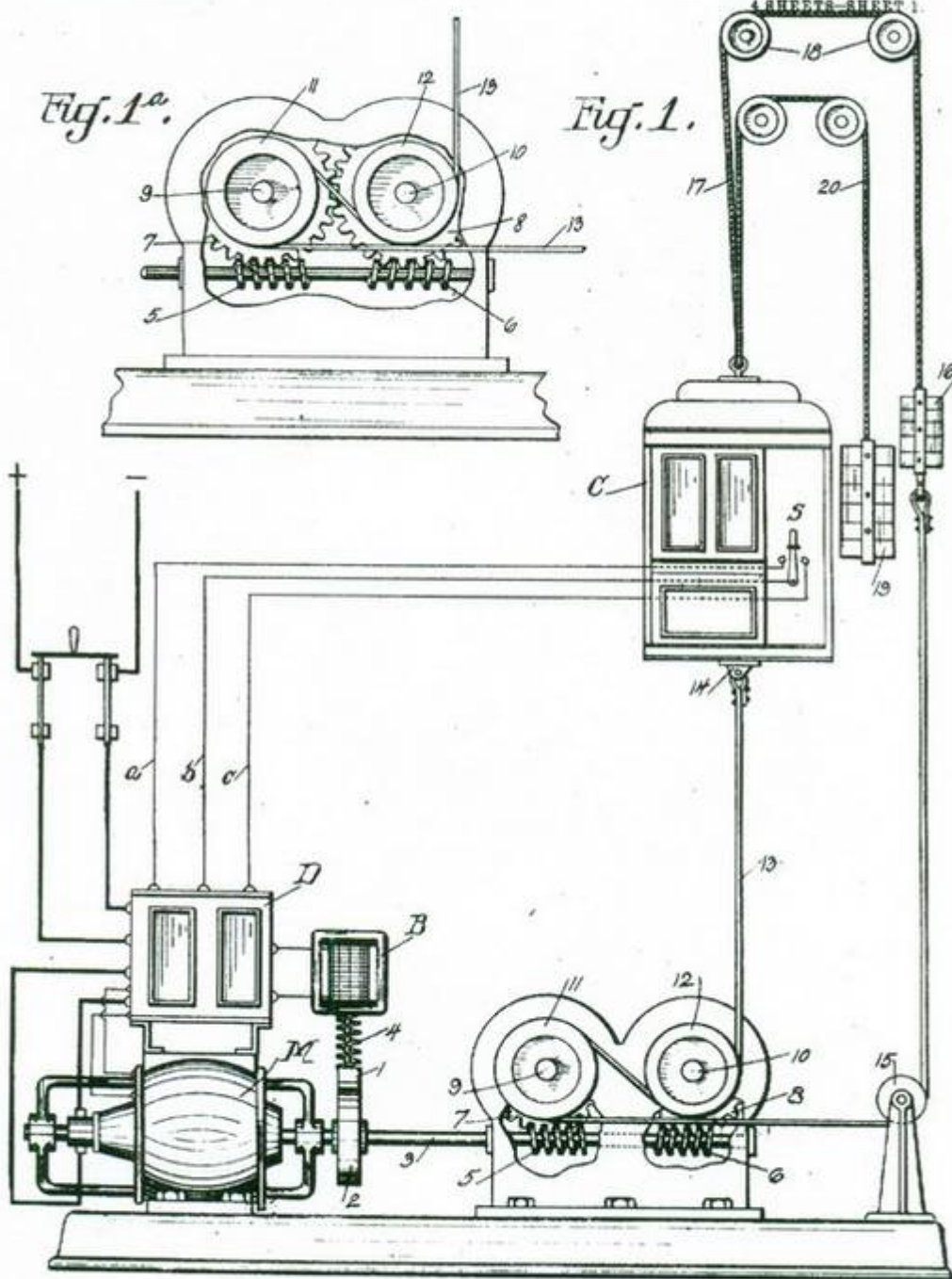


Fig. 1.



Witnesses

Ernest L. Gale, Jr.
James C. Bethell

364

Inventor
E. L. Gale, Sr.
Attorney
C. M. Nissen