

US PATENTS

FANS 1884-1946

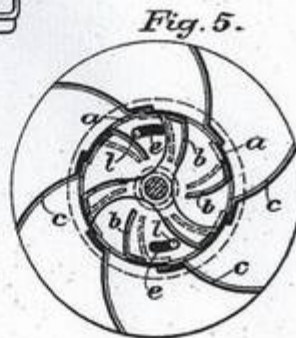
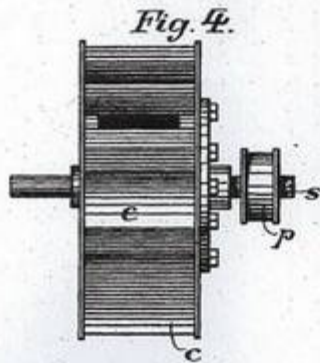
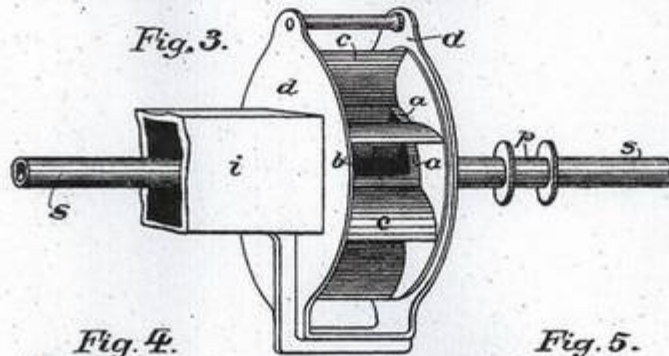
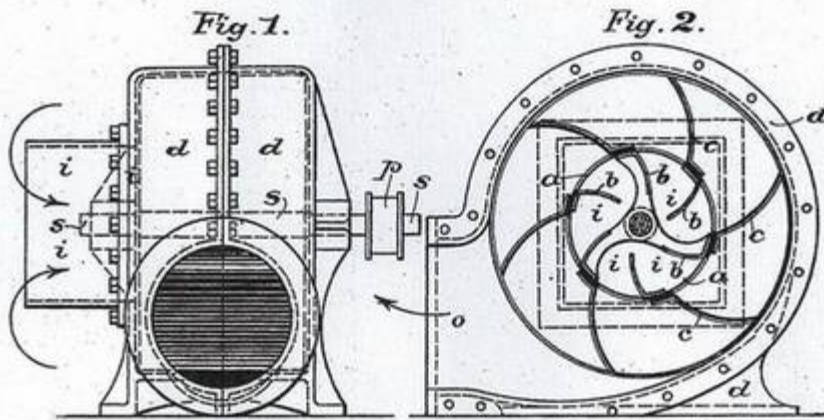
(No Model.)

G. M. CAPELL & G. S. MACBEAN.

BLAST OR EXHAUST FAN.

No. 291,493.

Patented Jan. 8, 1884.



Attest:
René Geelhaar
i. L. L. L.

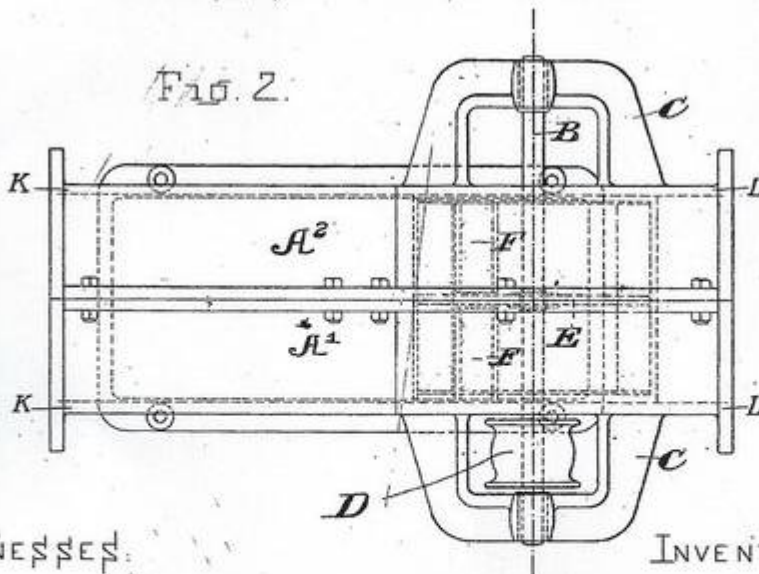
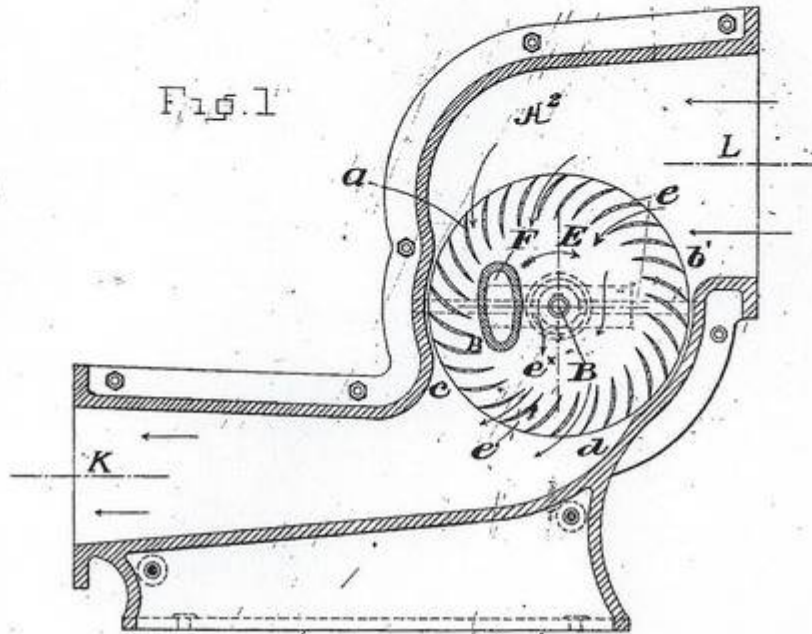
Inventors;
 George Marie Capell
 George Sengal Macbean
 by *F. W. L. S. & Co. Atty.*

(No Model.)

P. MORTIER.
FAN OR BLOWING APPARATUS.

No. 507,445.

Patented Oct. 24, 1893.



WITNESSES:

S. L. Wood

Leocadia M. Leman

INVENTOR.

Paul Mortier

By his attorney

Edward P. Thompson

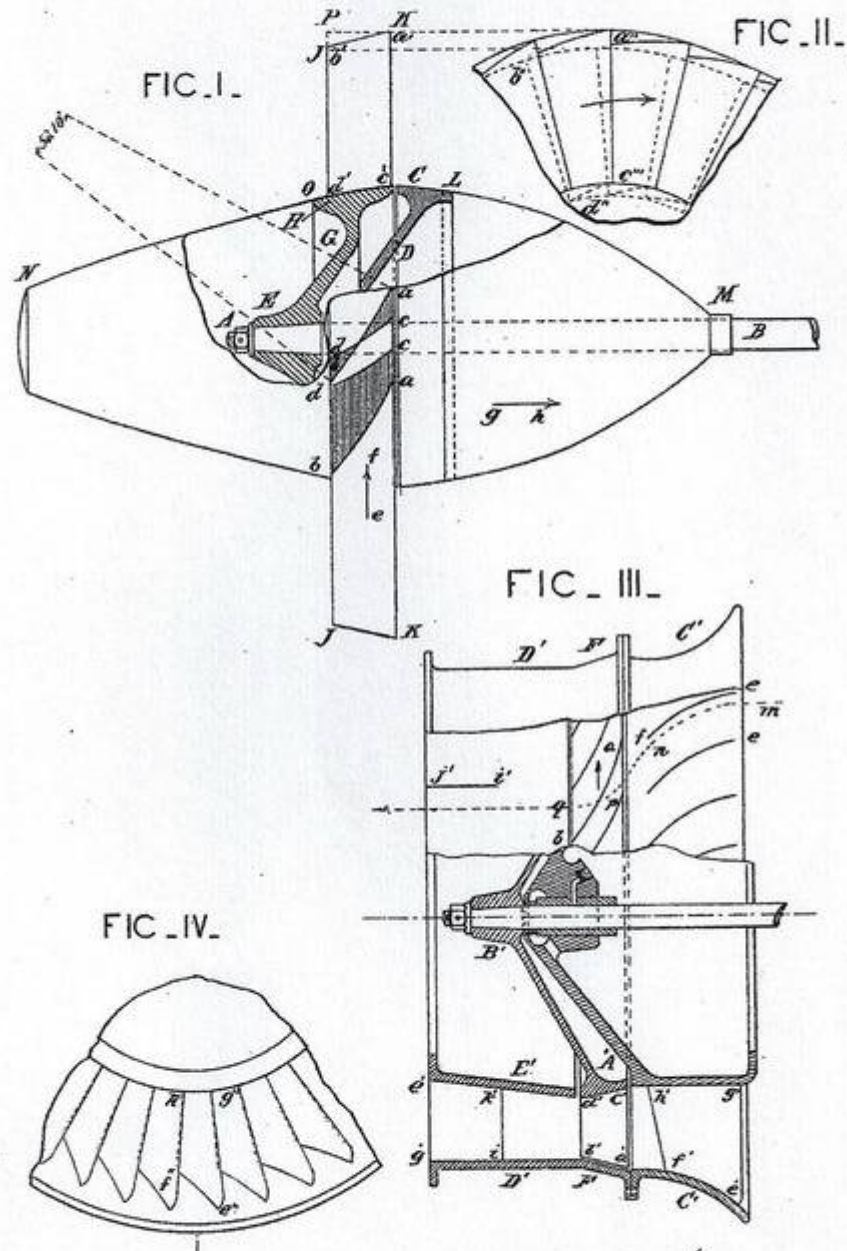
(No Model.)

2 Sheets—Sheet 1.

C. E. A. RATEAU.
PROPELLER OR BLOWER.

No. 500,080.

Patented June 20, 1893.



Attest
Arthur D. Cal.
Geo Lewis.

Inventor:
Camille Edmond Auguste Rateau
by Pollock & Mauvo
his attorneys.

No. 839,273.

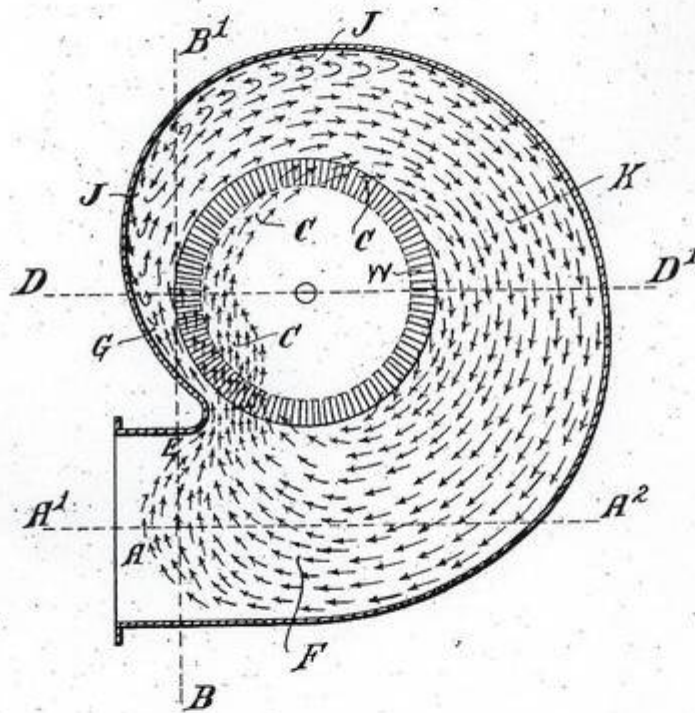
PATENTED DEC. 25, 1906.

S. C. DAVIDSON.
CENTRIFUGAL FAN OR PUMP AND CASING THEREFOR.

APPLICATION FILED JULY 1, 1905.

4 SHEETS—SHEET 1.

FIG. 1.



WITNESSES:

Fred White
Rene M. M. M. M.

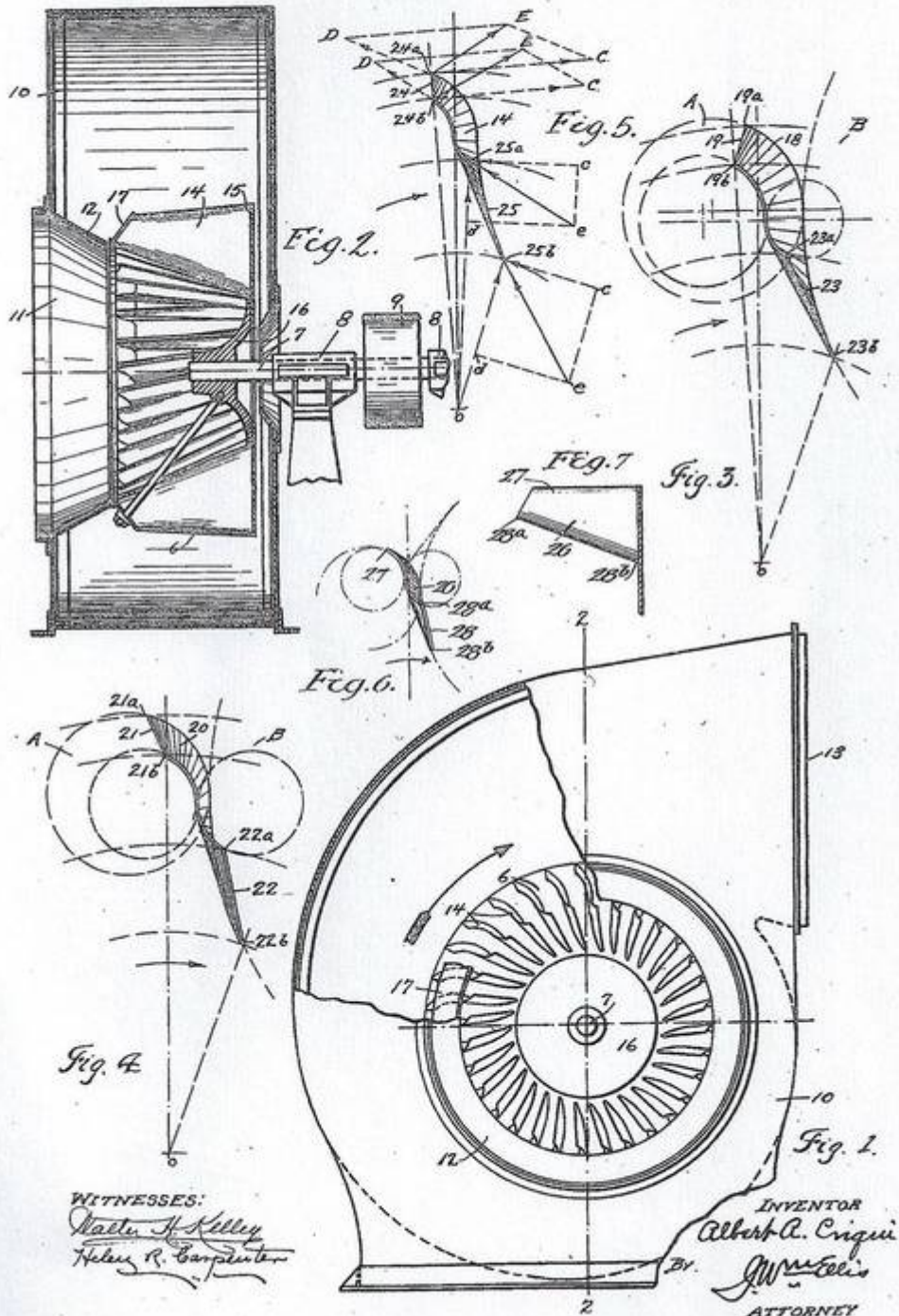
INVENTOR:

Samuel Cleland Davidson,
By his Attorneys
Arthur C. Draser & Co.

A. A. CRIQUI.
CENTRIFUGAL FAN.
APPLICATION FILED SEPT. 3, 1914.

1,161,926.

Patented Nov. 30, 1915.



WITNESSES:
Walter H. Kelley
Henry R. Carpenter

INVENTOR
Albert A. Criqui
BY *W. H. Kelley*
ATTORNEY

Feb. 23, 1932.

H. F. HAGEN

1,846,863

PAN AND METHOD OF OPERATING THE SAME

Filed Aug. 4, 1927

3 Sheets-Sheet 1

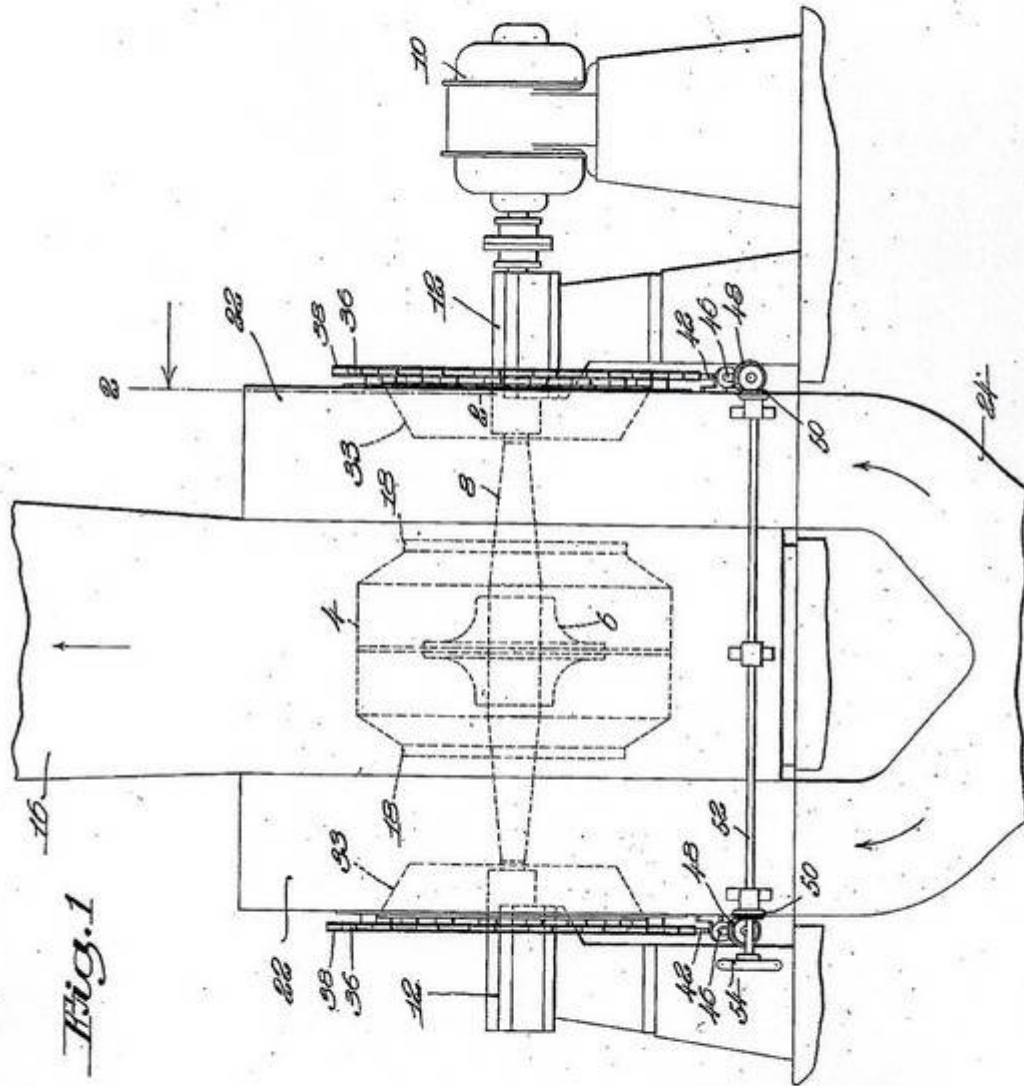


Fig. 1

Witness

Frederick S. DeWitt

Inventor

Harold F. Hagen
by his Attorneys
Van Suren, Fish, Fildewitz & Co.

Jan. 29, 1935.

H. F. HAGEN

1,989,413

CENTRIFUGAL FAN

Filed Oct. 31, 1929

2 Sheets-Sheet 1

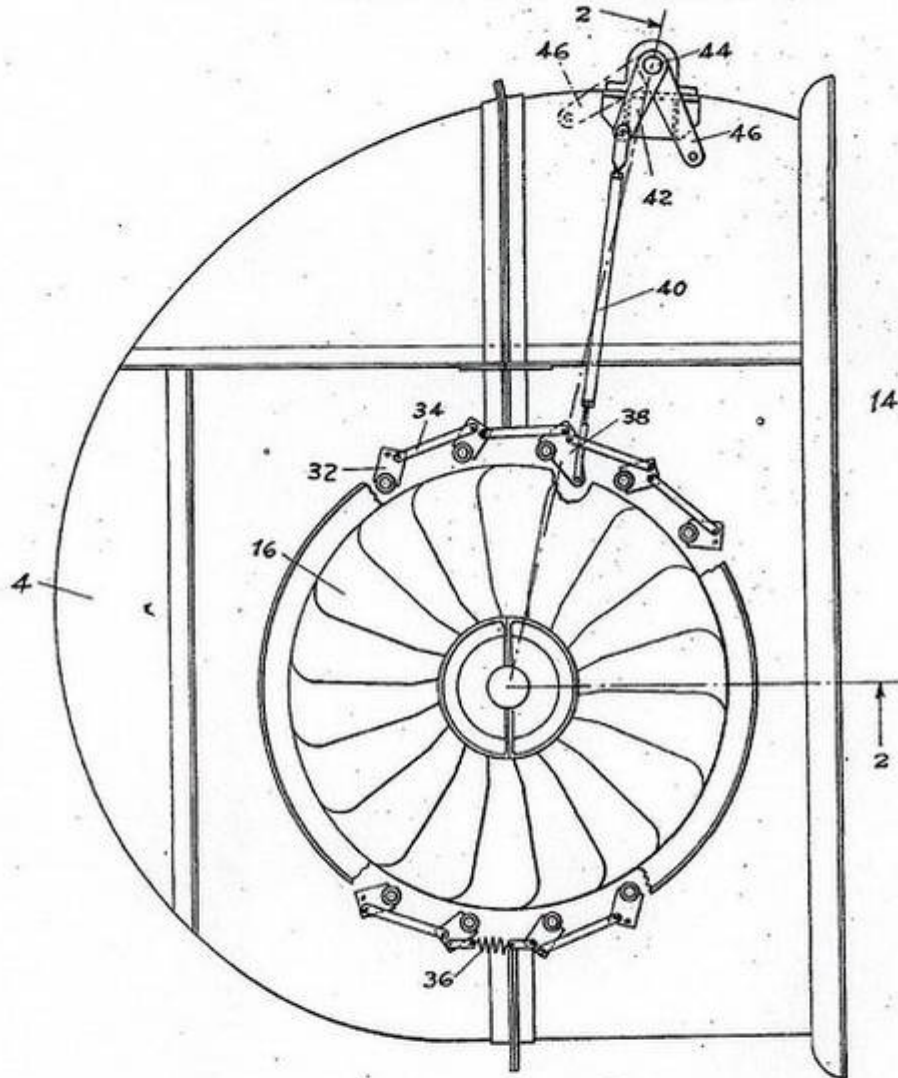


FIG 1

INVENTOR

Harold F. Hagen

By

Van Greenwich Filditch Hany

ATTORNEYS

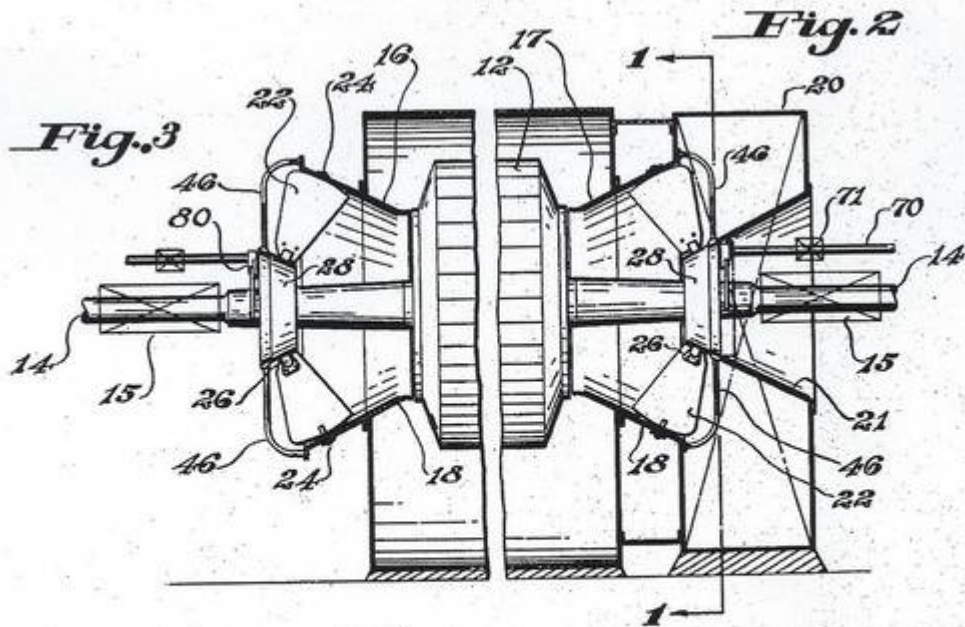
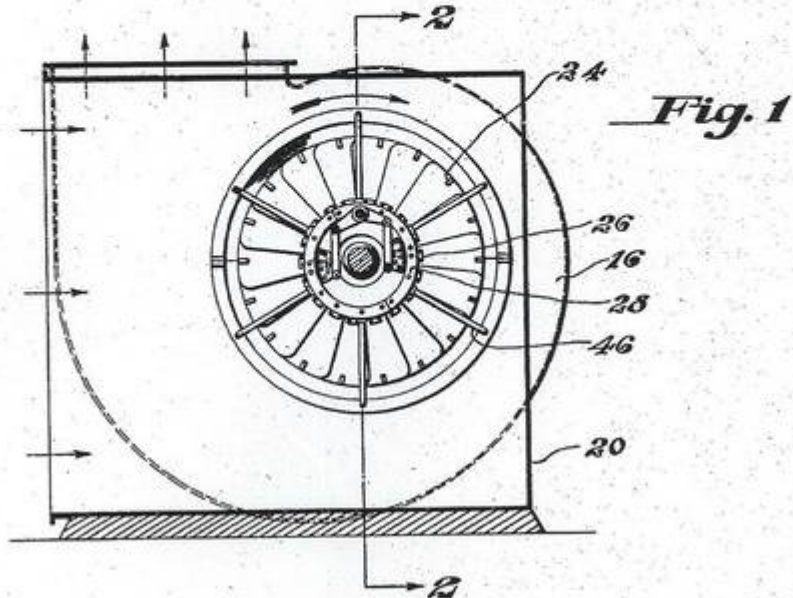
Nov. 30, 1937.

W. H. HOWDEN

2,100,481

FAN

Original Filed Jan. 26, 1933 3 Sheets-Sheet 1



Witness

Paul F. Bryant

Inventor

*William Hay Howden
by his attorney
Van Dusen, Fish, Kilduff & Kary*

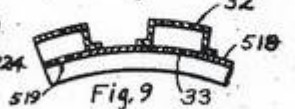
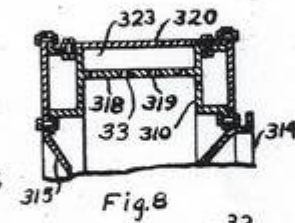
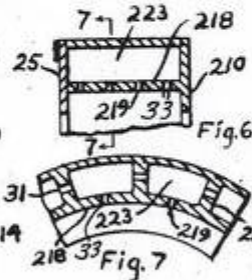
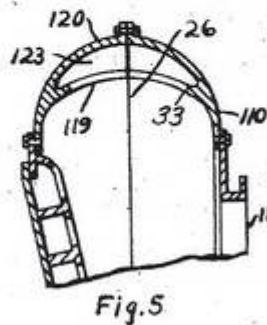
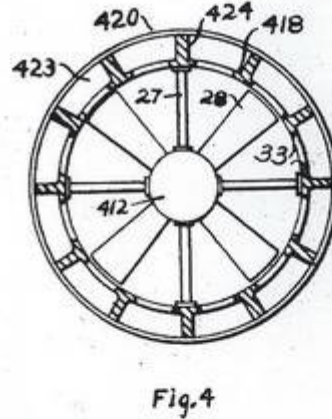
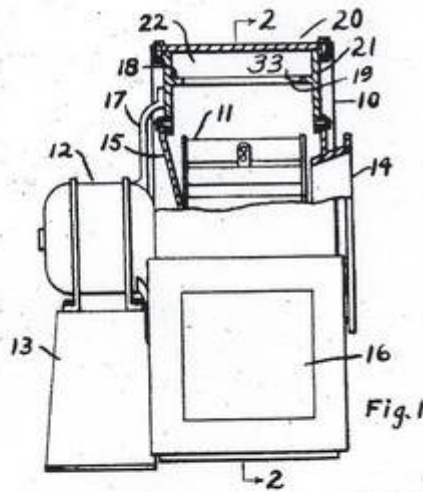
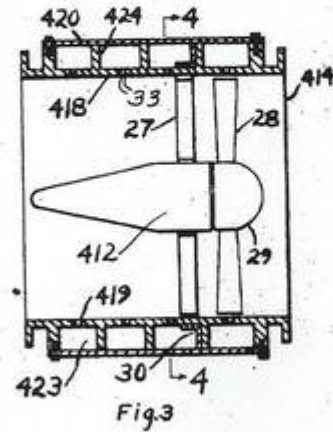
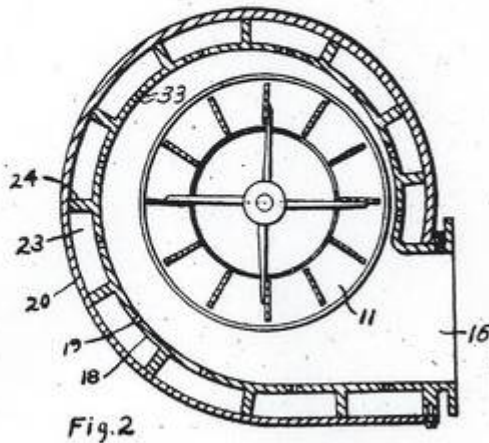
Dec. 17, 1940.

C. M. HAMBLIN

2,225,398

CONSTRUCTION OF VENTILATING FANS

Filed Sept. 13, 1939



C.M. HAMBLIN
INVENTOR

BY *William Jones*
ATTORNEY

Jan. 15, 1946.

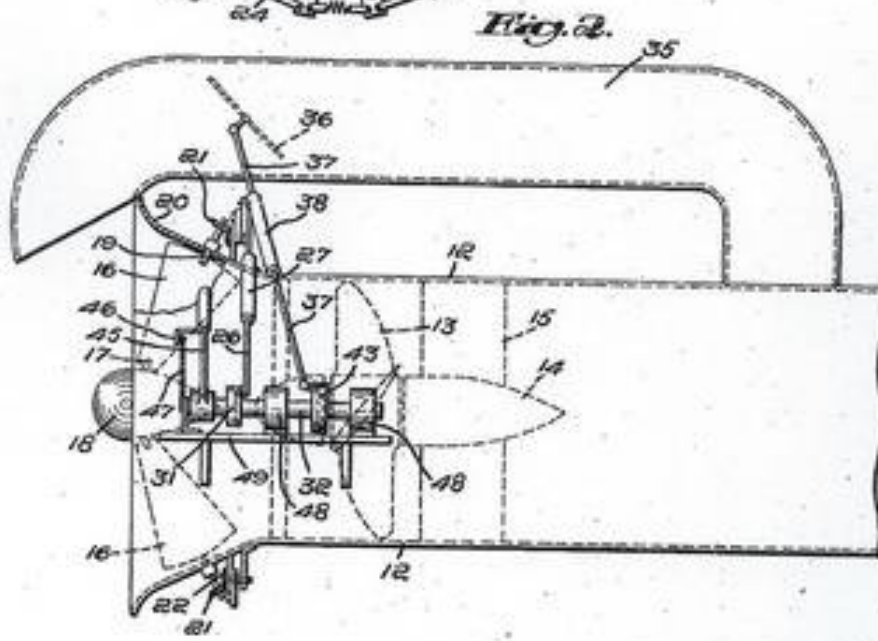
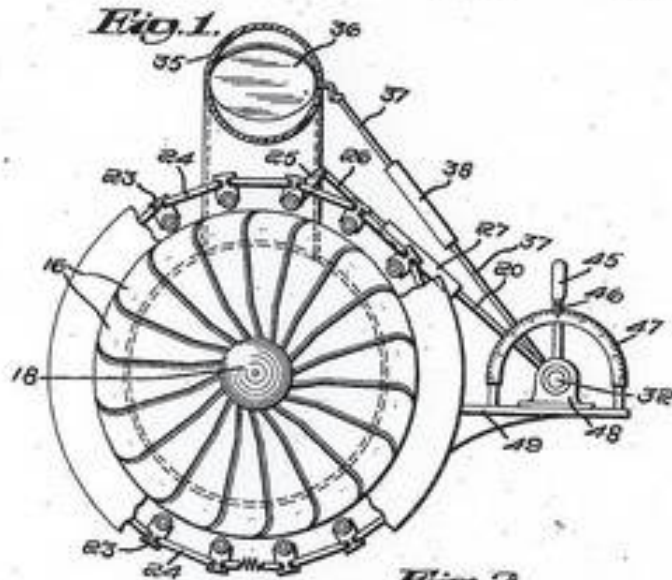
H. F. HAGEN

2,393,042

AXIAL FLOW FAN

Filed Jan. 16, 1943

4 Sheets-Sheet 1



Inventor:
Harold F. Hagen,
by Robert J. Salomon
Attorney