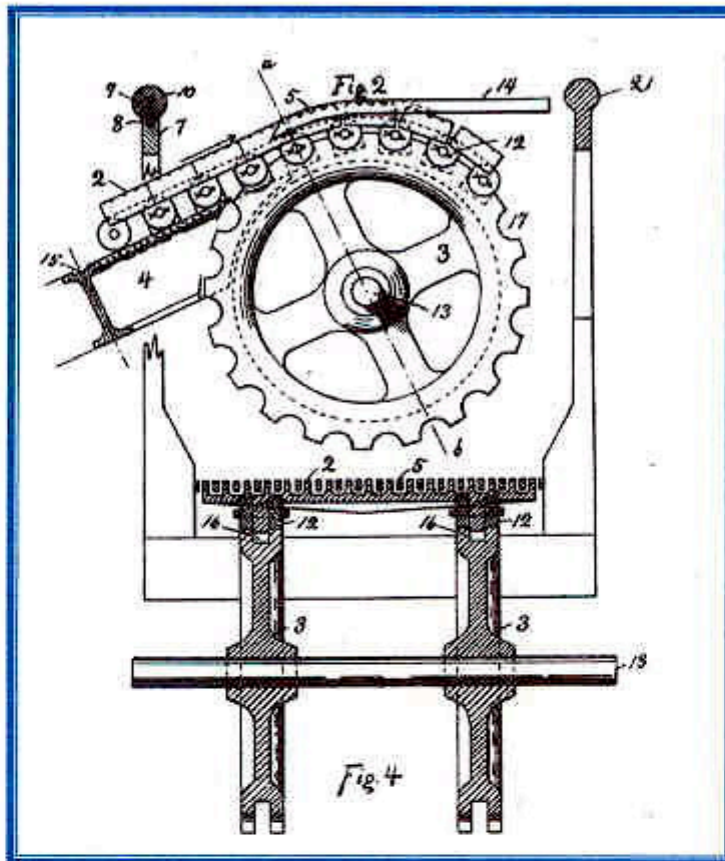
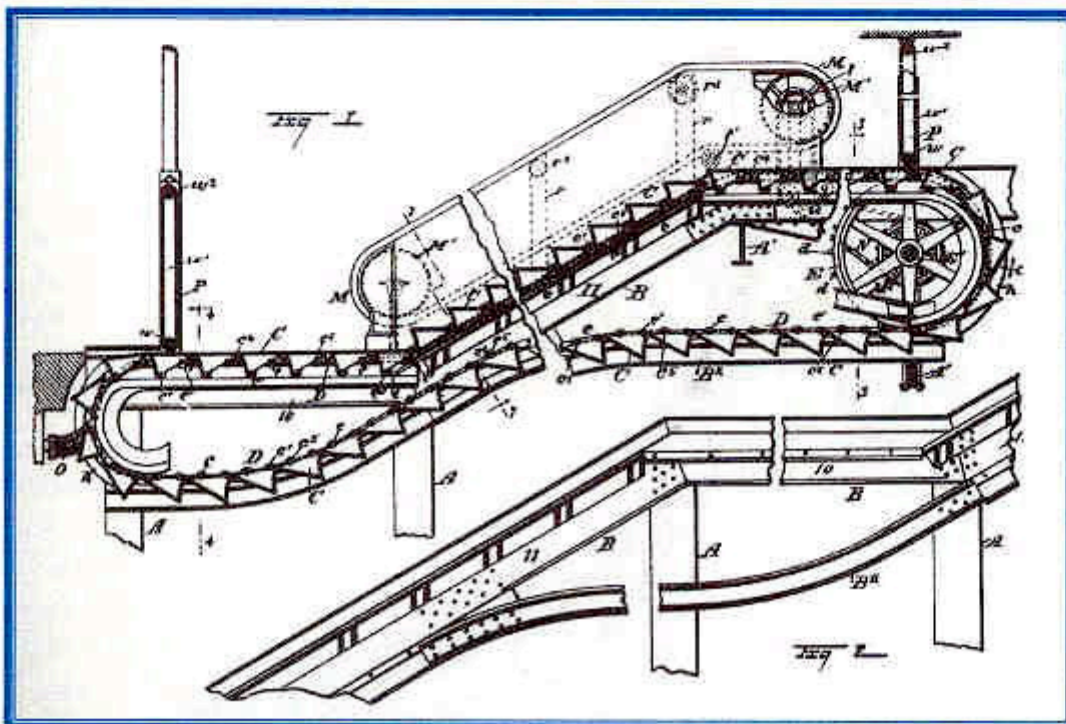


ESCALATORS



Reno patent USP 470,918, 1892



Wheeler patent USP 479,864, 1892

ESCALATORS

HARRODS, Limited, Brompton Road, London, S.W.

THE "MOVING STAIRCASE,"

NOW RUNNING DAILY FOR THE CONVENIENCE OF CUSTOMERS.



PRESS QUOTATIONS.

"MORNING POST."

"A remarkable substitute for the ordinary lift or elevator, which is quite a novelty in this country. . . . There need never be any of those vexatious waits which occur when an ordinary lift is in use."

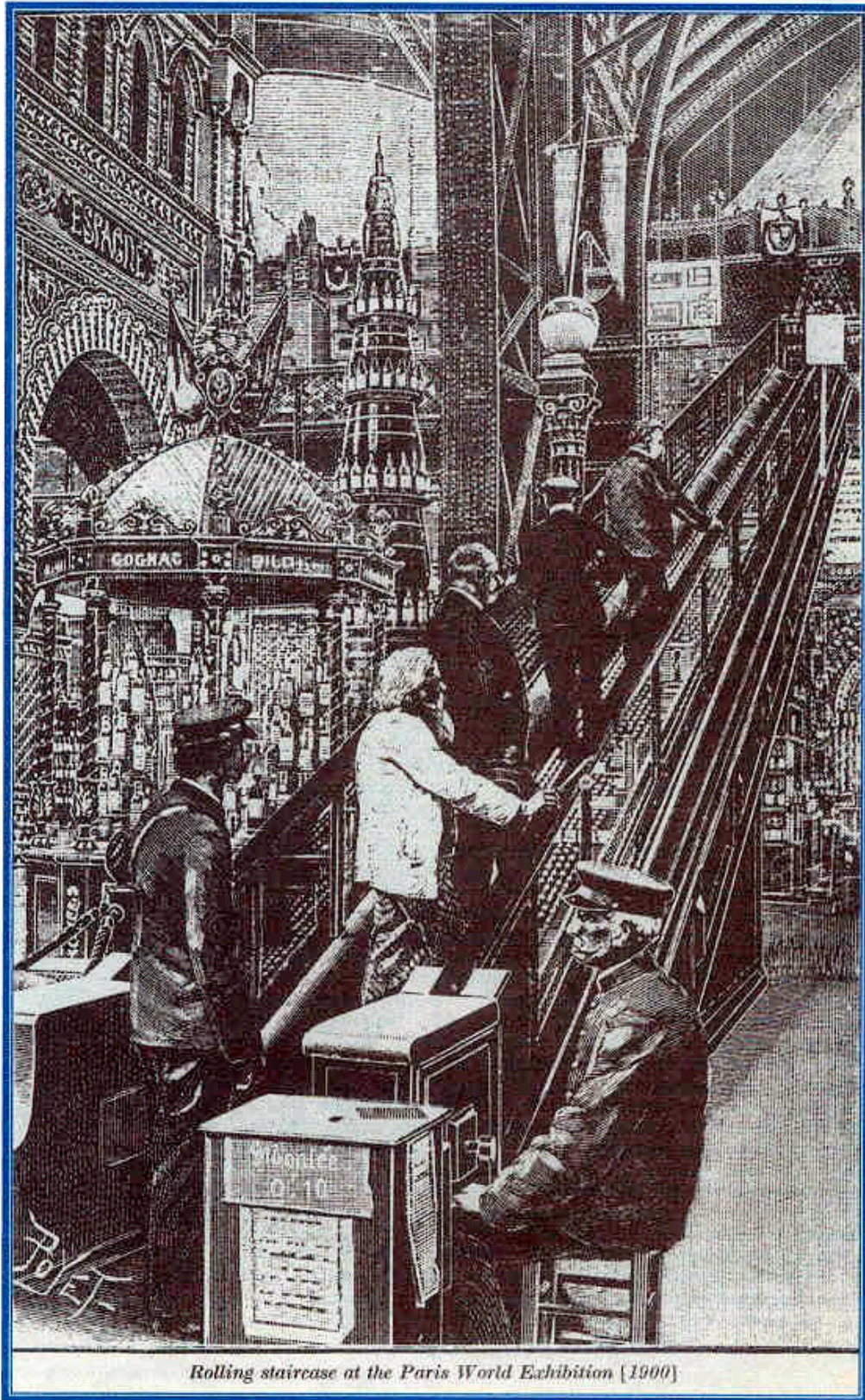
"SKETCH."

"By a delightful movement which is both exhilarating and fascinating, you are carried from floor to floor without the least effort, and without any of those unpleasant thrills which lifts always succeed in giving to nervous persons. . . . I think they will find it so popular that there will scarcely be a Store or a great trading business in London that will not be glad to institute the same invention."

"WAREHOUSEMAN AND DRAPER"

"There can be no doubt the usefulness of the lift, and they should soon be in general use in railway stations, public buildings, hotels, warehouses &c."

ESCALATORS

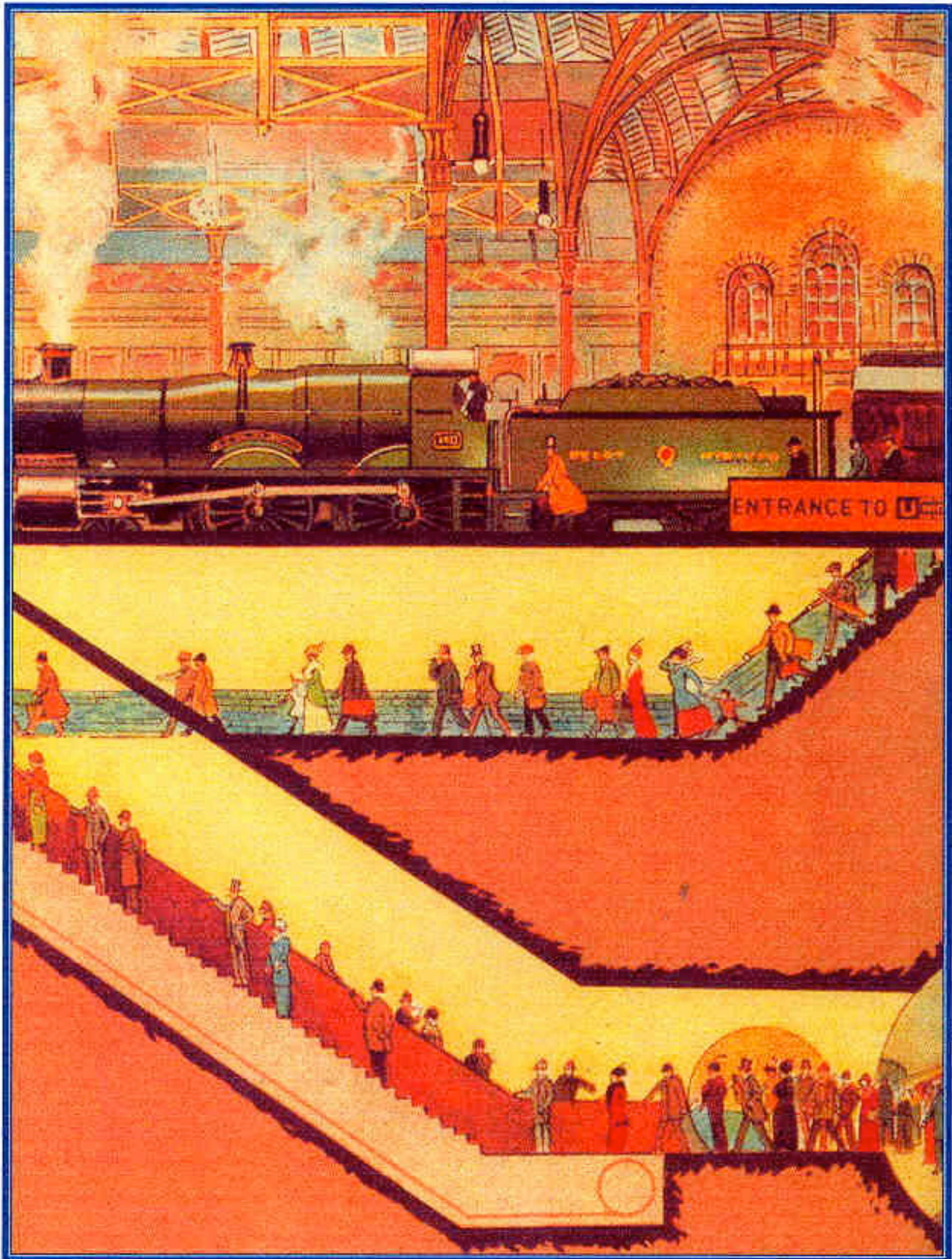


ESCALATORS



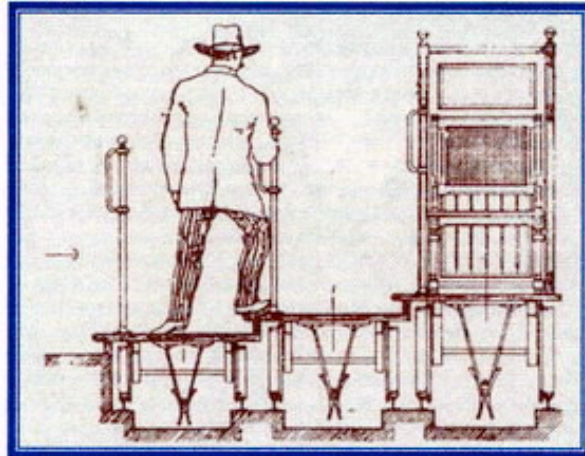
Wheeler patent [*Cassier's Magazine*, March 1904]

ESCALATORS



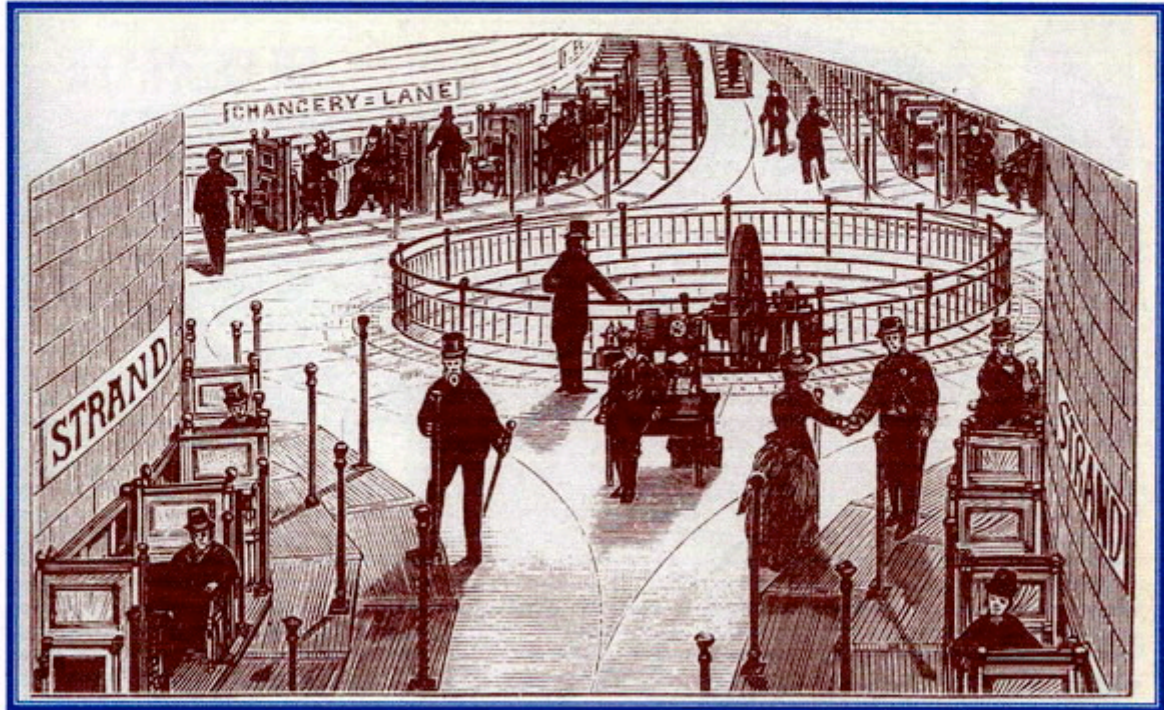
Escalators at Paddington New Station, London, 1913 [UA, 24]

MOVING WALKWAYS



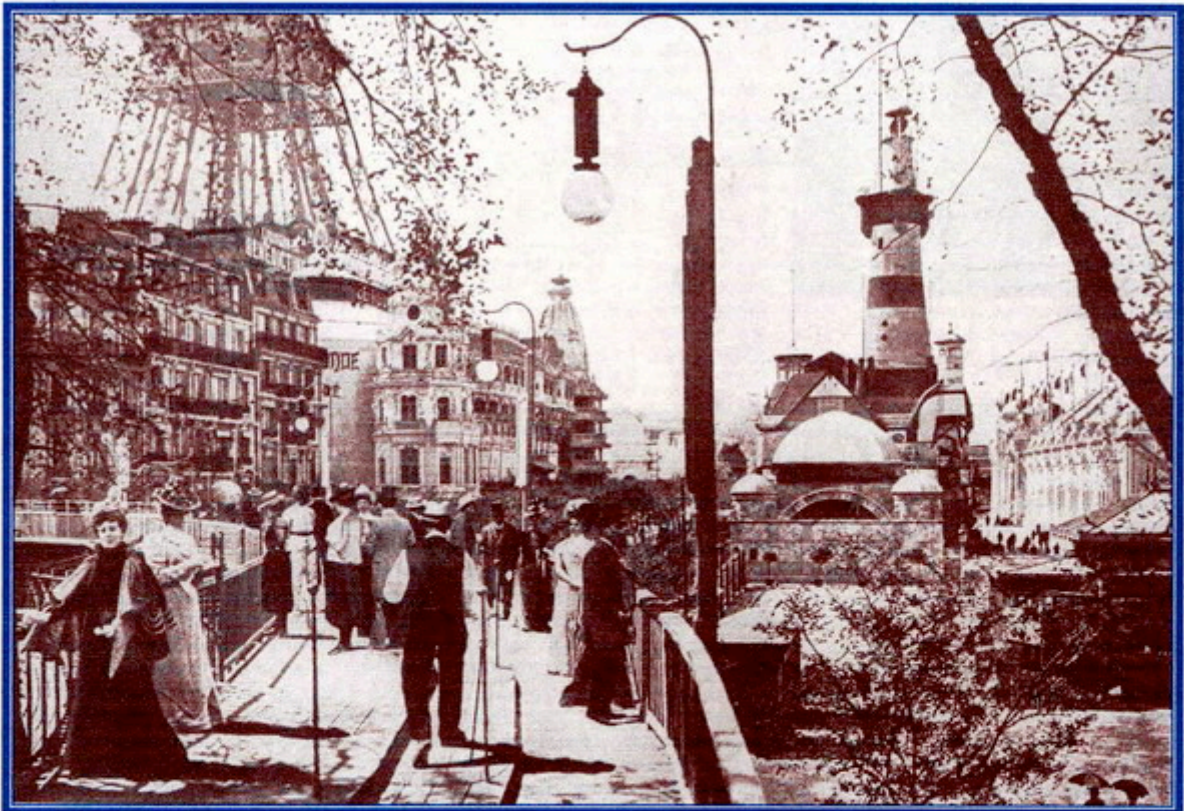
Proposal for a Stepped Platform Railway for (possibly) New York
[*Scientific American*, 26, iv, 1890]

MOVING WALKWAYS



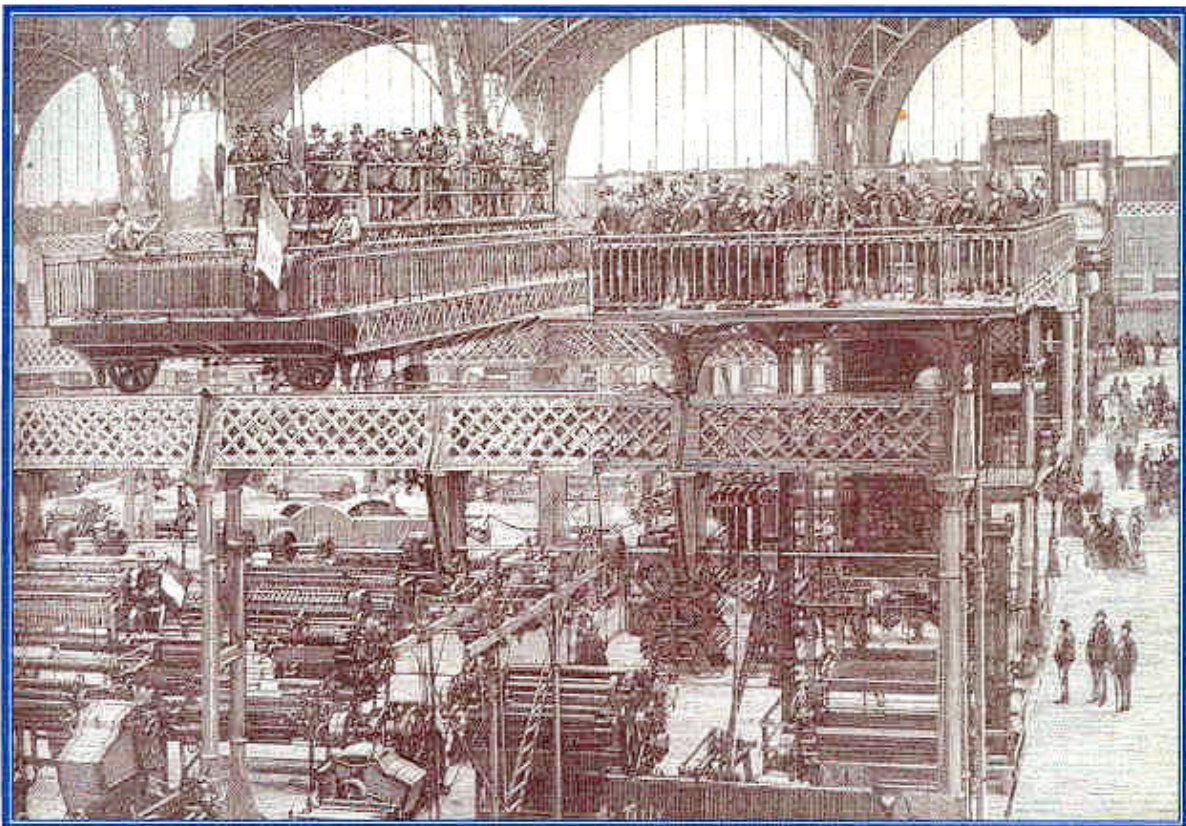
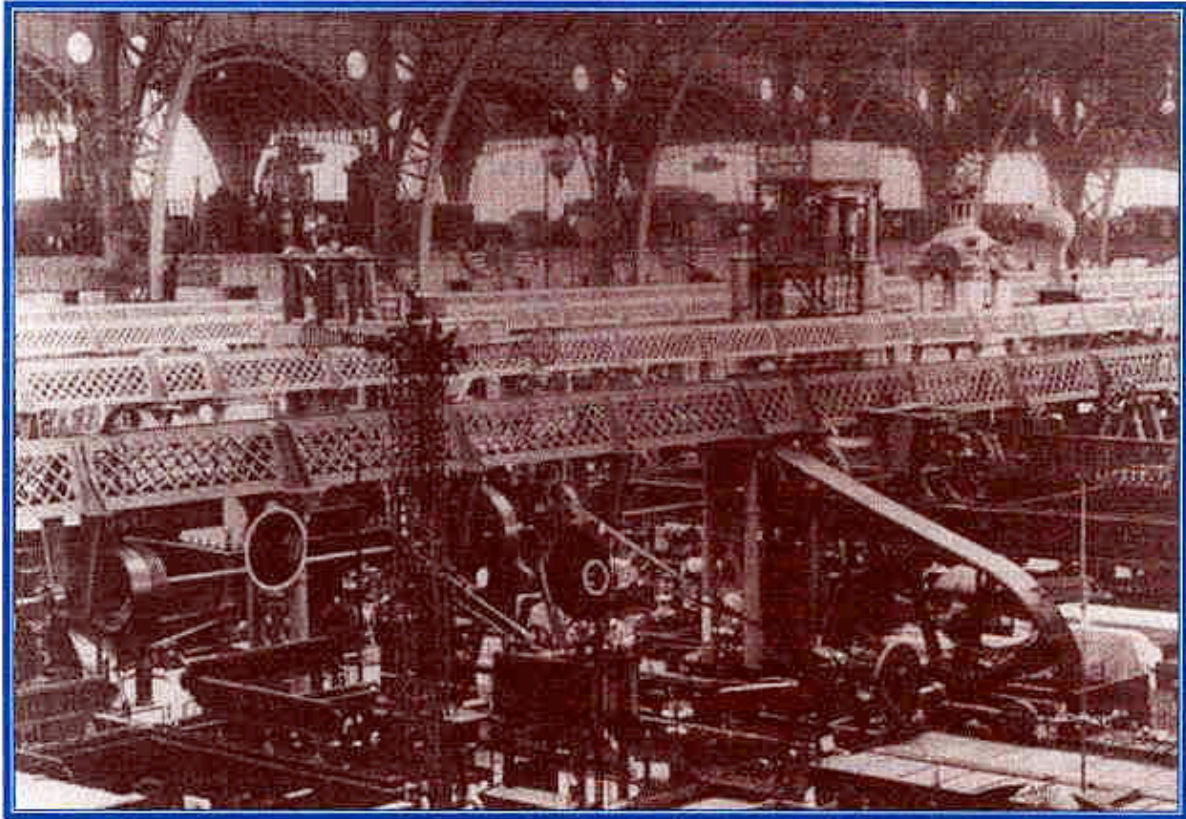
Proposal for a Stepped Platform Railway in London. 1890 [VI, 37]

MOVING WALKWAYS



The moving walkway at the Paris Exhibition, 1900 [RPY, 222]

TRAVELLING GANTRIES



Travelling gantry, Palais des Machines, Paris, 1889 [PDM, 23]